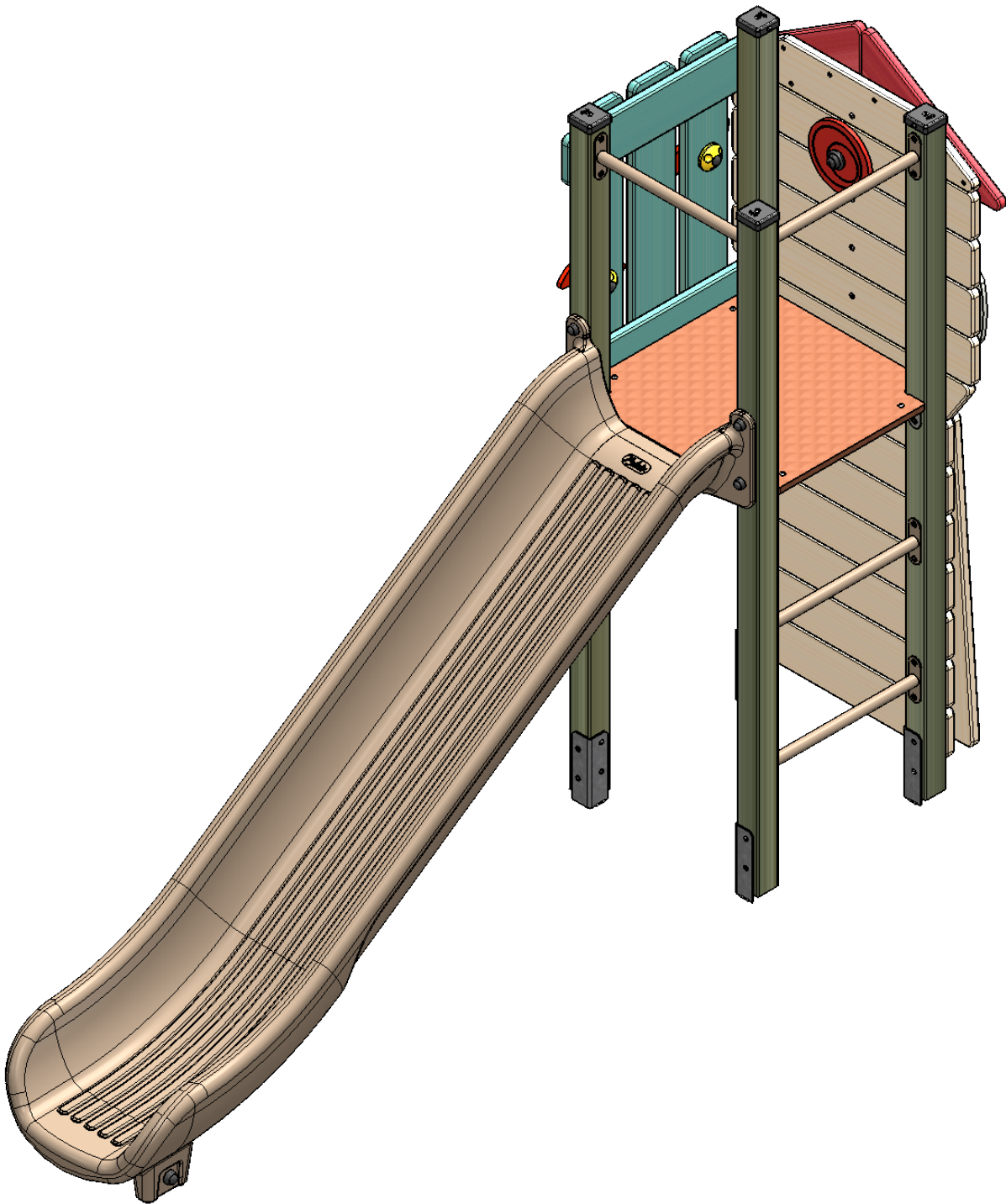


J5841

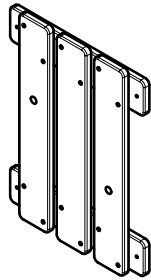
Pro ludic



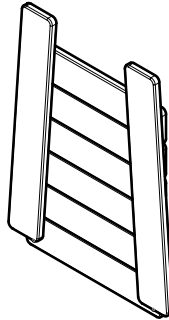
4x
B5801



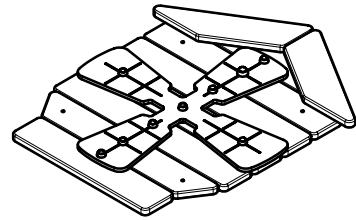
1x
U58100



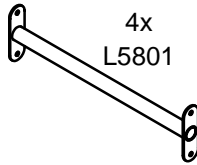
1x
U5824



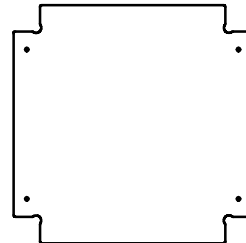
1x
U5825



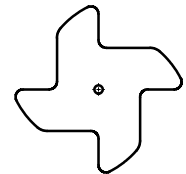
4x
L5801



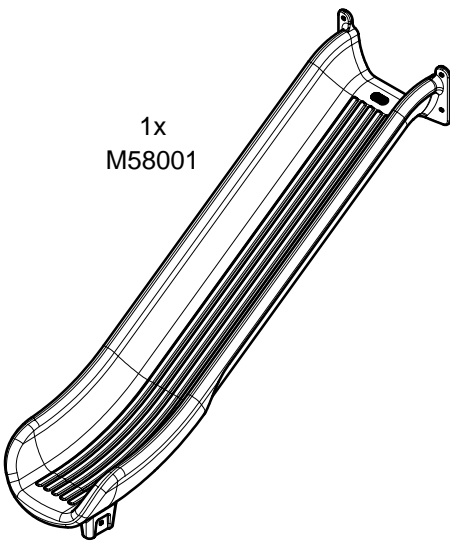
1x
F5805



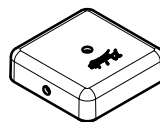
2x
ET5861RC



1x
M58001



4x
M68x68



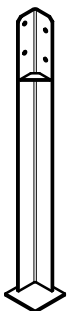
4x
P30



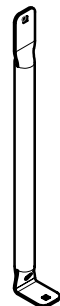
2x
MI323J



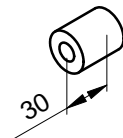
4x
LG5800



2x
LG08



2x
MU3908



LA000	1
MI0002	1
M8310N	4
M8440N	4
M10310N	4
M10440N	6
VEFM10	2
VWT6*50	4
VR10*40	4
VTH10*80	2
VBT7*60	50
VCBHCM10*20I	2
VCBHCM8*30I	4
VEFM8	4
VBT6*35	8



N°		
1	1 m	6.5 m ²
2	1.17 m	13.5 m ²

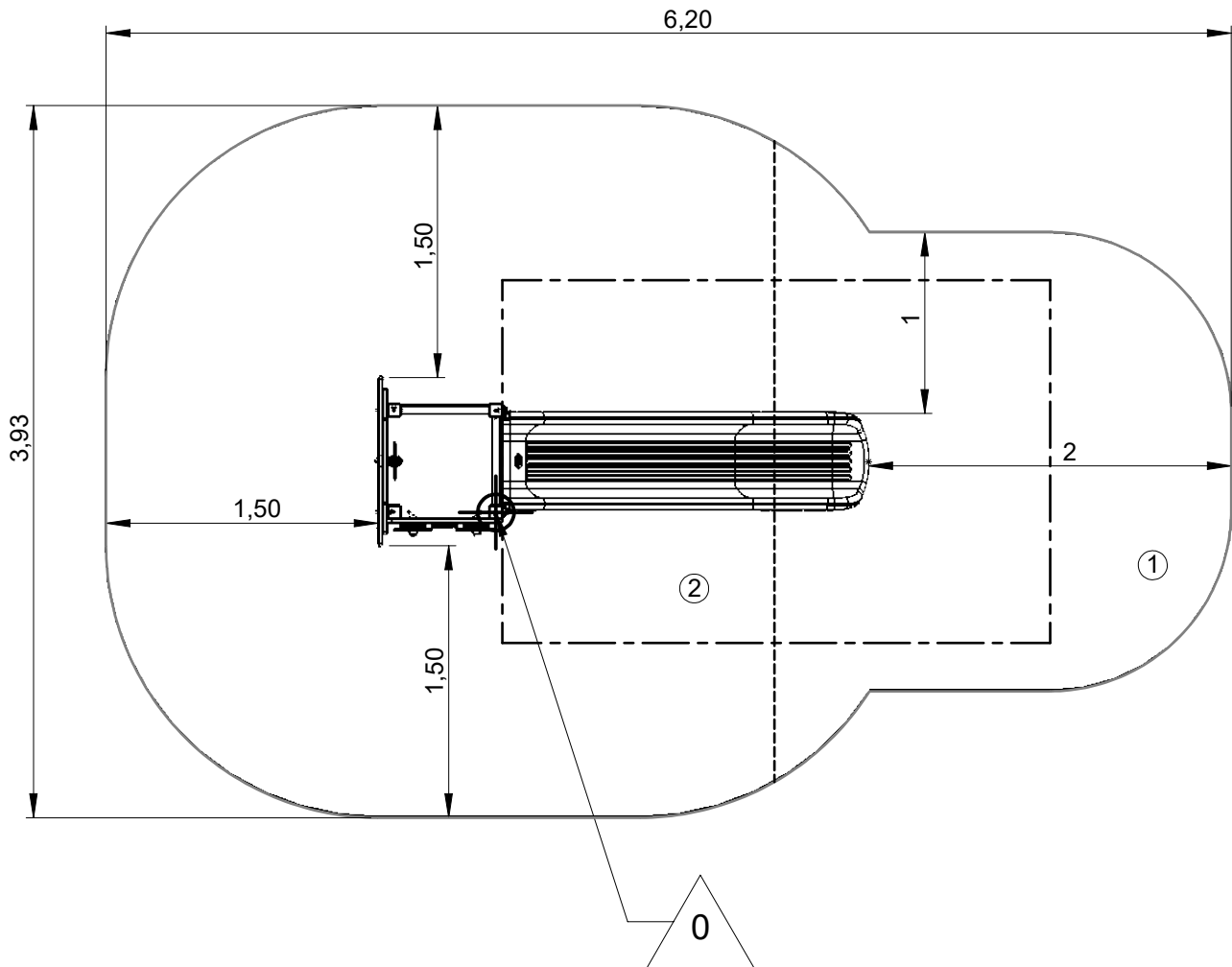
— Zone d'impact
Impact area
Area de impacto
Fallraum
Valzone

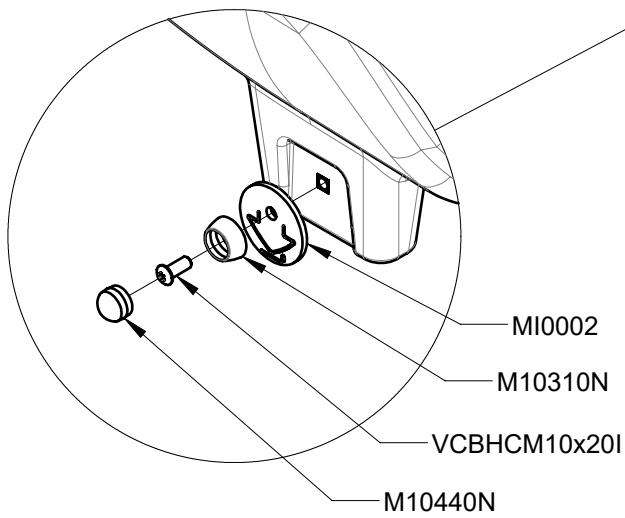
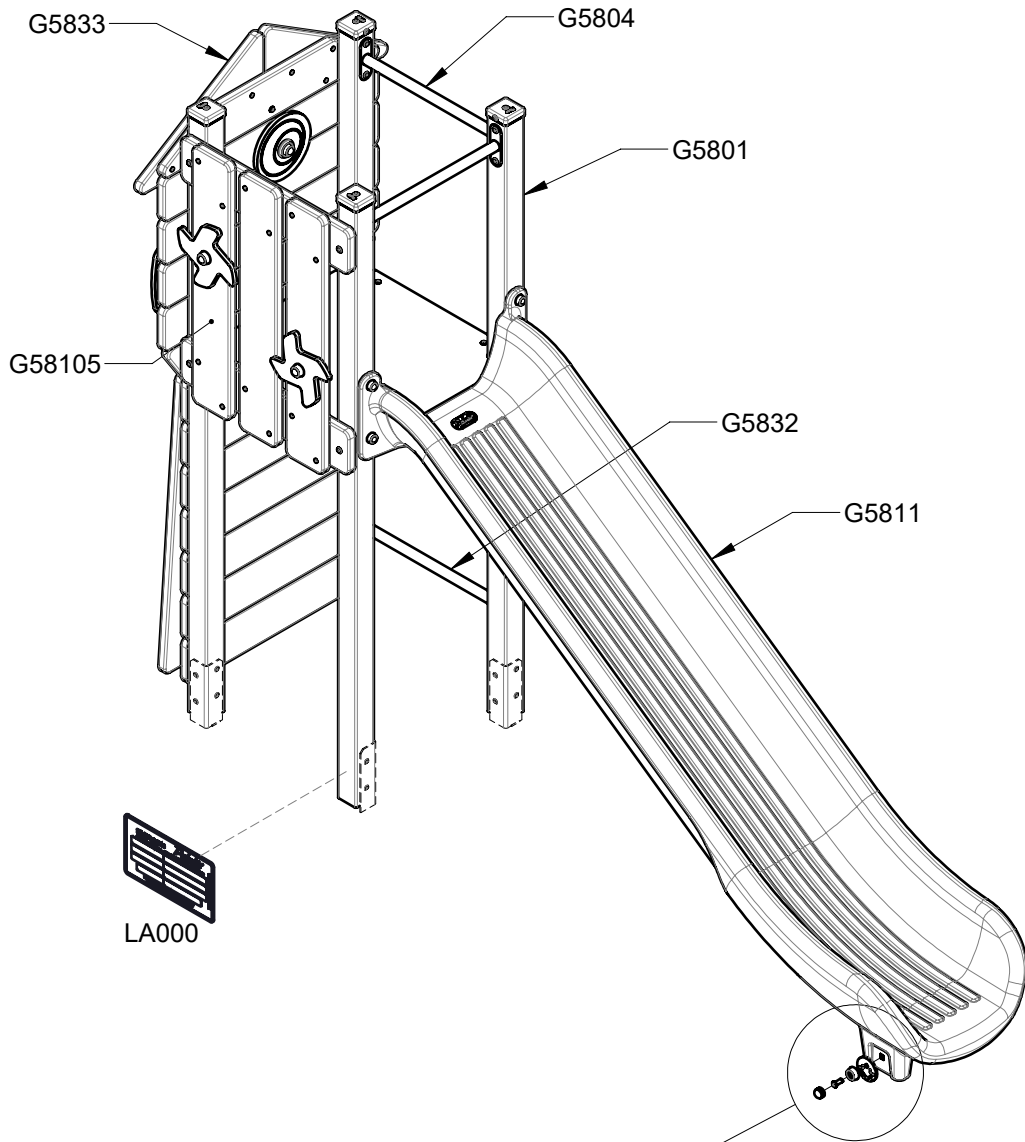


Point de référence
Setting out point
Punto de referencia
Bezugspunkt
Referentiepunt

- - - Espace libre
Free space
Espacio libre
Freiraum
Vrije ruimte

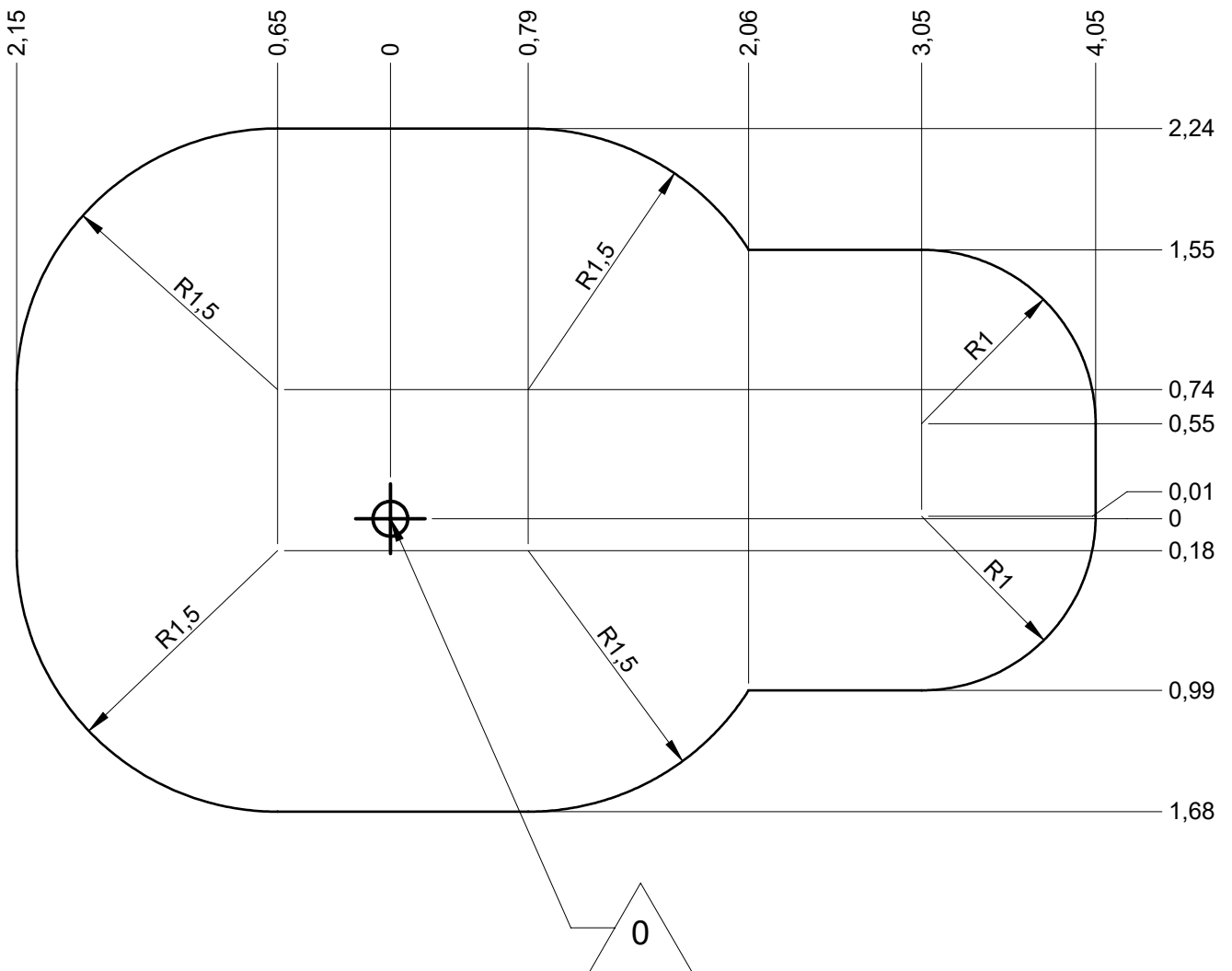
EN1176-1:2017
EN1176-3:2017





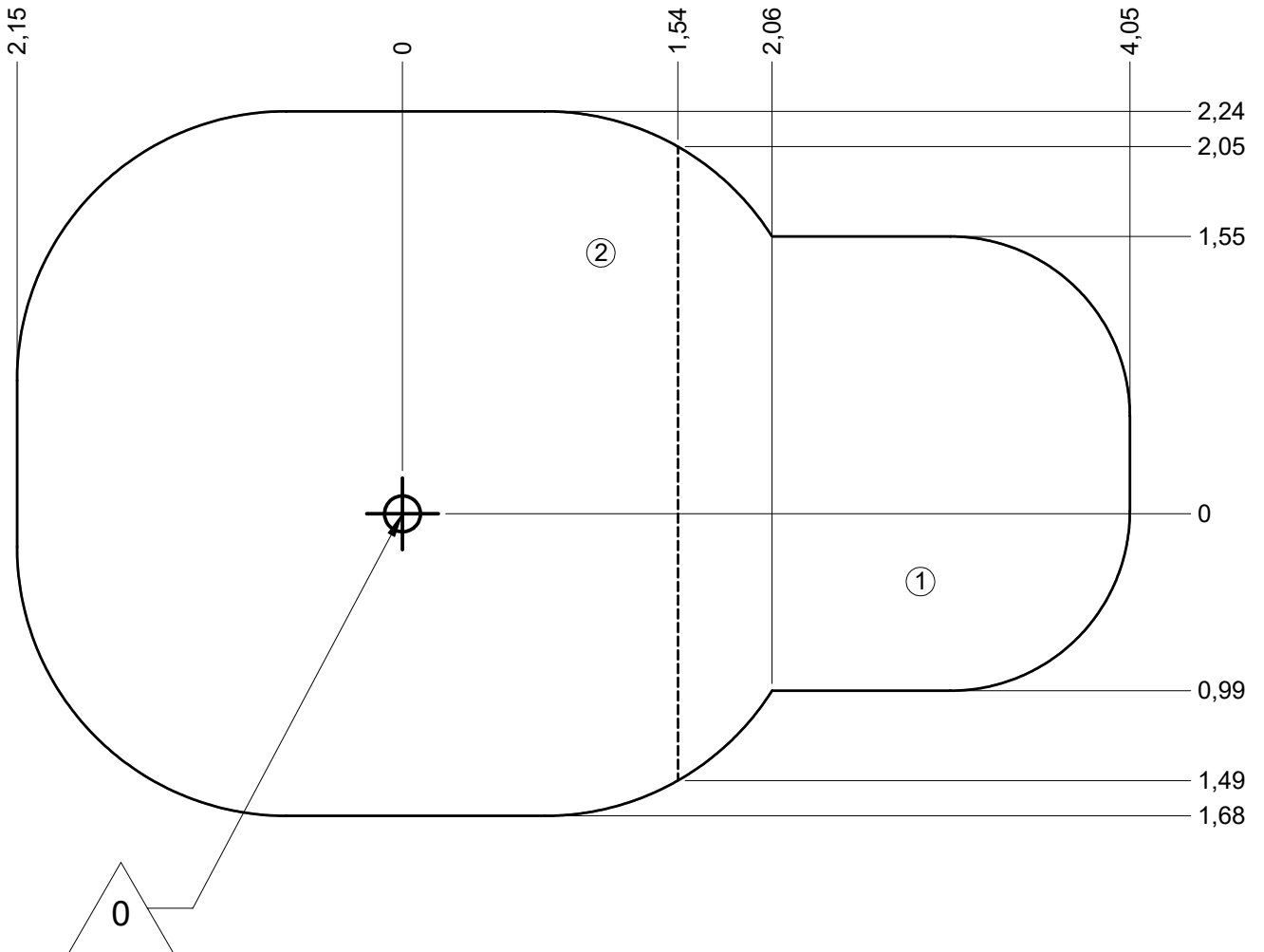
G5801	1
G5804	1
G5811	1
G5832	1
G5833	1
G58105	1

— Zone d'impact
 Impact area
 Area de impacto
 Fallraum
 Valzone **20 m²**



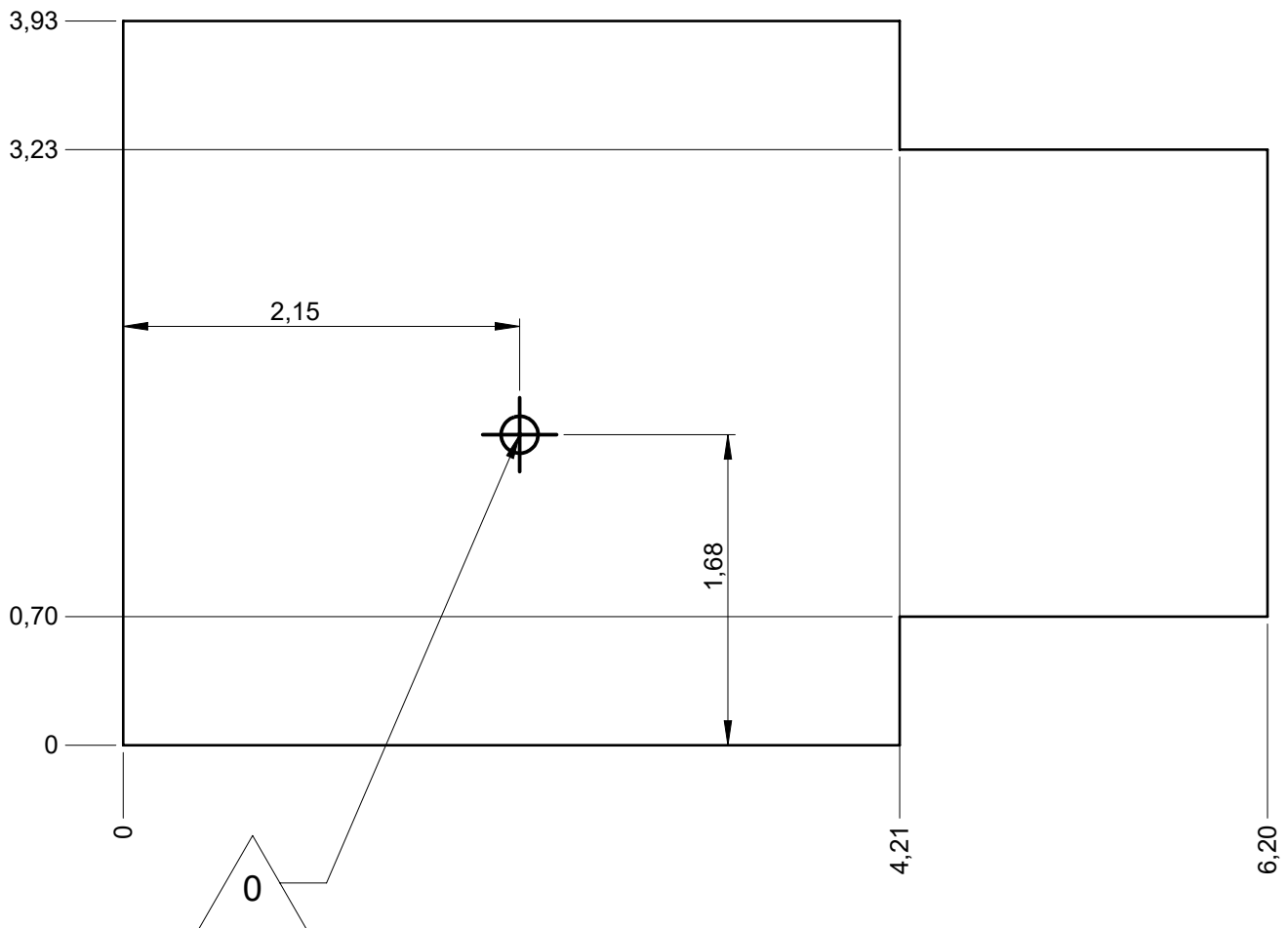
— Sol souple
 Wepour
 Caucho continuo
 Synthetischer Fallschutz
 Gietvloer

20 m²

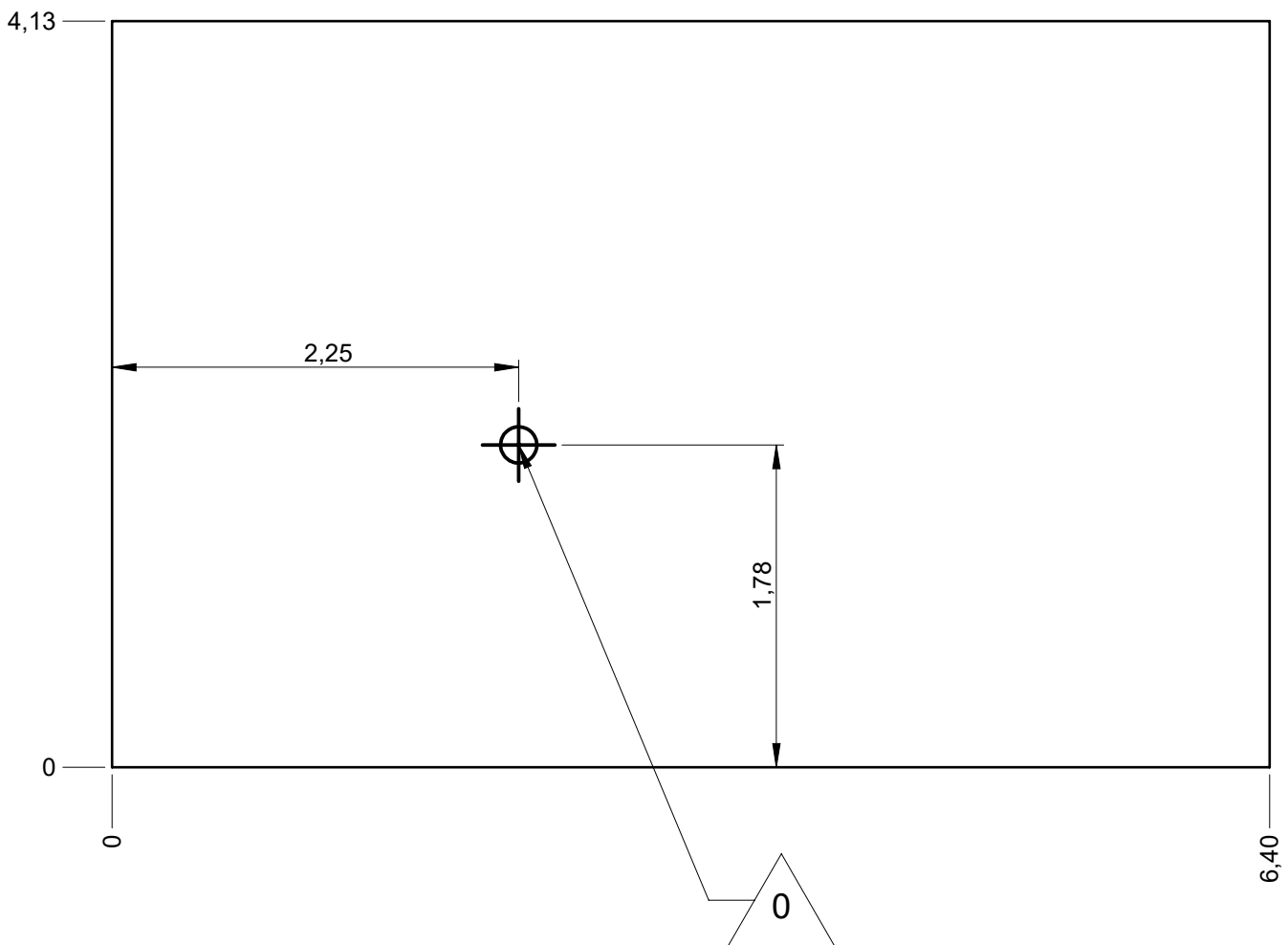


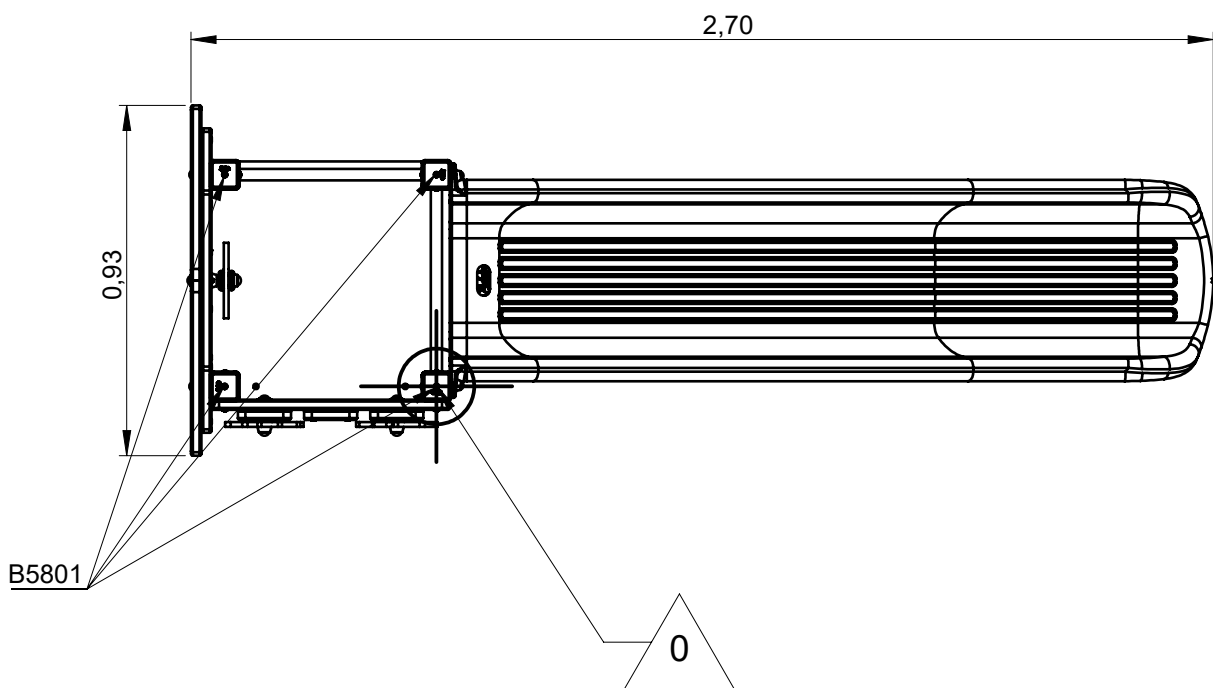
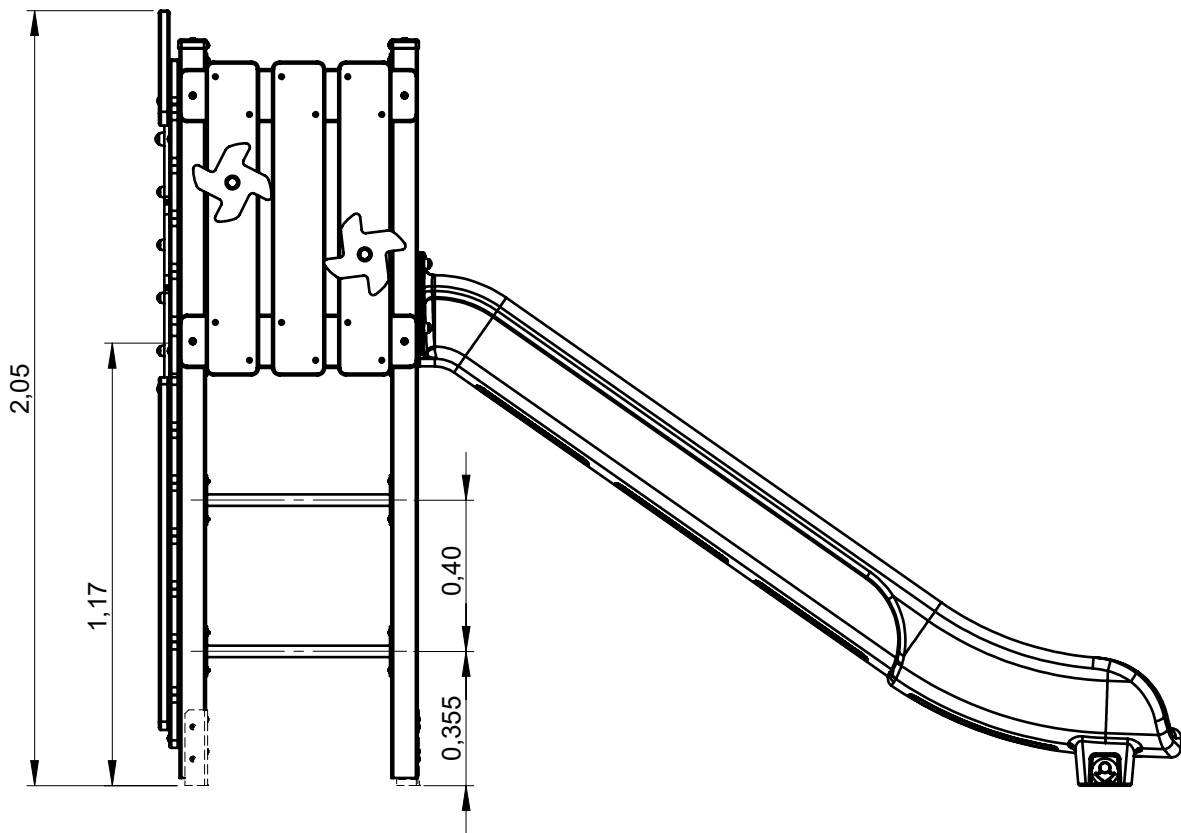
— Dalle béton
Concrete pad
Solera de hormigon
Beton Bodenplatte
Betonnen bodemplaat

18 m
19 m²



— Sol fluent
Loos partucule material 20 m
Arenero
Loses Bodenmaterial 21 m²
Los bodemmaterial

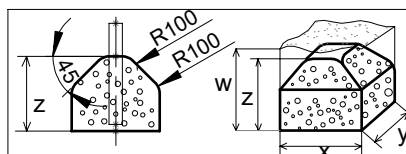
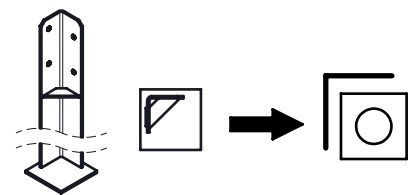
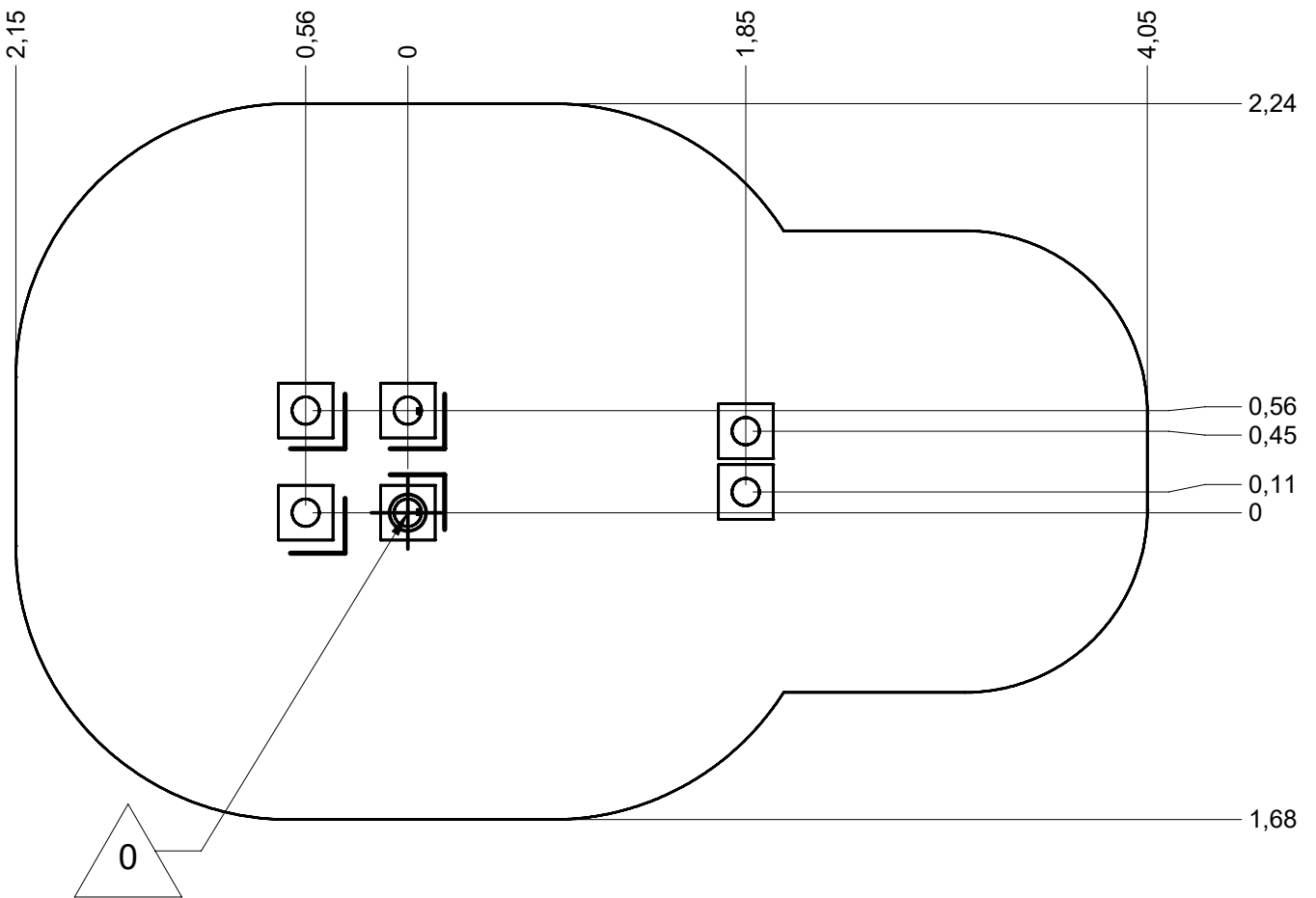




J5841A

ProLudic

Implantation
 Footing plan
 Implantación
 Fundamentplan
 Funderingstekening



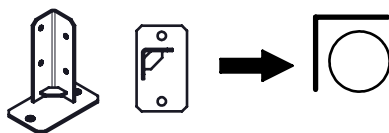
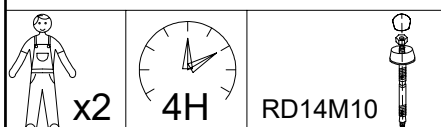
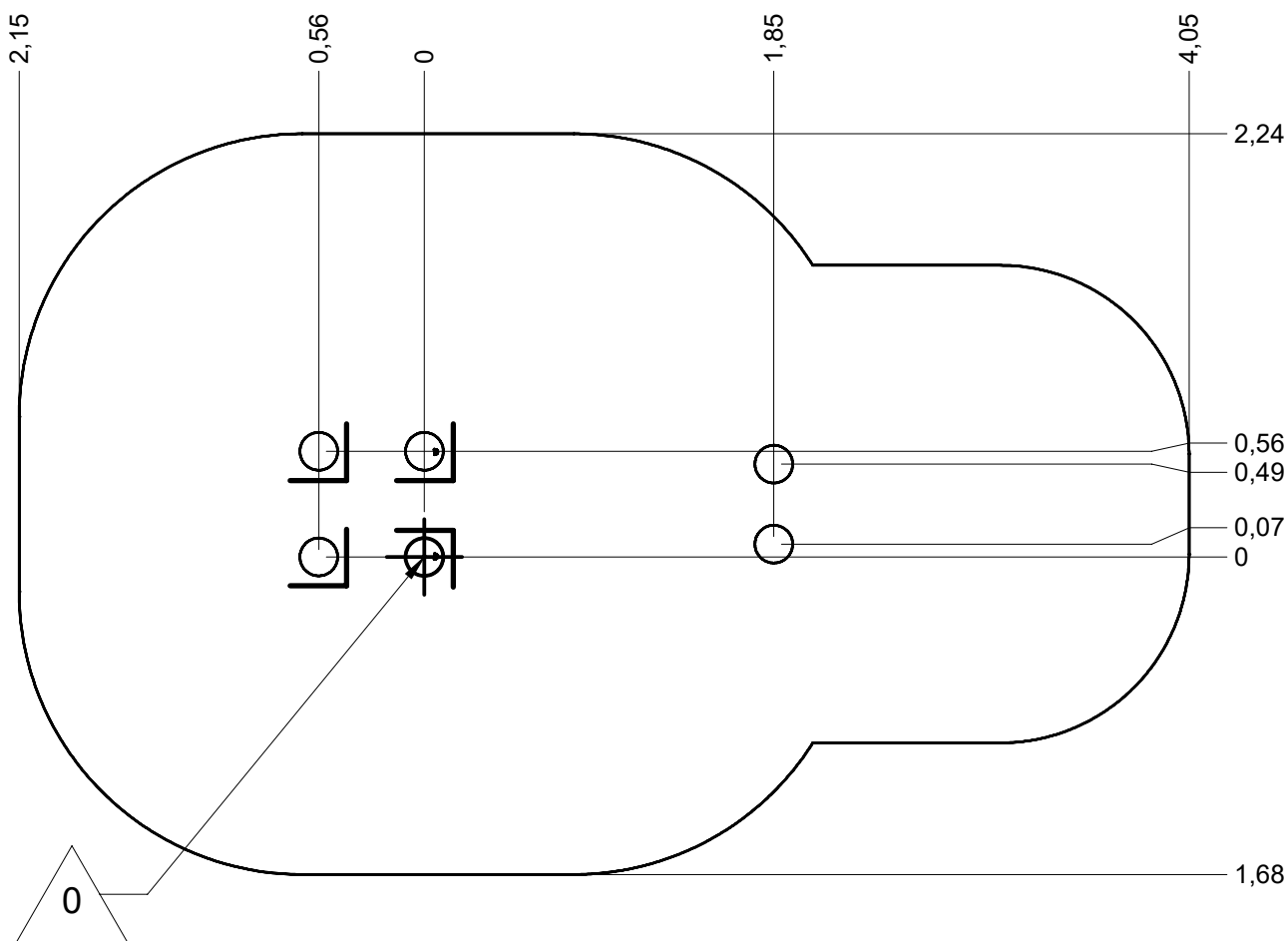
	x	y	z	w
	0.3	0.3	0.3	0.6
	0.4	0.4	0.3	0.6
	0.6	0.3	0.3	0.6

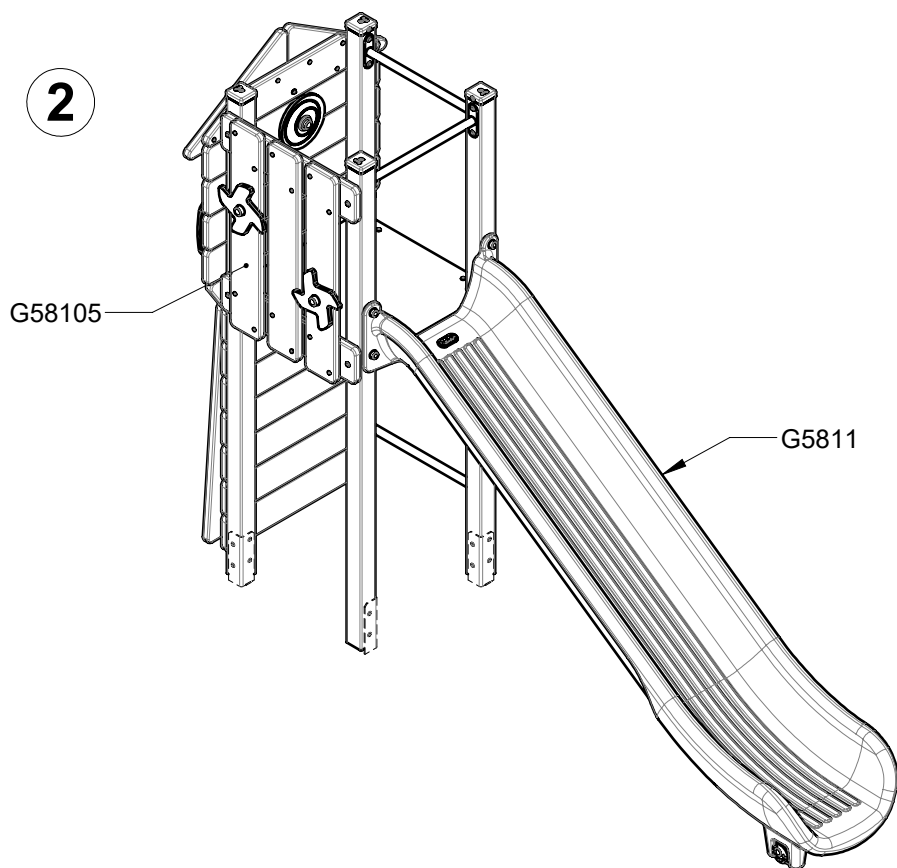
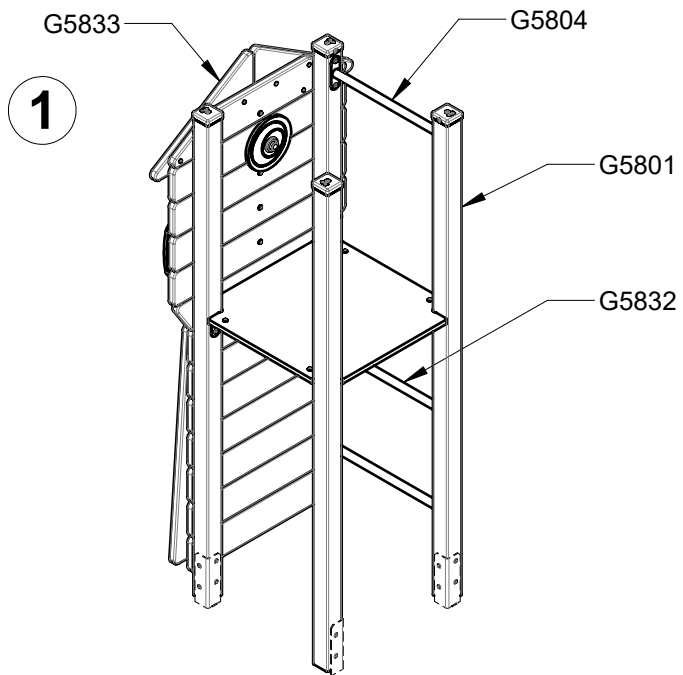
x2
 4H
 0.2 m³

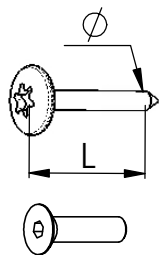
J5841B



Implantation
Footing plan
Implantación
Fundamentplan
Funderingstekening





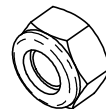


VBT 6 x 30
 \varnothing L (mm)

VFHC



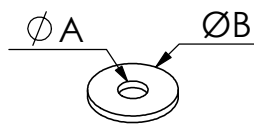
VEC M10
 \varnothing



VEF



VEB



VR6x18
 $\varnothing A$ $\varnothing B$

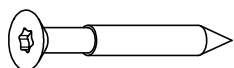
VTHA

< 14 N.m

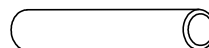
Couple de rupture
 Breakage torque

1000 - 1800 RPM

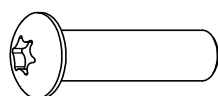
Vitesse de rotation
 Rotation speed



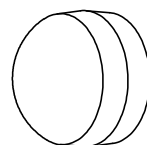
VWT



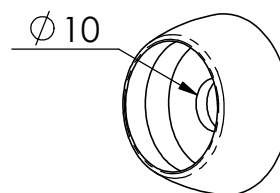
VGC



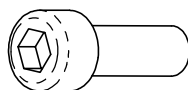
VCBHC



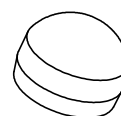
M10 440N



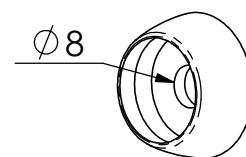
M10 310 N



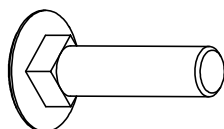
VBTR



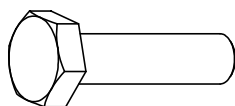
M8440N



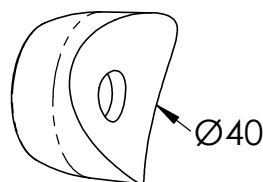
M8310N



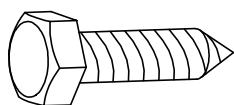
VTRCC



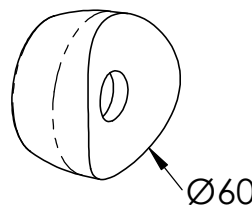
VTH



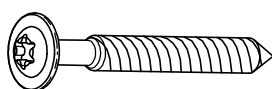
MI2503



VTF

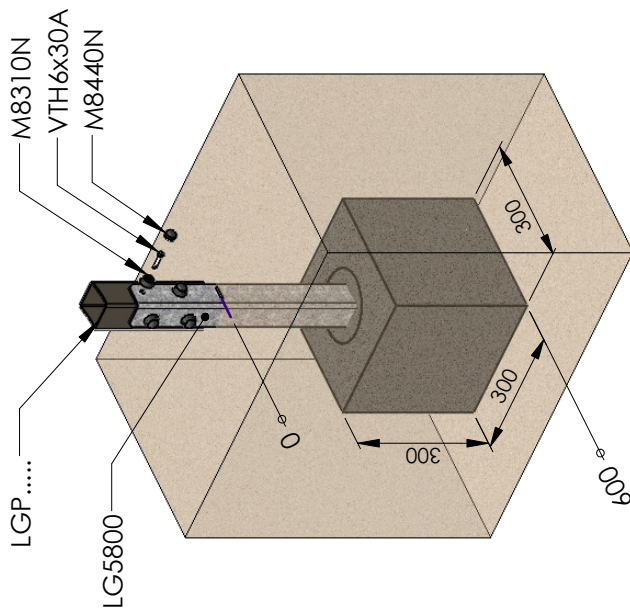


MI2701

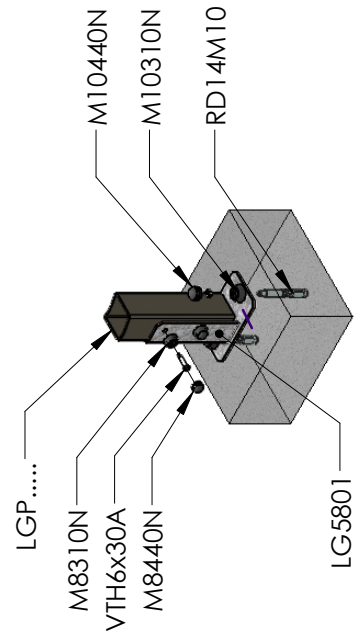


VBT

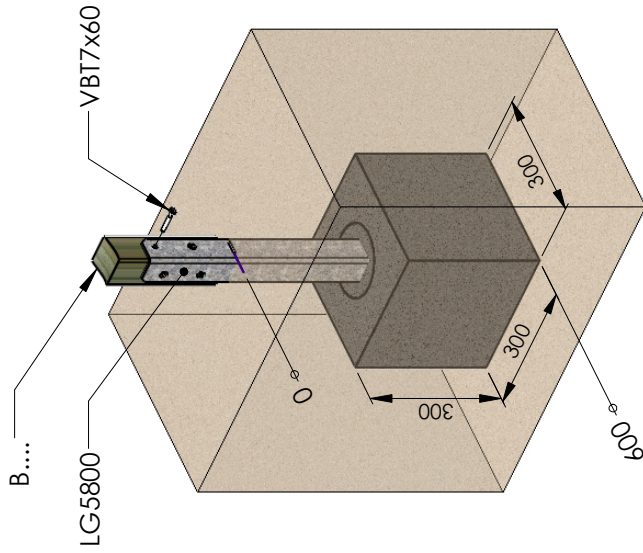
LGP.... A



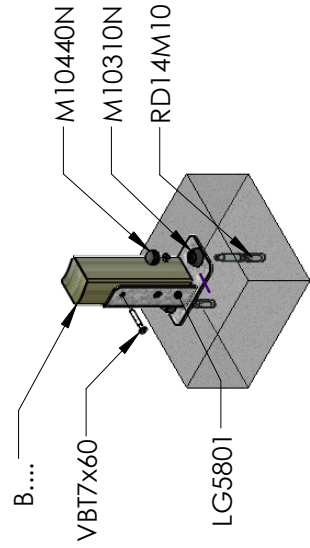
LGP.... B



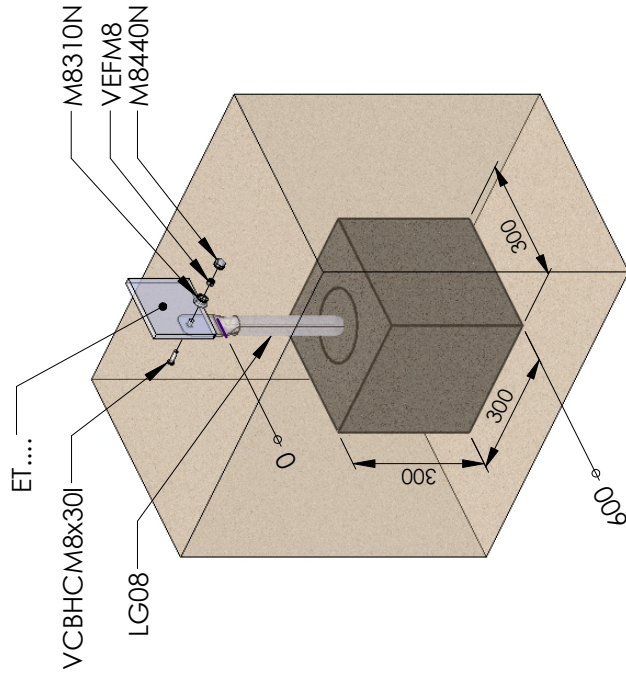
B.... A



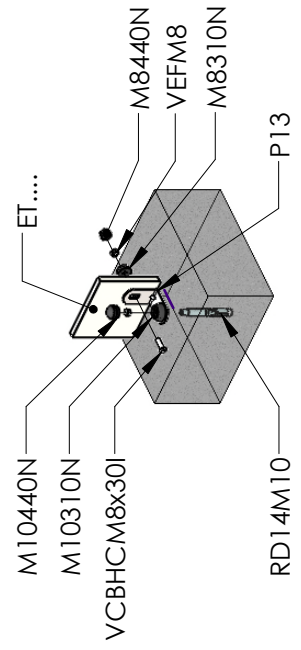
B.... B

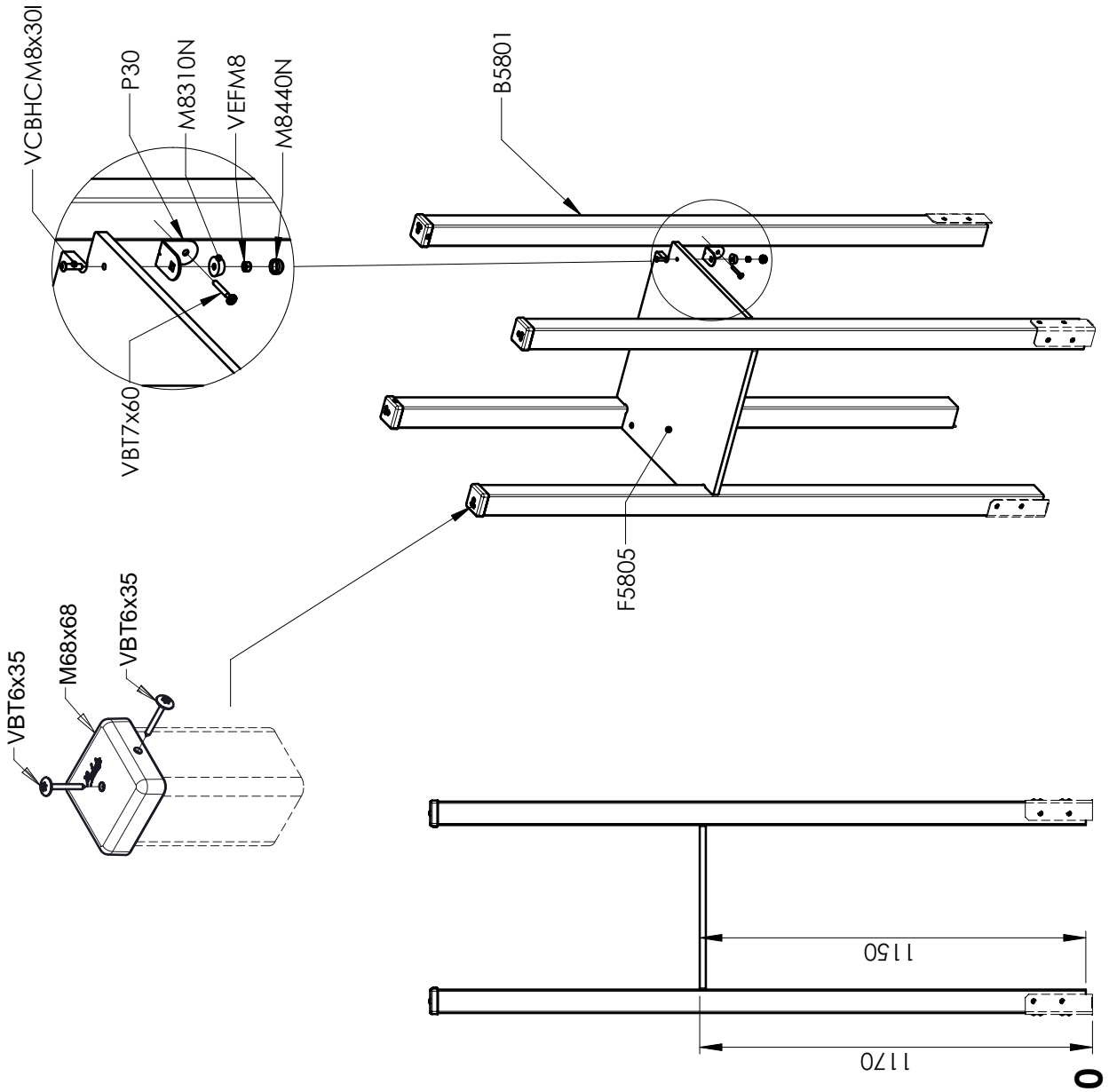


ET.... A

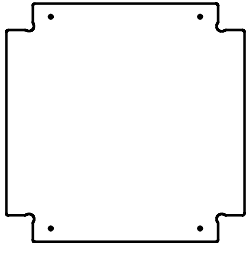


ET.... B

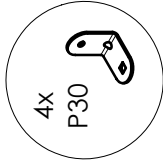




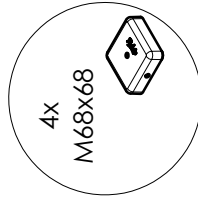
1x
F5805



4x
B5801



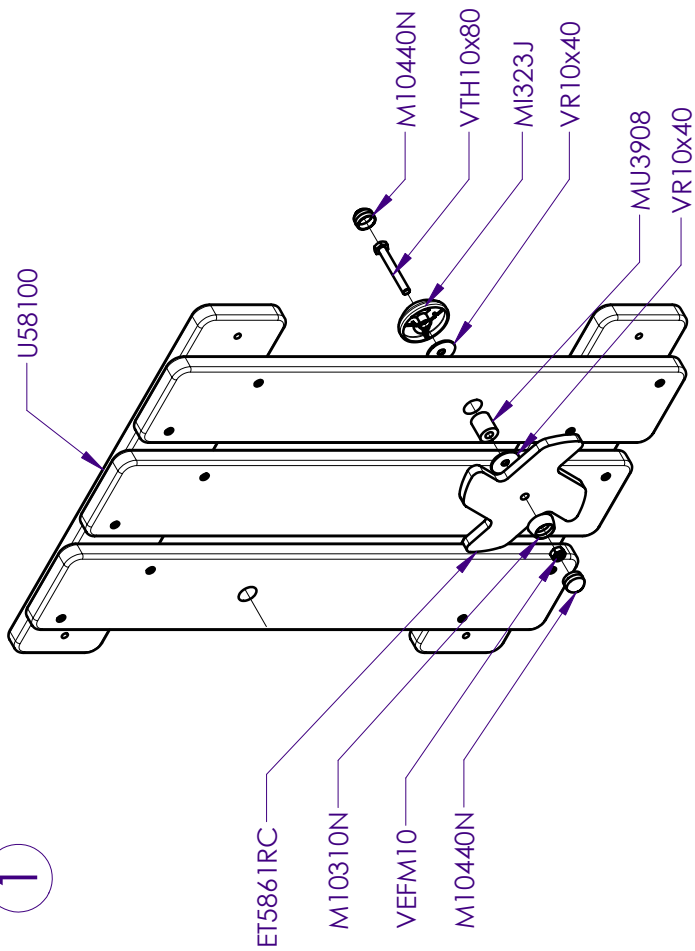
4x
P30



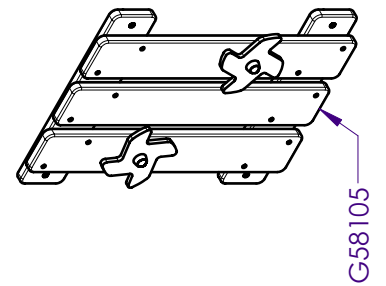
4x
M68x68

B5801	4
F5805	1
M68x68	4
M8310N	4
M8440N	4
P30	4
VBT6x35	8
VBT7x60	4
VCBHCM8x30I	4
VEFM8	4

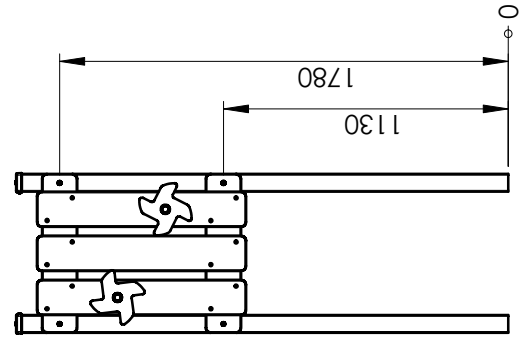
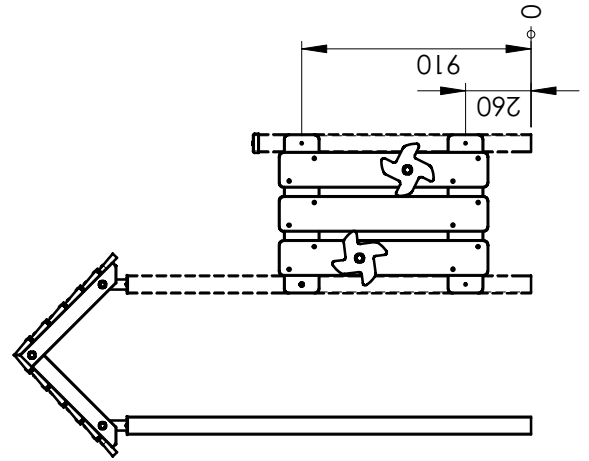
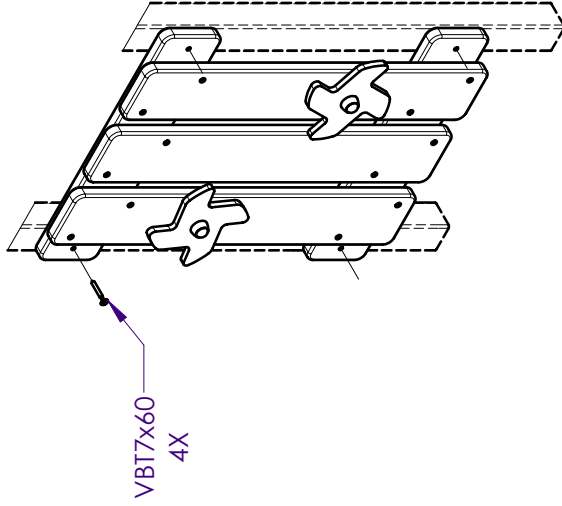
1



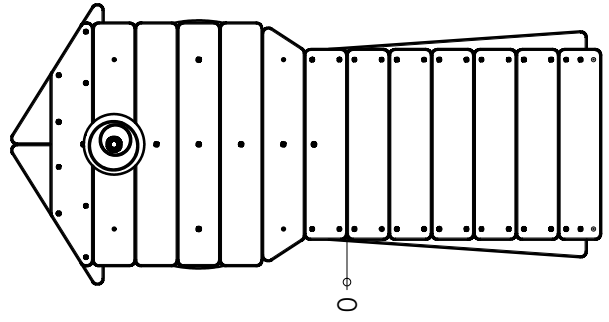
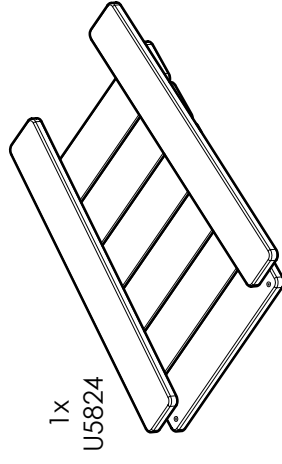
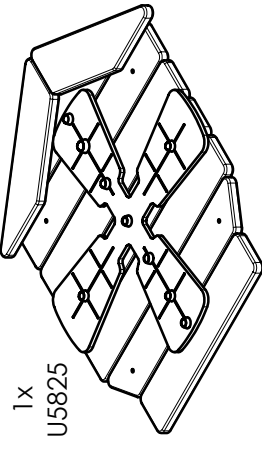
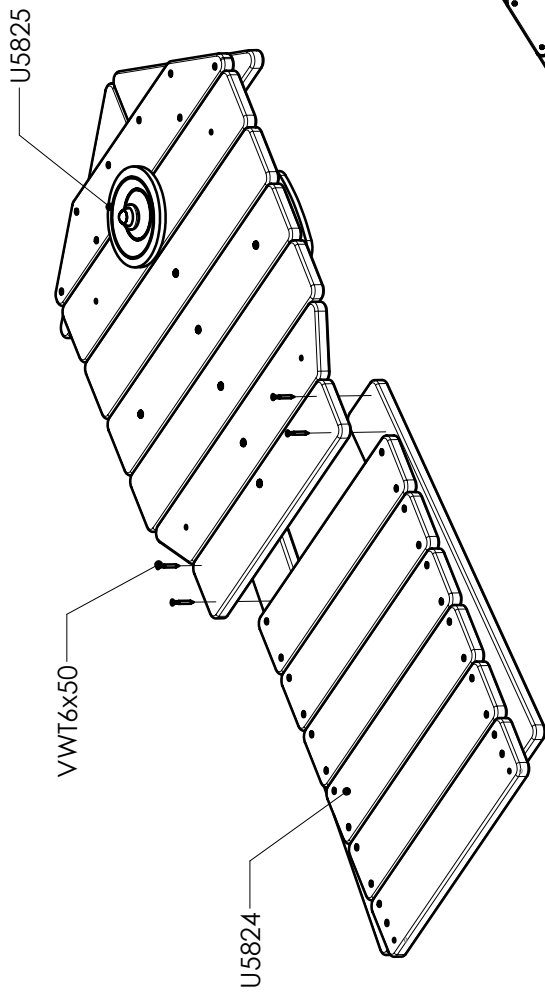
Réf	Qté
M10310N	2
M10440N	4
MI323J	2
MU3908	2
U58100	1
VB7x60	4
VEFM10	2
VR10x40	4
VTH10x80	2
ET5861RC	2



2

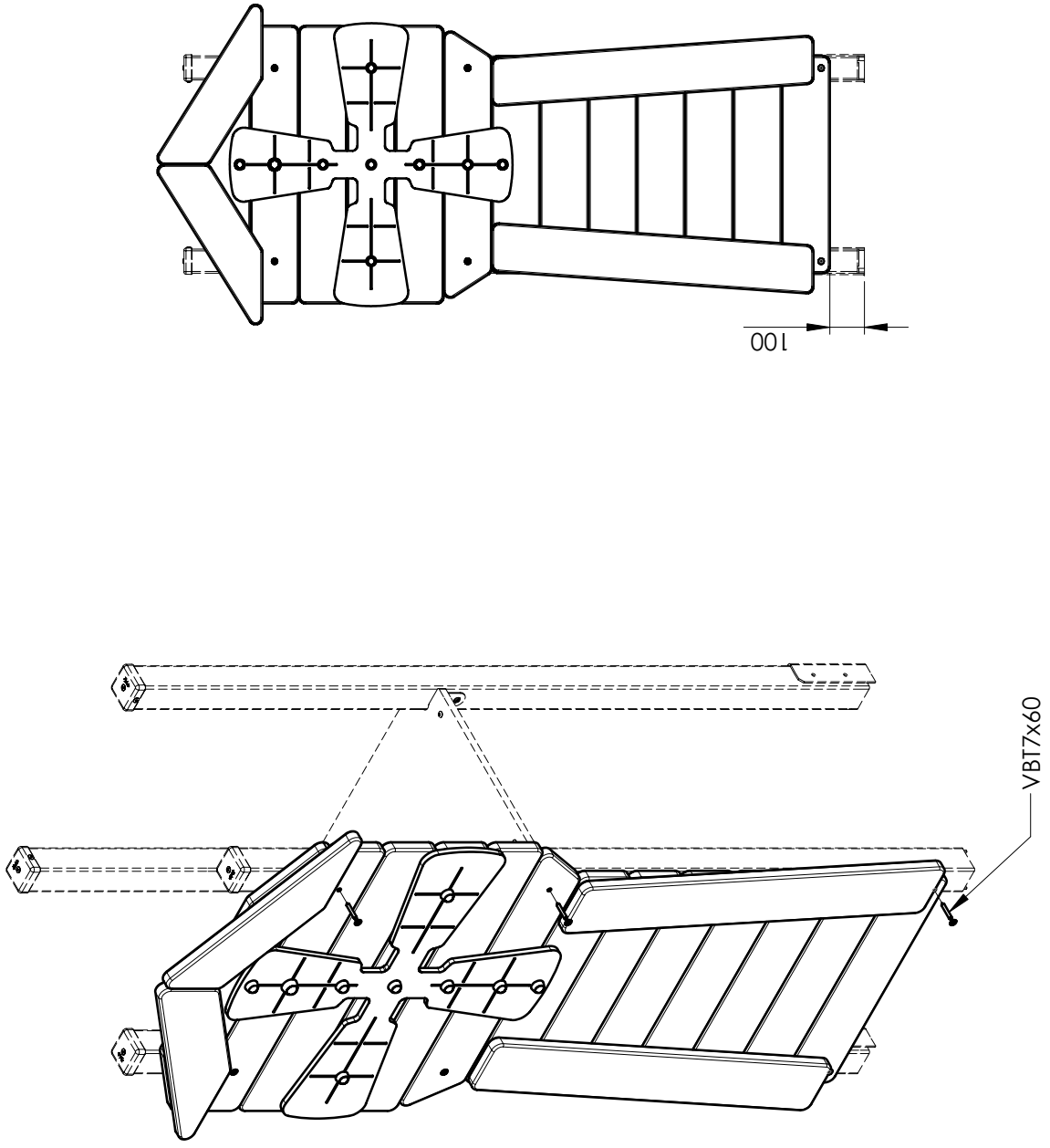


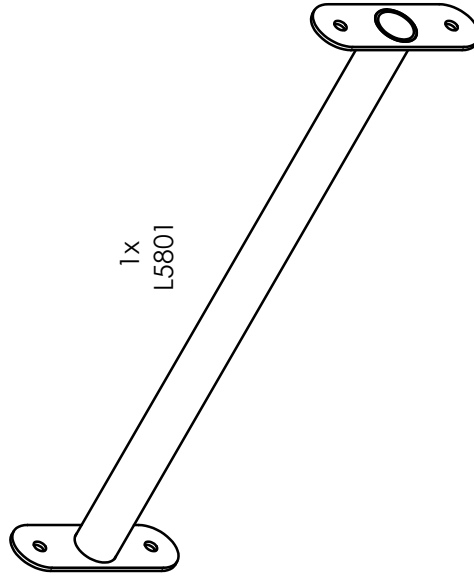
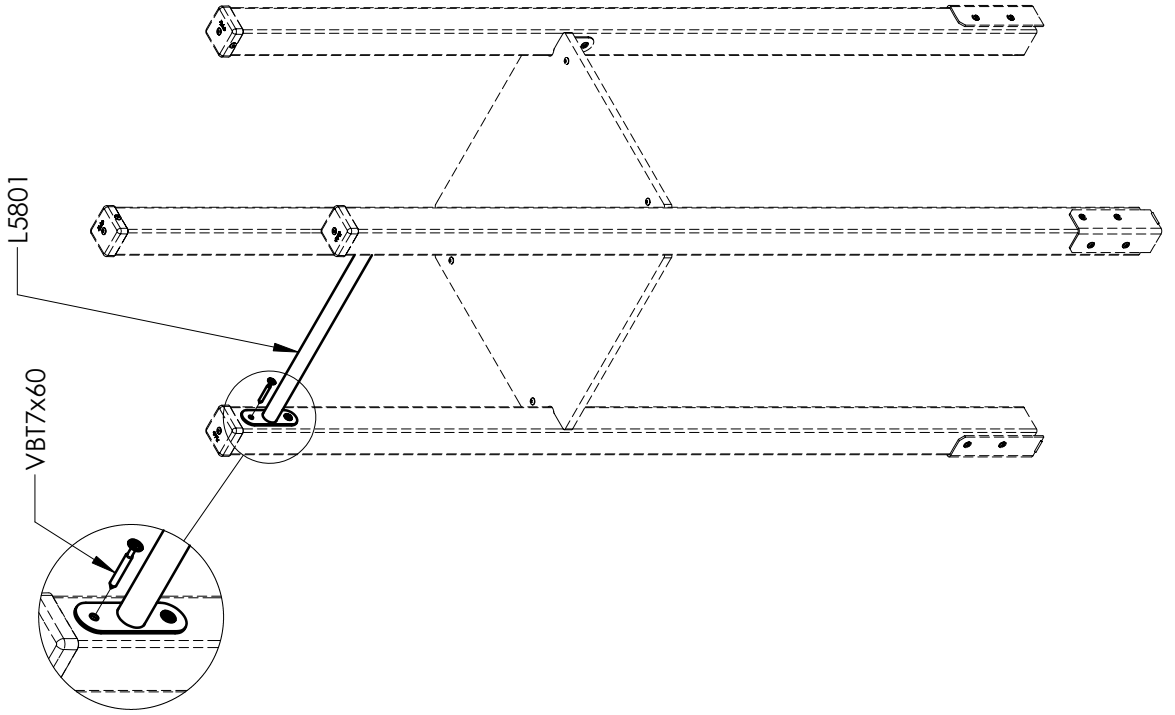
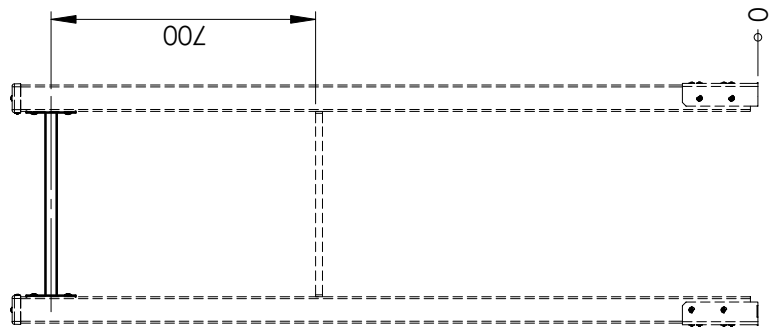
1



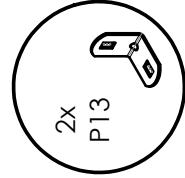
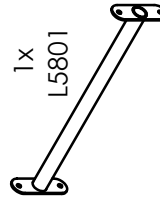
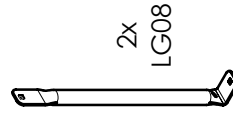
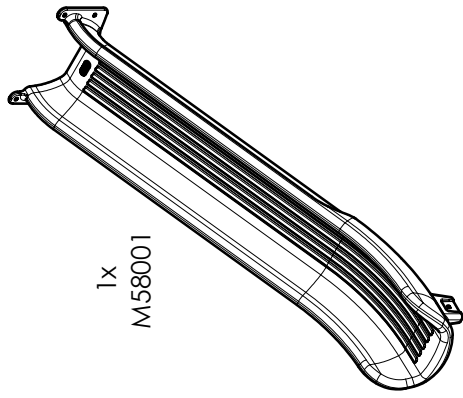
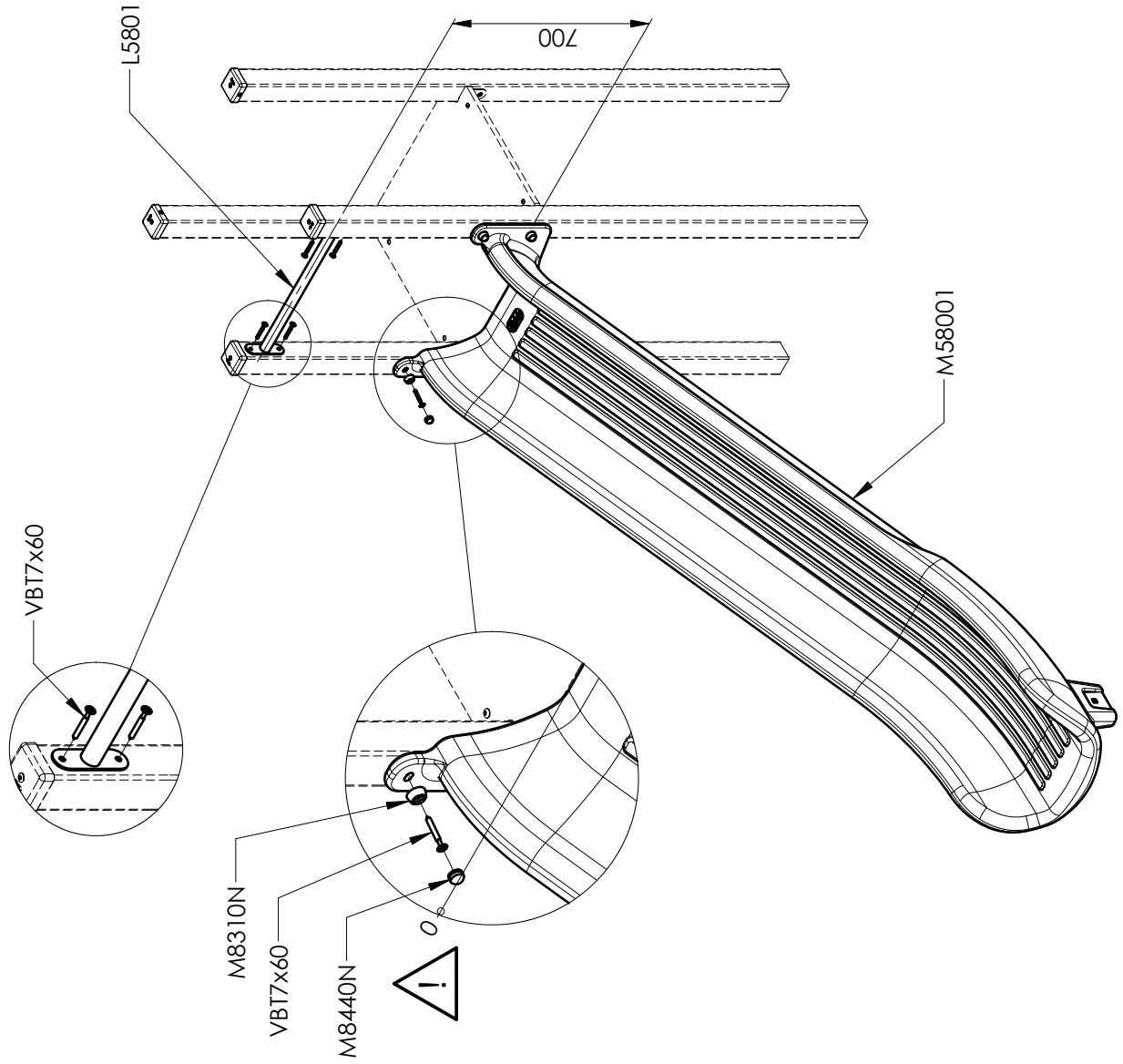
U5824	1
U5825	1
VBT7x60	6
VWT6x50	4

2



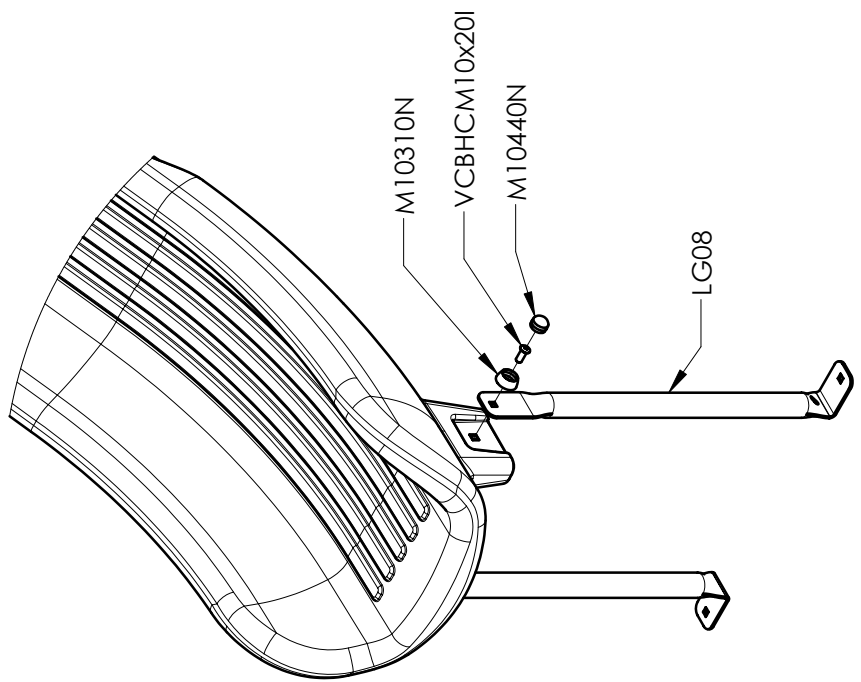
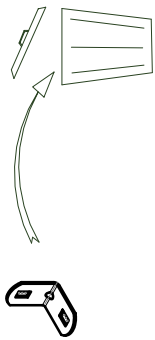


L5801	1	
VBT7x60		4

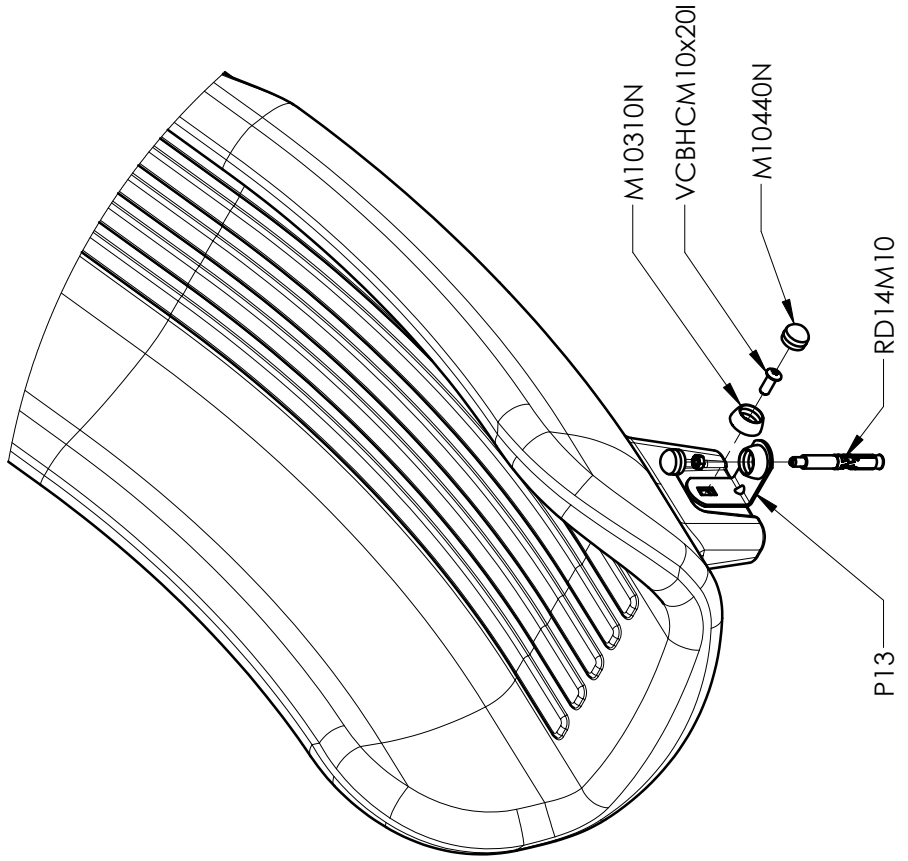
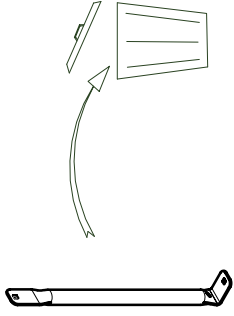


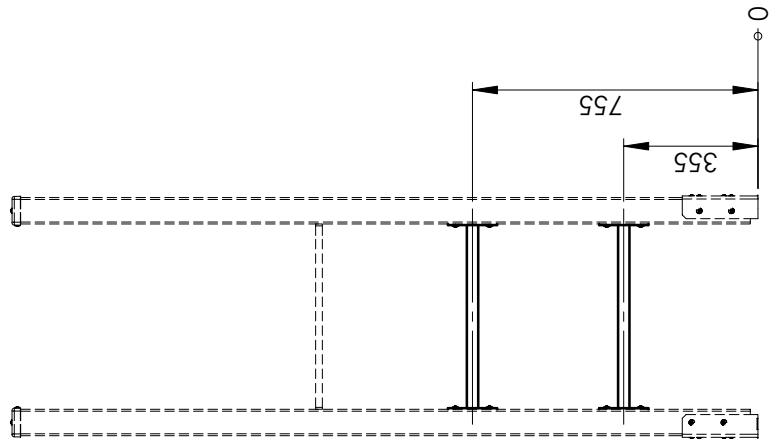
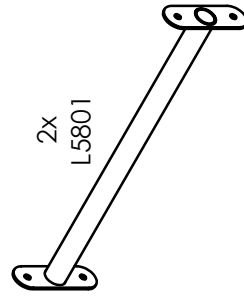
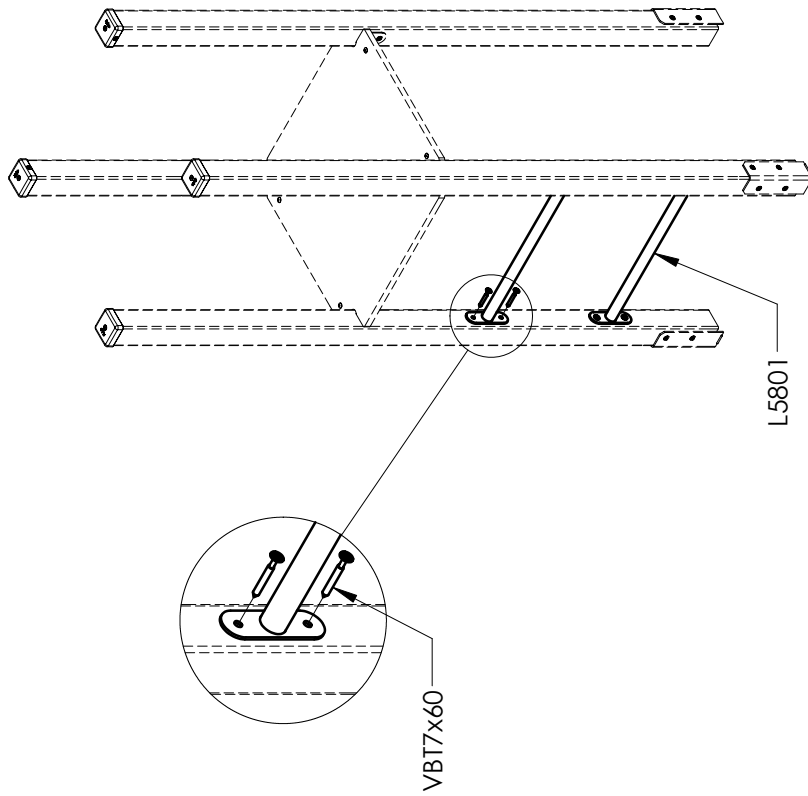
L5801	1
M8310N	4
M8440N	4
M10310N	2
M10440N	2
M58001	1
VBT7x60	8
VCBHC M10x20I	2

A



B





L5801	2	
VB17x60	8	