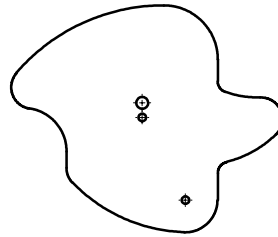
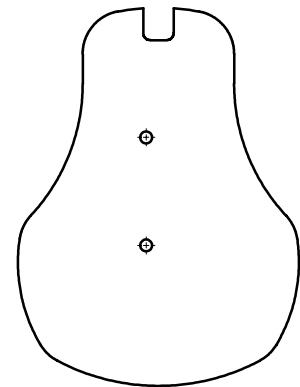


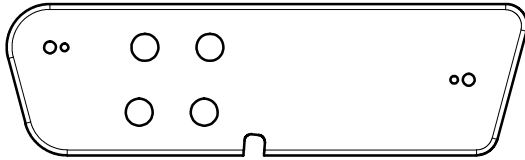
DM58104
1X



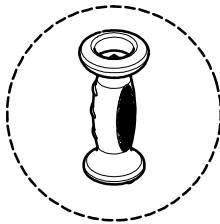
ET58107J
1X



F58113
1X



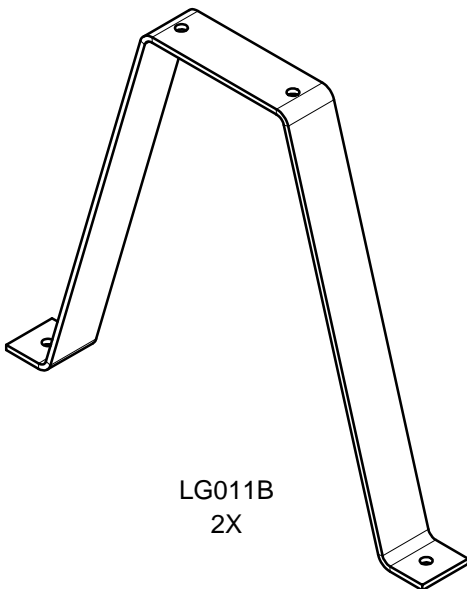
DM58105
1X



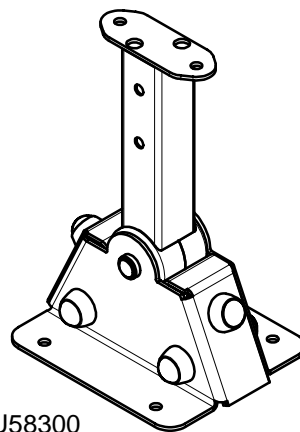
MI820N
4X



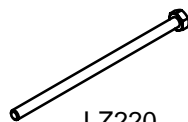
EHS58115
1X



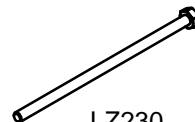
LG011B
2X



U58300
1X



LZ220
1X

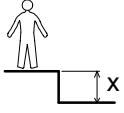
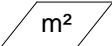


LZ230
1X


| | |
|------------|----|
| LA000 | 1 |
| M10310N | 18 |
| M10440N | 22 |
| MI0002 | 1 |
| MI820N | 4 |
| MU2614 | 6 |
| MU3908 | 4 |
| VBT6x30 | 1 |
| VEFM10 | 18 |
| VR10x22 | 2 |
| VTH10x30 | 4 |
| VTH10x40 | 4 |
| VTRCC10x40 | 2 |
| VTH10x70 | 4 |
| VTH10x100 | 2 |



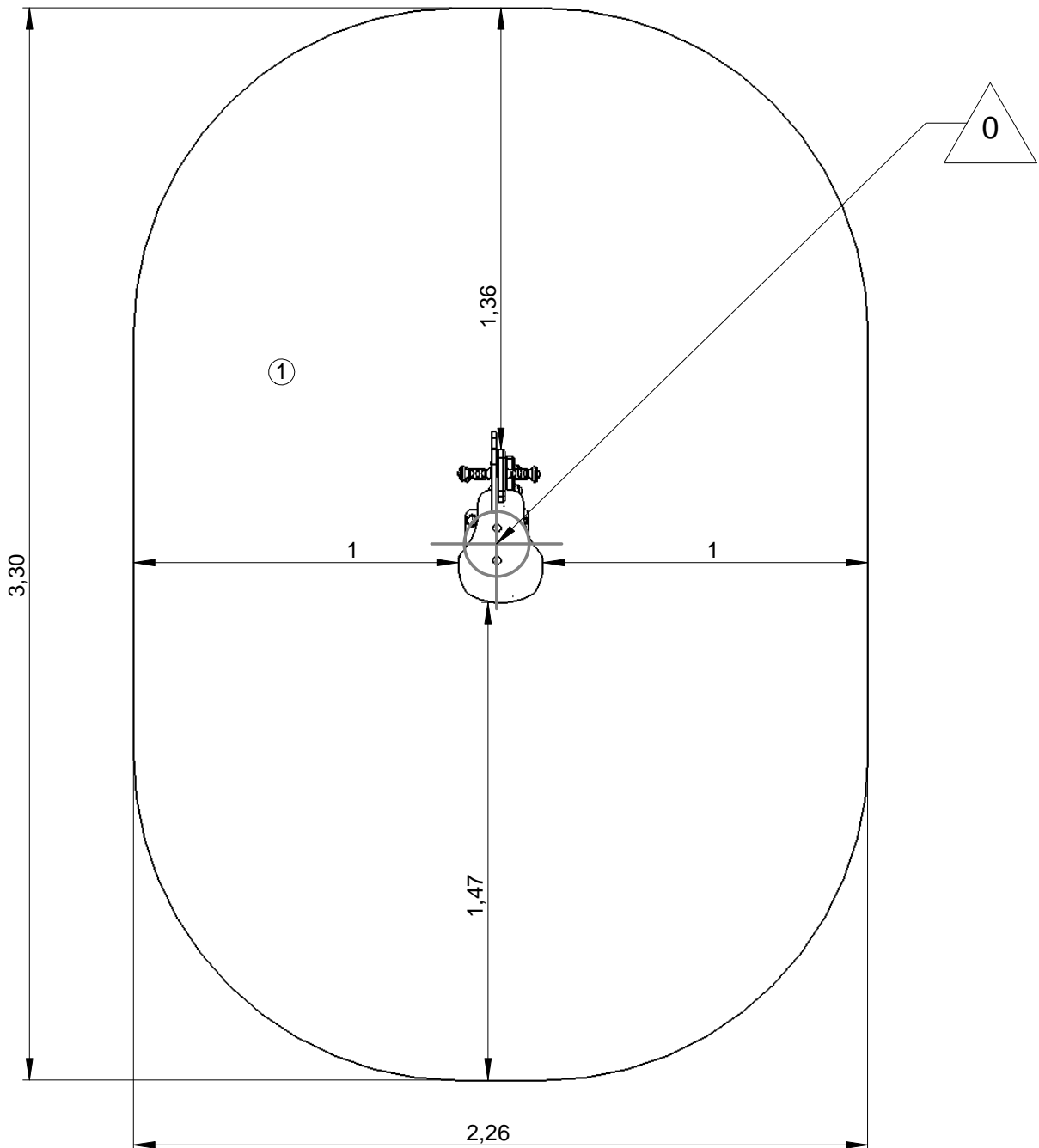
ProLudic

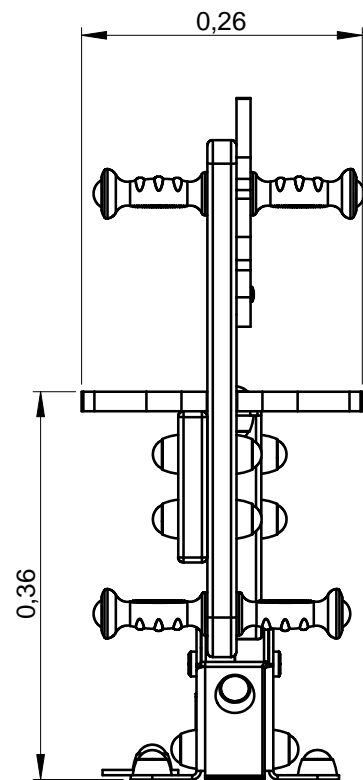
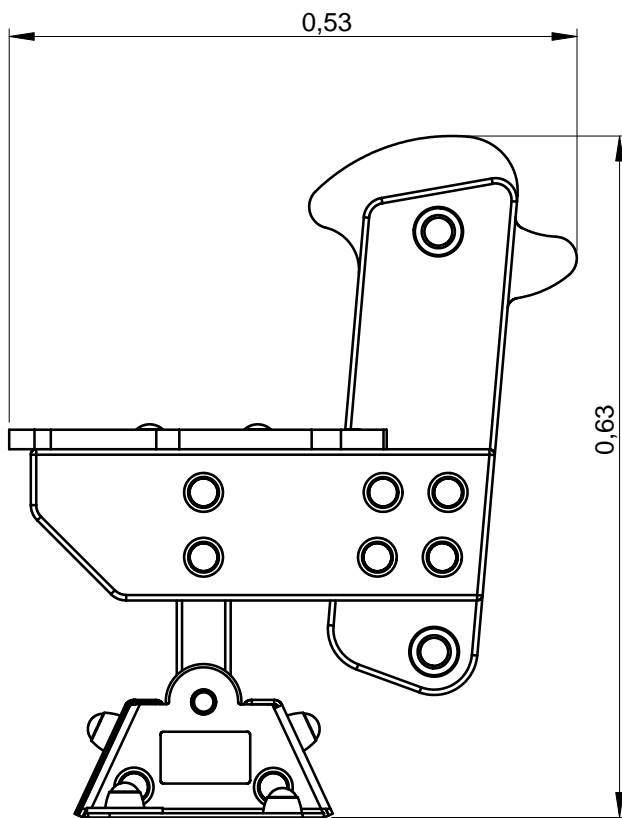
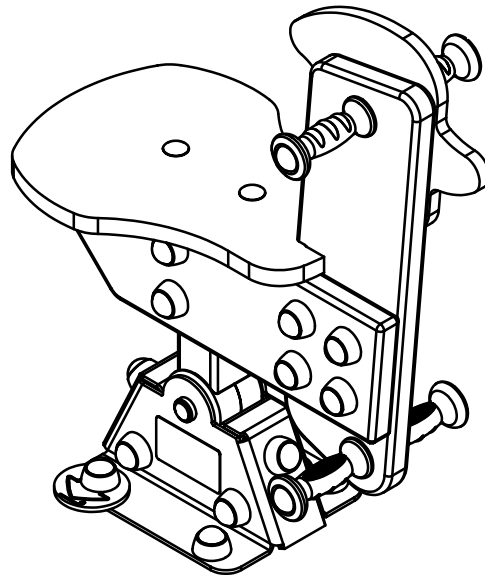
| N° |  |  |
|----|---|---|
| 1 | 0.6 m | 7 m² |

— Zone d'impact
Impact area
Area de impacto
Fallraum
Valzone

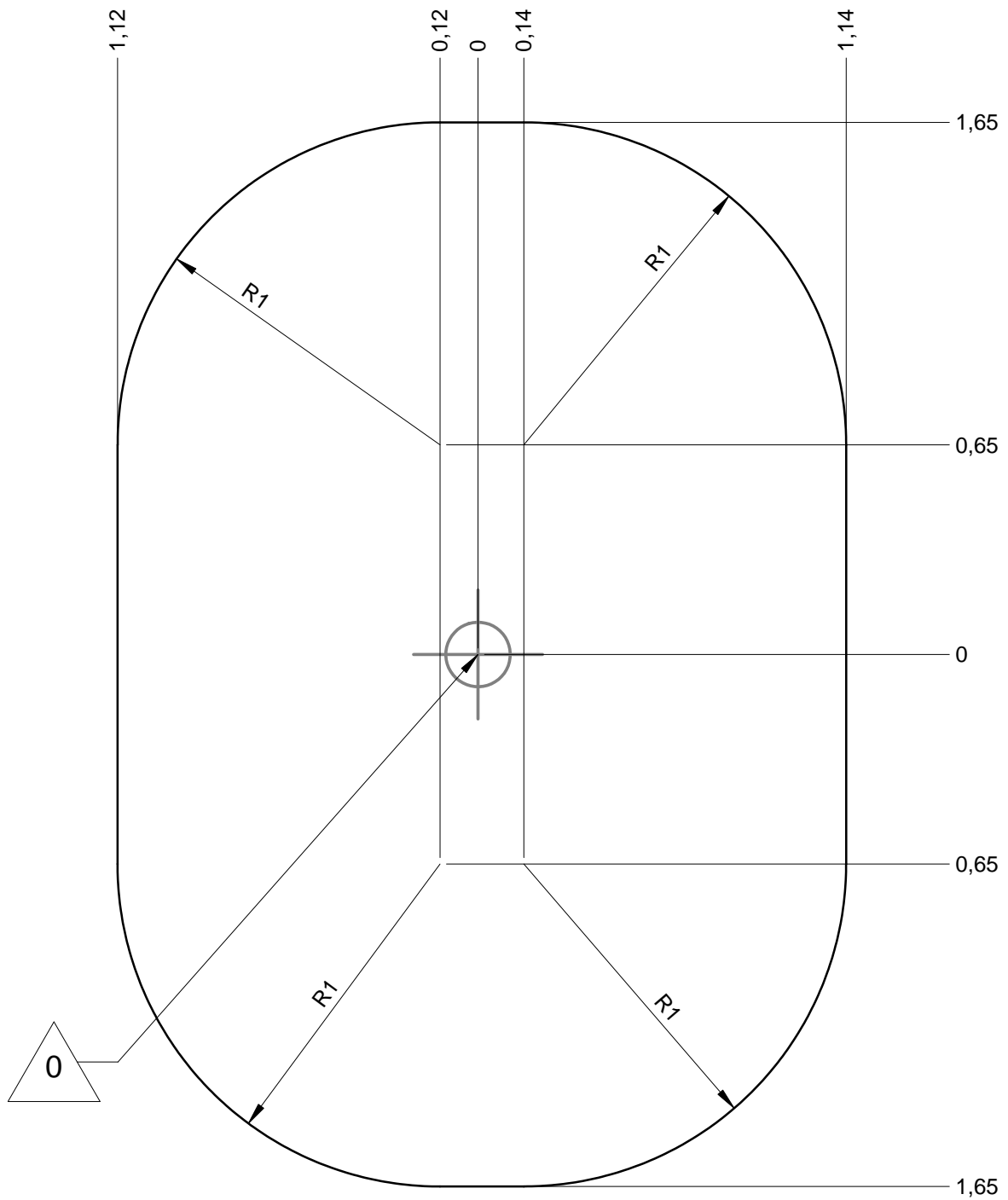
 Point de référence
Setting out point
Punto de referencia
Bezugspunkt
Referentiepunt

EN1176-1:2017
EN1176-6:2017



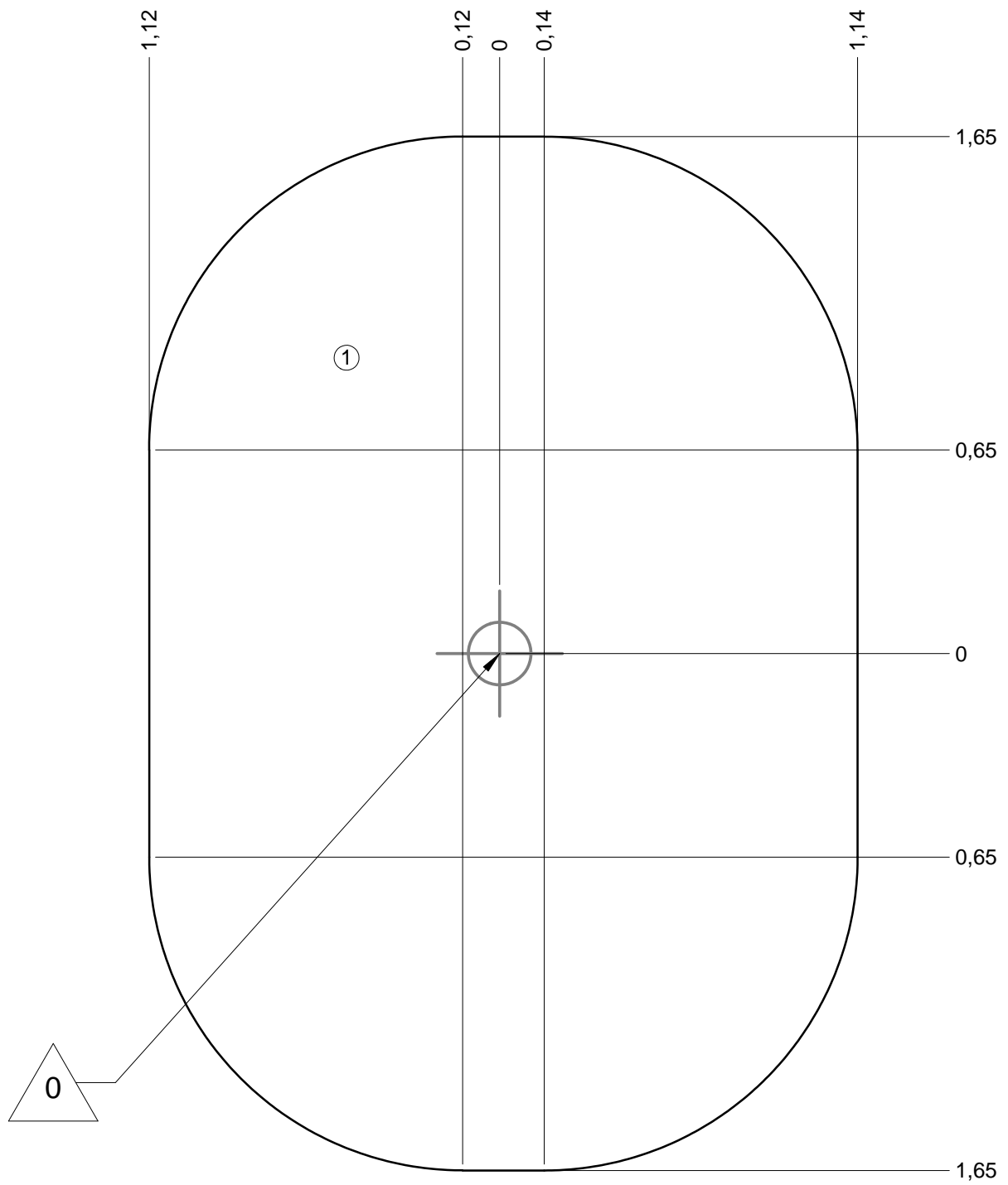


— Zone d'impact
Impact area
Area de impacto
Fallraum
Valzone **7 m²**



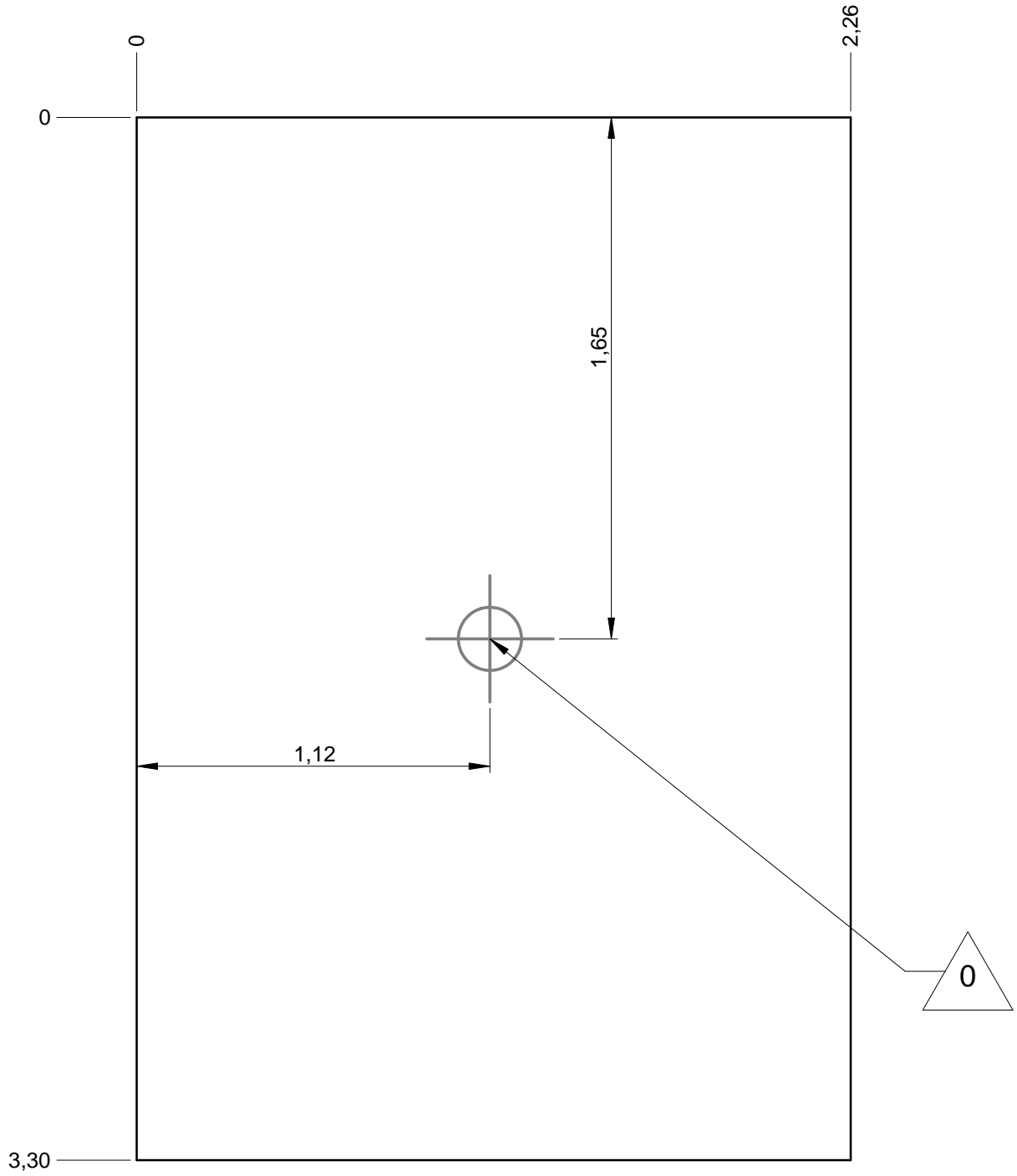
— Sol souple
Wetpour
Caucho continuo
Synthetischer Fallschutz
Gietvloer

7 m²

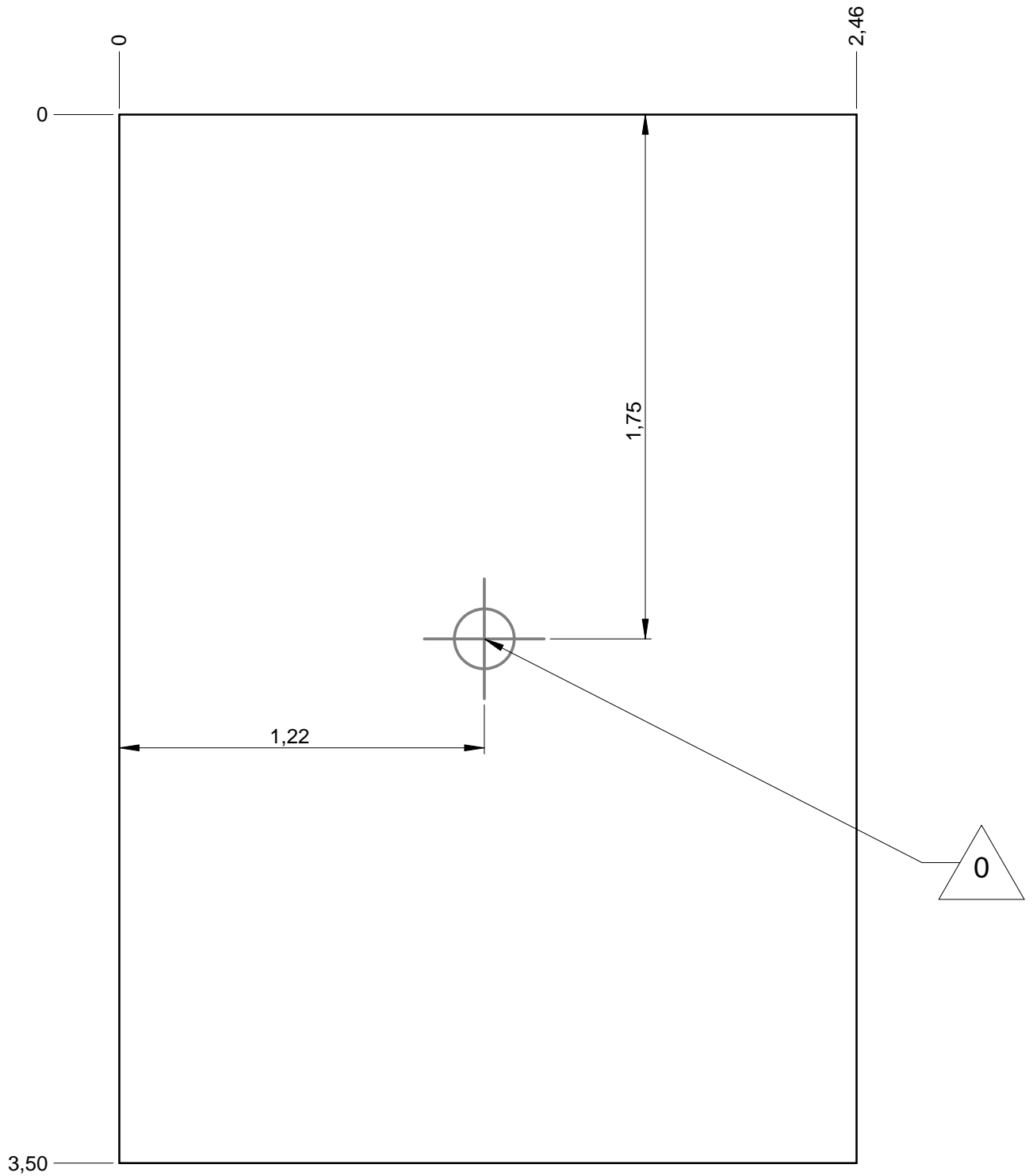


— Dalle béton
Concrete pad
Solera de hormigon
Beton Bodenplatte
Betonnen bodemplaat

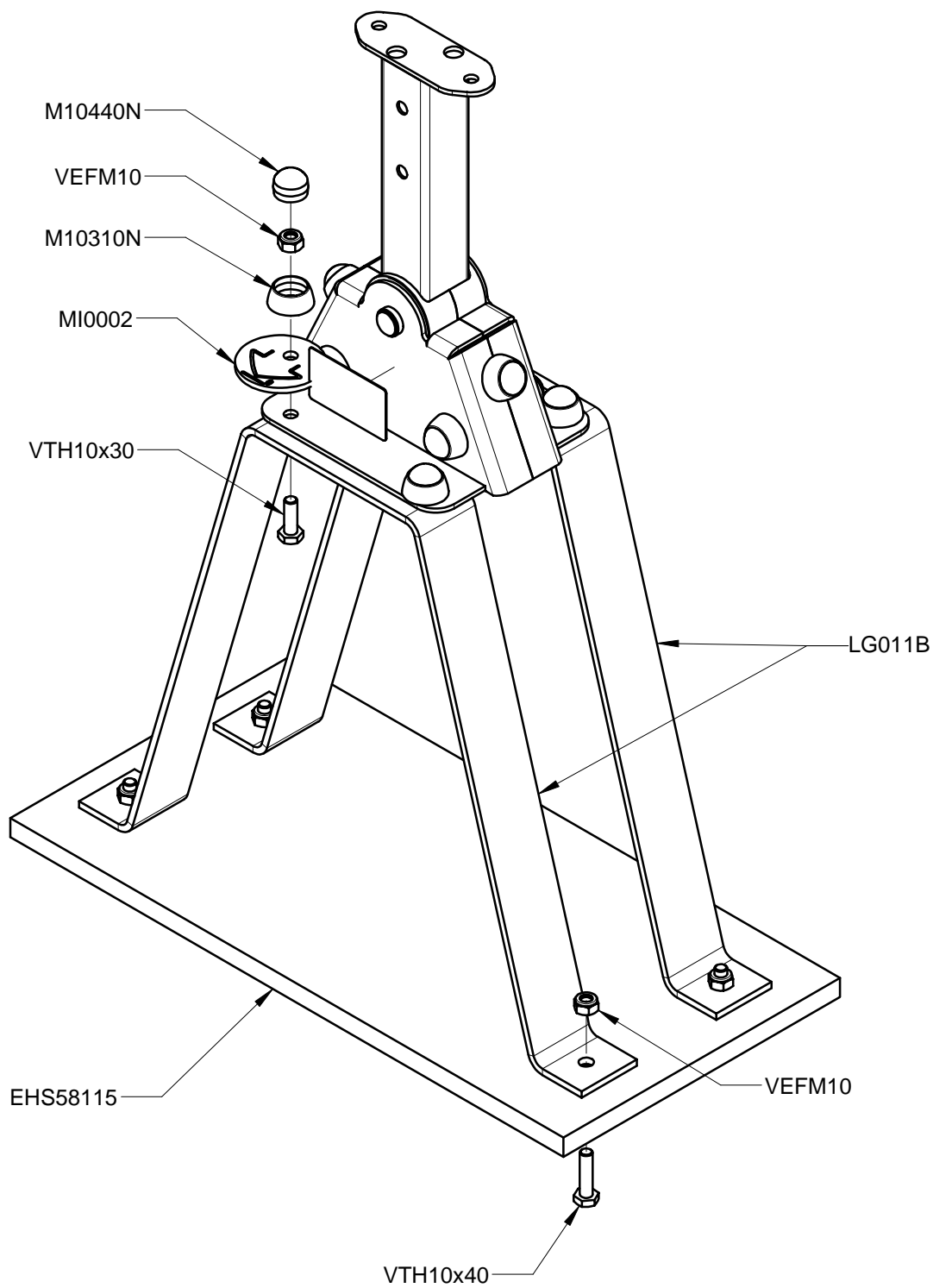
12 m
8 m²



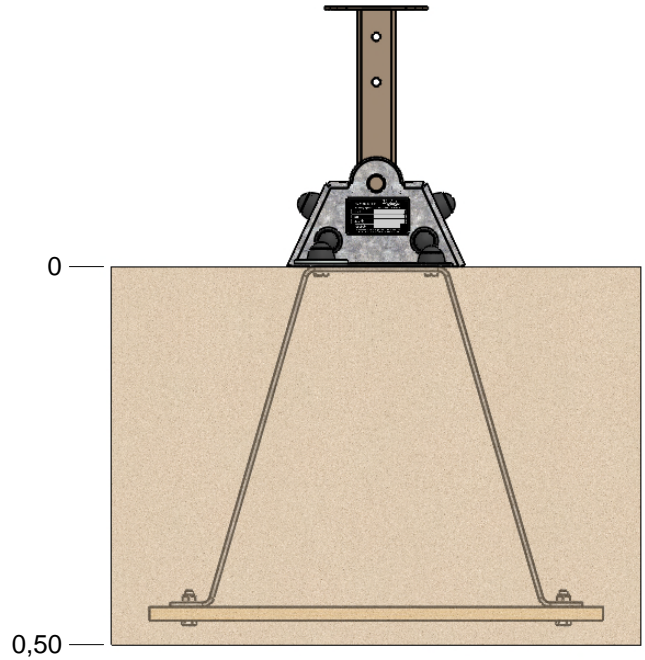
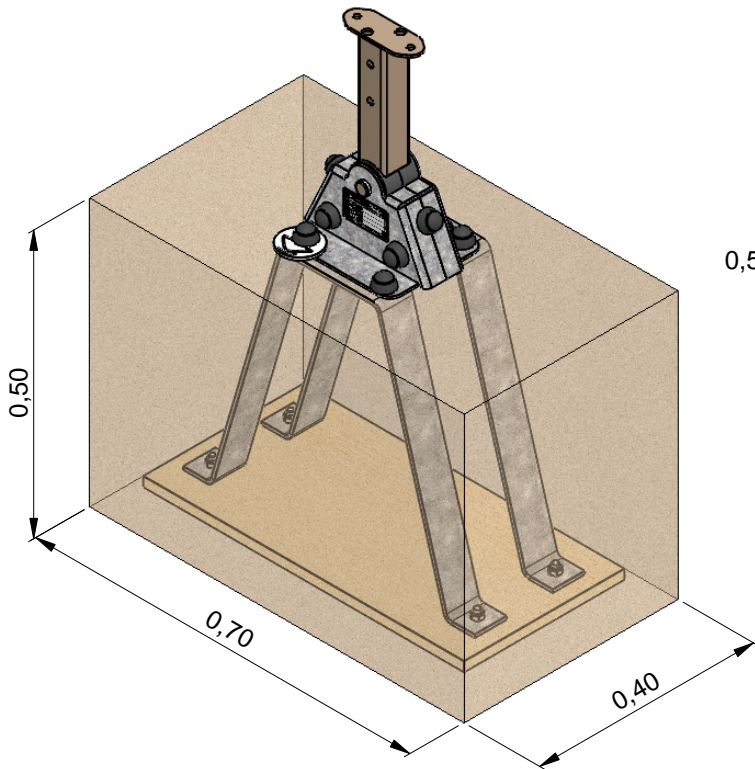
— Sol fluent
Loos partucule material 12 m
Arenero
Loses Bodenmaterial 9 m²
Los bodemmaterial




J....A

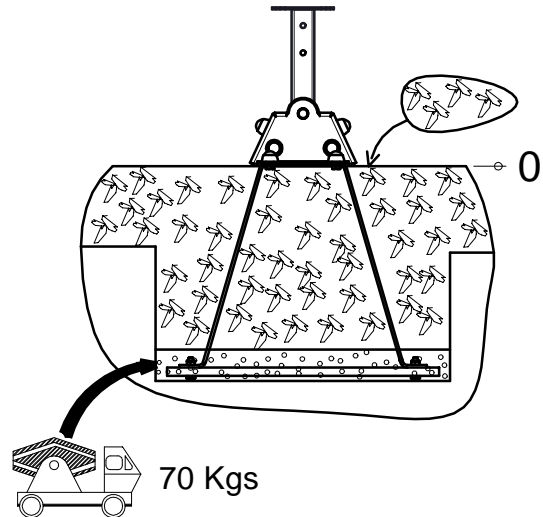
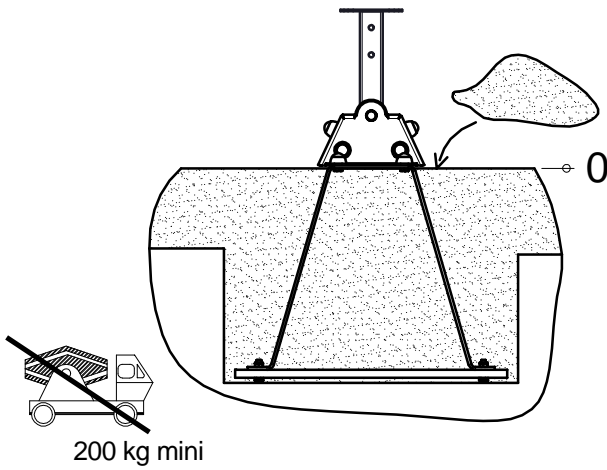


J.....A

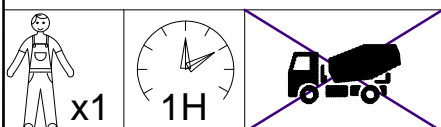
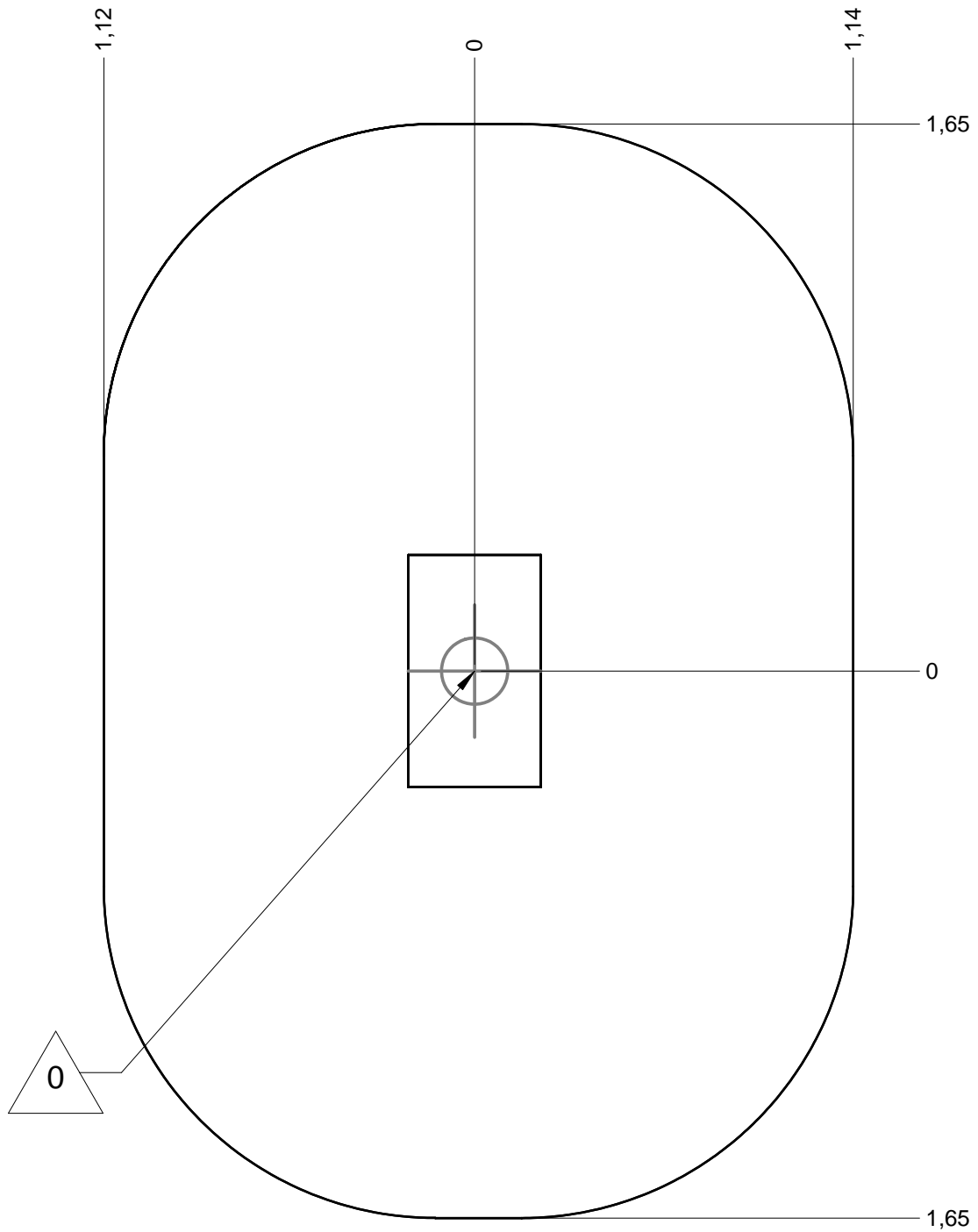


 $>1500 \text{ Kgs/m}^3$

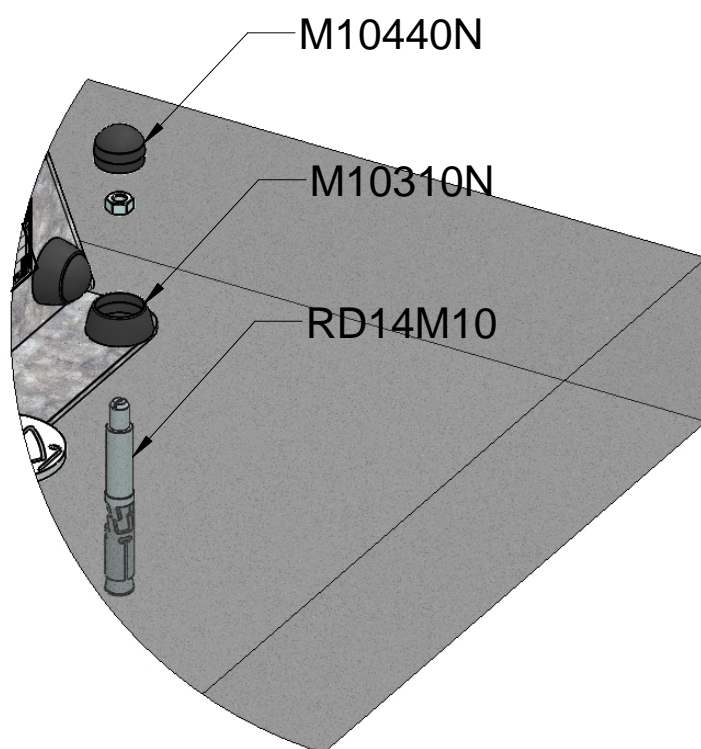
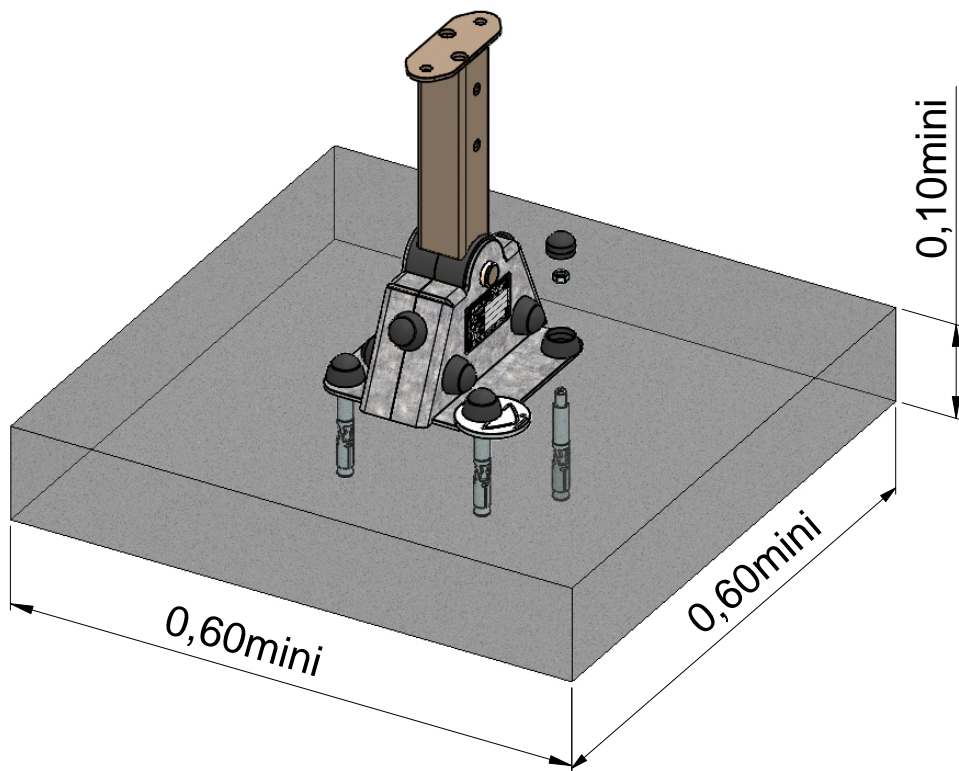
 $<1500 \text{ Kgs/m}^3$



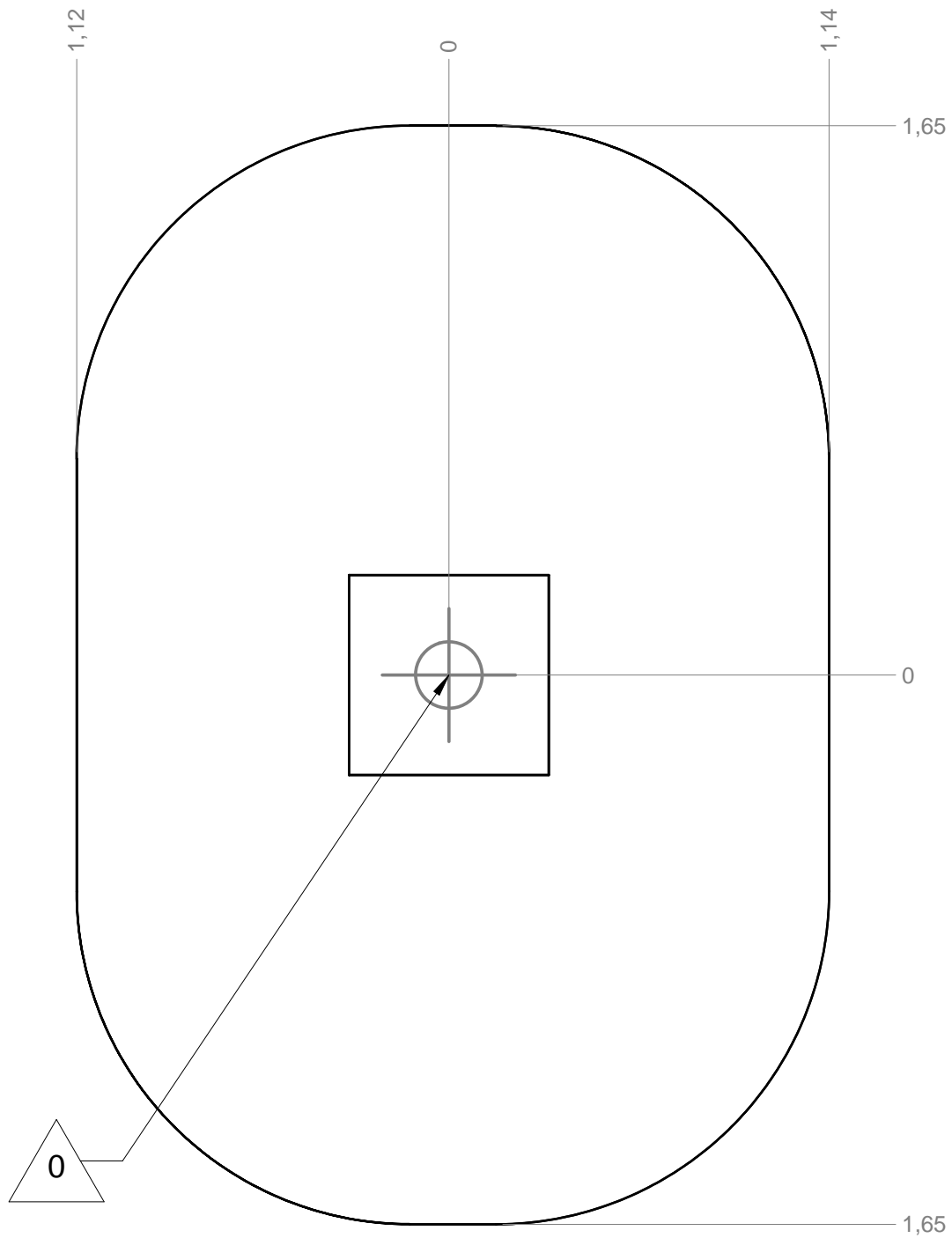
Implantation
Footing plan
Implantación
Fundamentplan
Funderingstekening



J....B



Implantation
Footing plan
Implantación
Fundamentplan
Funderingstekening



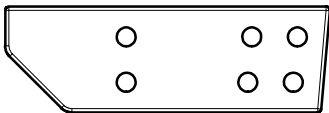
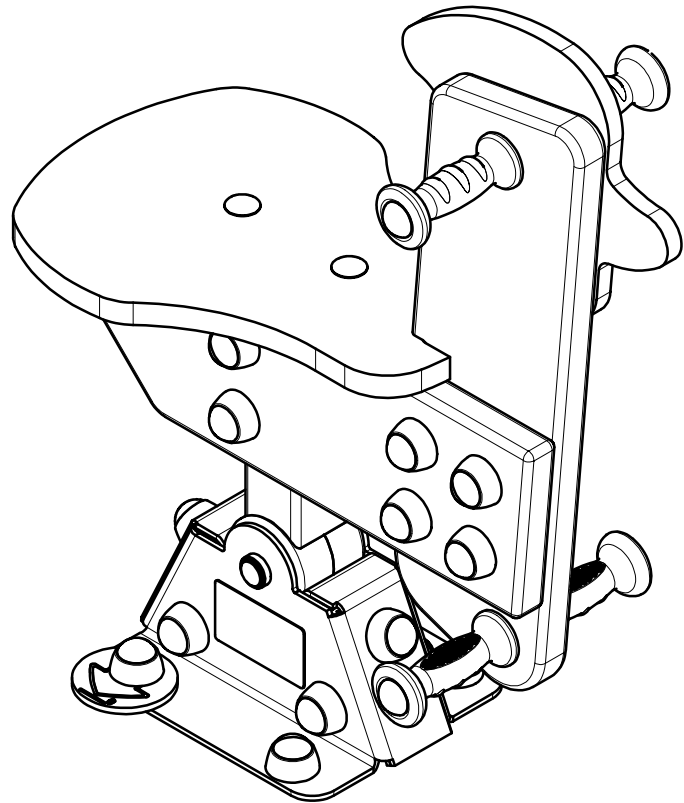
x1



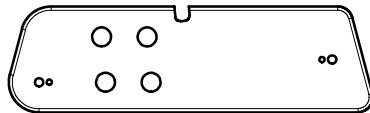
1H

RD14M10

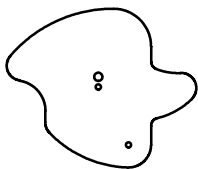




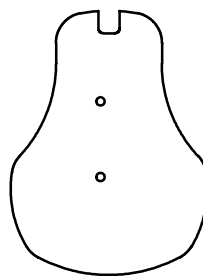
DM58104



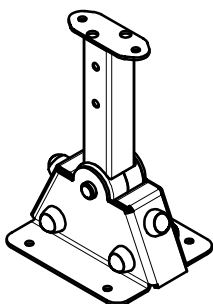
DM58105



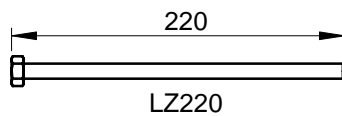
ET58107J



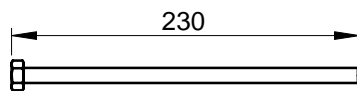
F58113



U58300

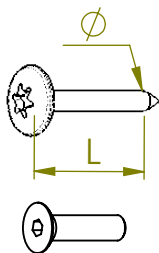


LZ220



LZ230

| Réf | Qté |
|------------|-----|
| DM58104 | 1 |
| DM58105 | 1 |
| ET58107J | 1 |
| F58113 | 1 |
| LA000 | 1 |
| LZ220 | 1 |
| LZ230 | 1 |
| M10310N | 19 |
| M10440N | 23 |
| MI0002 | 1 |
| MI820N | 4 |
| MU2614 | 6 |
| MU3908 | 4 |
| RD14M10 | 4 |
| U58300 | 1 |
| VBT6x30 | 1 |
| VEFM10 | 11 |
| VR10x22 | 2 |
| VTH10x70 | 4 |
| VTH10x100 | 2 |
| VTRCC10x40 | 2 |



VBT 6 x 30
 \varnothing \uparrow L (mm)

VFHC



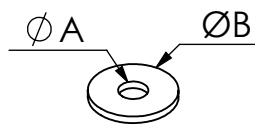
VEC M10
 \varnothing



VEF



VEB



VR6x18
 $\varnothing A$ $\varnothing B$

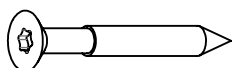
VTHA

< 14 N.m

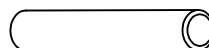
Couple de rupture
Breakage torque

1000 - 1800 RPM

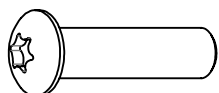
Vitesse de rotation
Rotation speed



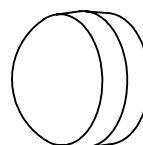
VWT



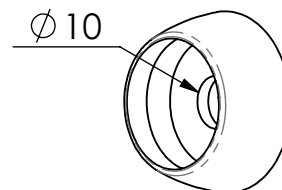
VGC



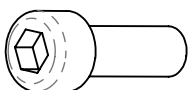
VCBHC



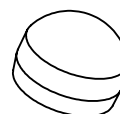
M10 440N



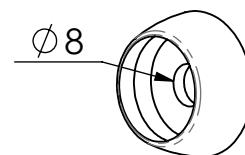
M10 310 N



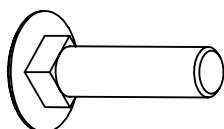
VBTR



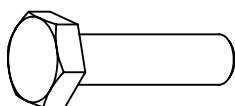
M8 440N



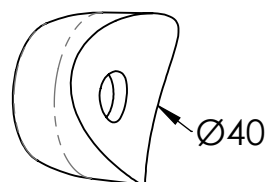
M8 310N



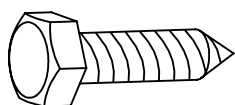
VTRCC



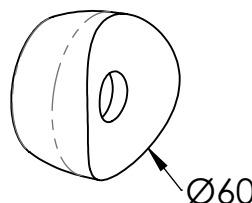
VTH



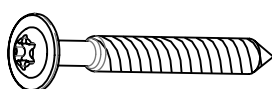
MI2503



VTF

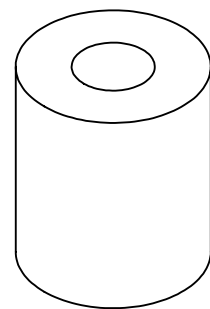
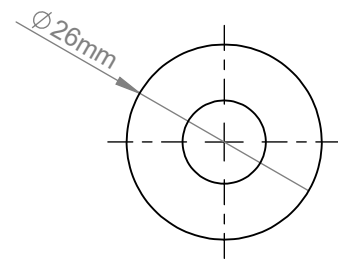
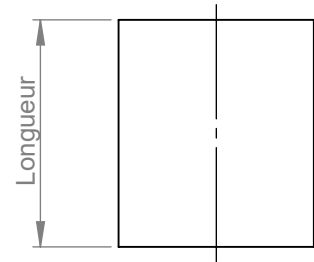


MI2701

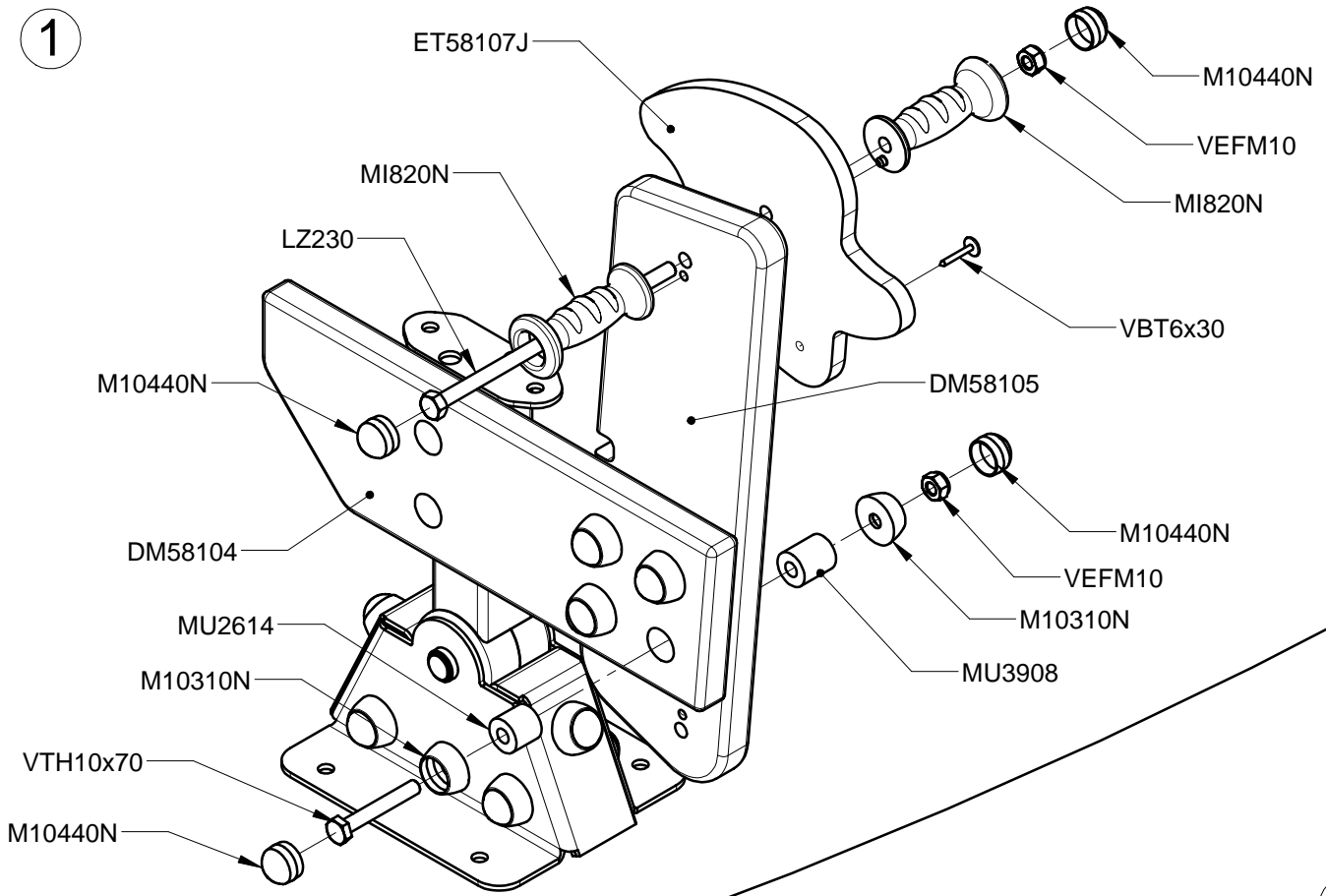


VBT

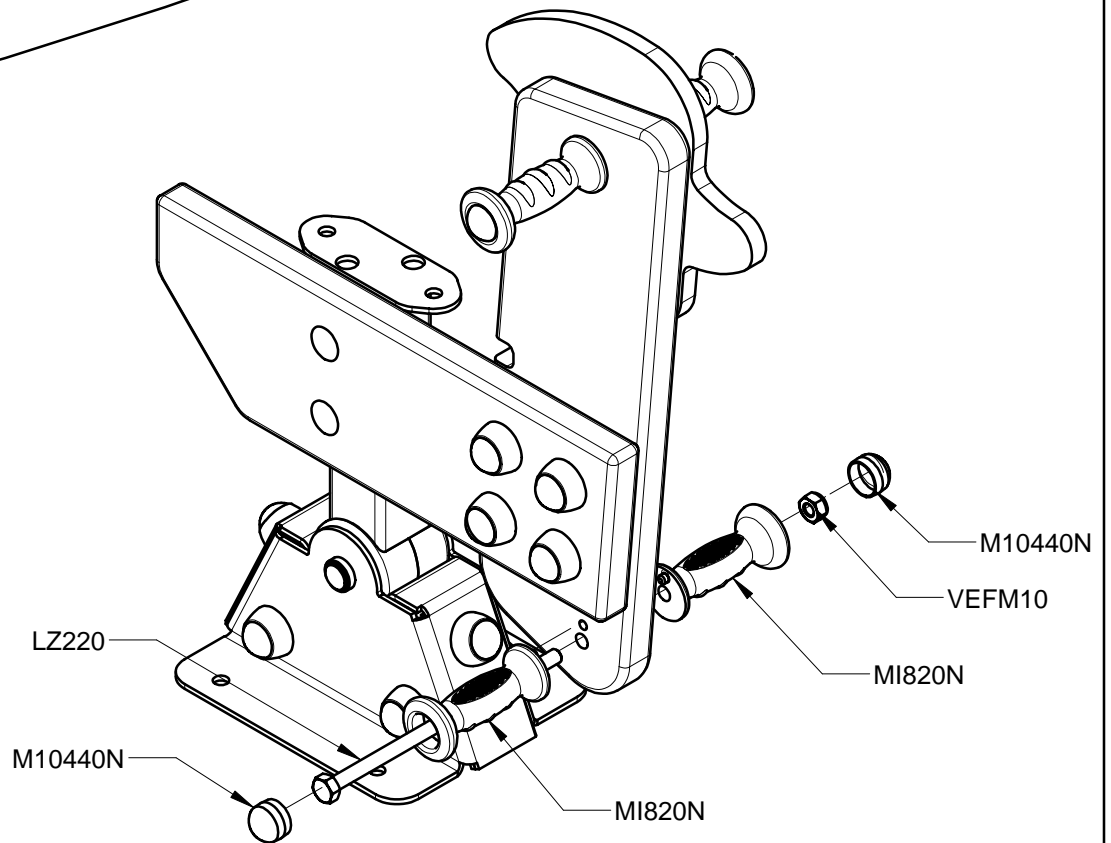
| REF | Désignation | Matière | Longueur |
|--------|-------------|------------|----------|
| MU1012 | LG 425 | PVC rigide | 425 |
| MU1050 | LG 401 | PVC rigide | 401 |
| MU2355 | LG 594 | PVC rigide | 594 |
| MU2507 | LG 110 | PVC rigide | 110 |
| MU2603 | LG 40 | PVC rigide | 40 |
| MU2614 | LG 24 | PVC rigide | 24 |
| MU277 | LG 150 | PVC rigide | 150 |
| MU3502 | LG 148 | PVC rigide | 148 |
| MU3508 | LG 55 | PVC rigide | 55 |
| MU3801 | LG 90 | PVC rigide | 90 |
| MU3903 | LG 114 | PVC rigide | 114 |
| MU3906 | LG 250 | PVC rigide | 250 |
| MU3908 | LG 30 | PVC rigide | 30 |
| MU3909 | LG 10 | PVC rigide | 10 |
| MU440 | LG 100 | PVC rigide | 100 |
| MU4700 | LG 15 | PVC rigide | 15 |
| MU5012 | LG 125 | PVC rigide | 125 |
| MU502 | LG 185 | PVC rigide | 185 |
| MU5600 | LG 87 | PVC rigide | 87 |
| MU720 | LG 720 | PVC rigide | 720 |
| MU9000 | LG 555 | PVC rigide | 555 |
| MU9001 | LG 36 | PVC rigide | 36 |
| MU9002 | LG 42 | PVC rigide | 42 |
| MU9004 | LG 405 | PVC rigide | 405 |
| MU901 | LG 70 | PVC rigide | 70 |
| MU902 | LG 226 | PVC rigide | 226 |
| MU903 | LG 296 | PVC rigide | 296 |
| MU904 | LG 21,5 | PVC rigide | 21,5 |
| MU905 | LG 330 | PVC rigide | 330 |
| MU910 | LG 60 | PVC rigide | 60 |
| MU930 | LG 80 | PVC rigide | 80 |
| | | | |
| | | | |
| | | | |
| | | | |



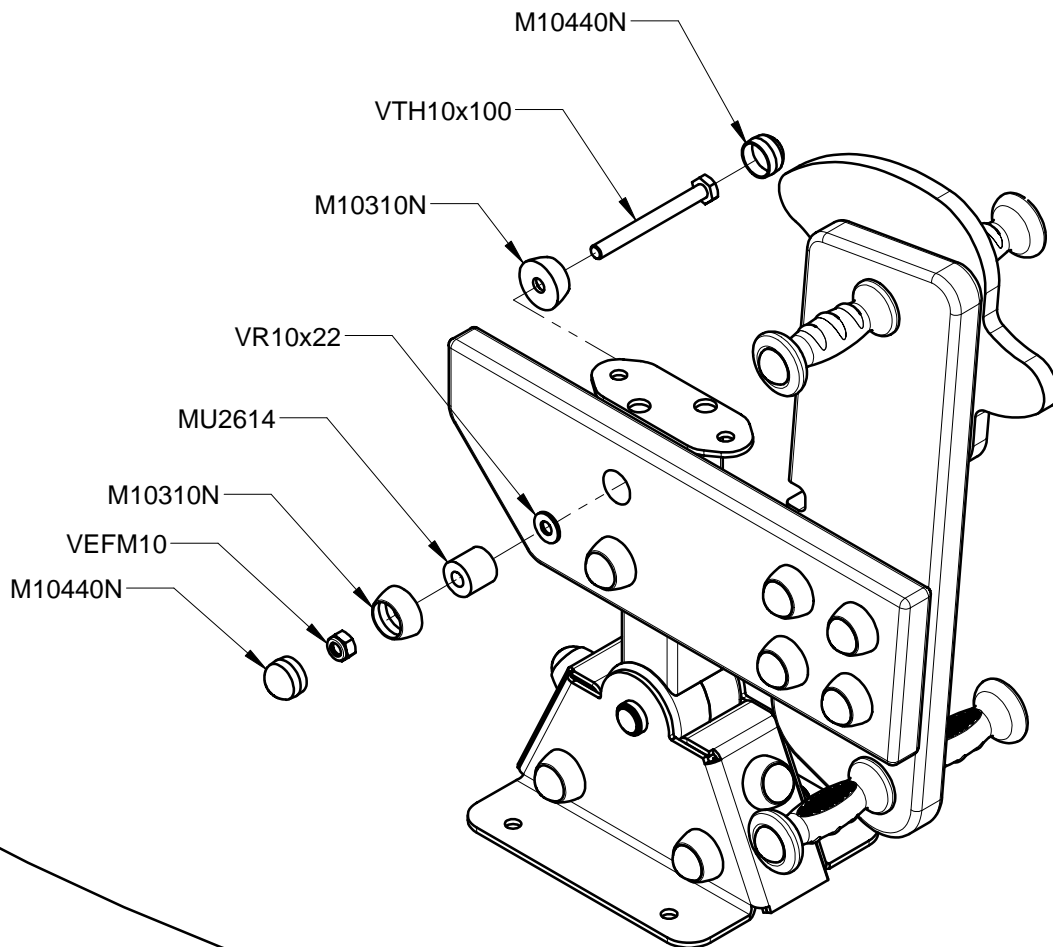
1



2



3



4

