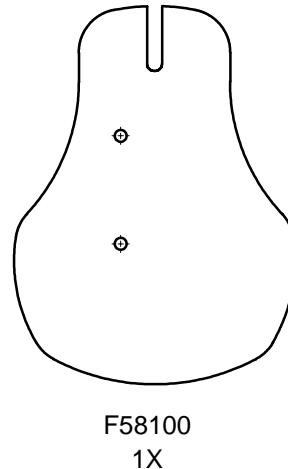
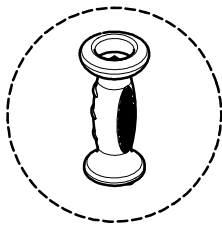


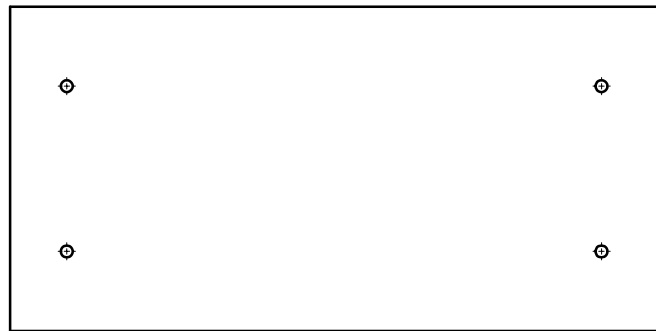
ET58102PL
1X



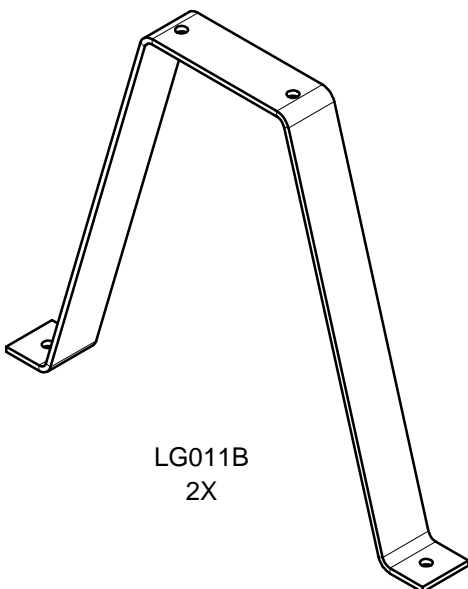
F58100
1X



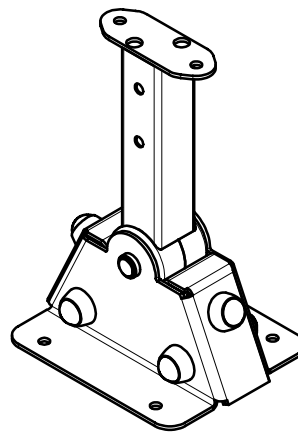
MI820N
4X



EHS58115
1X



LG011B
2X



U58300
1X

LA000	1
M10310N	10
M10440N	14
MI0002	1
VEFM10	14
VTH10x30	4
VTH10x40	4
VTRCC10x200	2
VTH10x80	2
VTRCC10x40	2



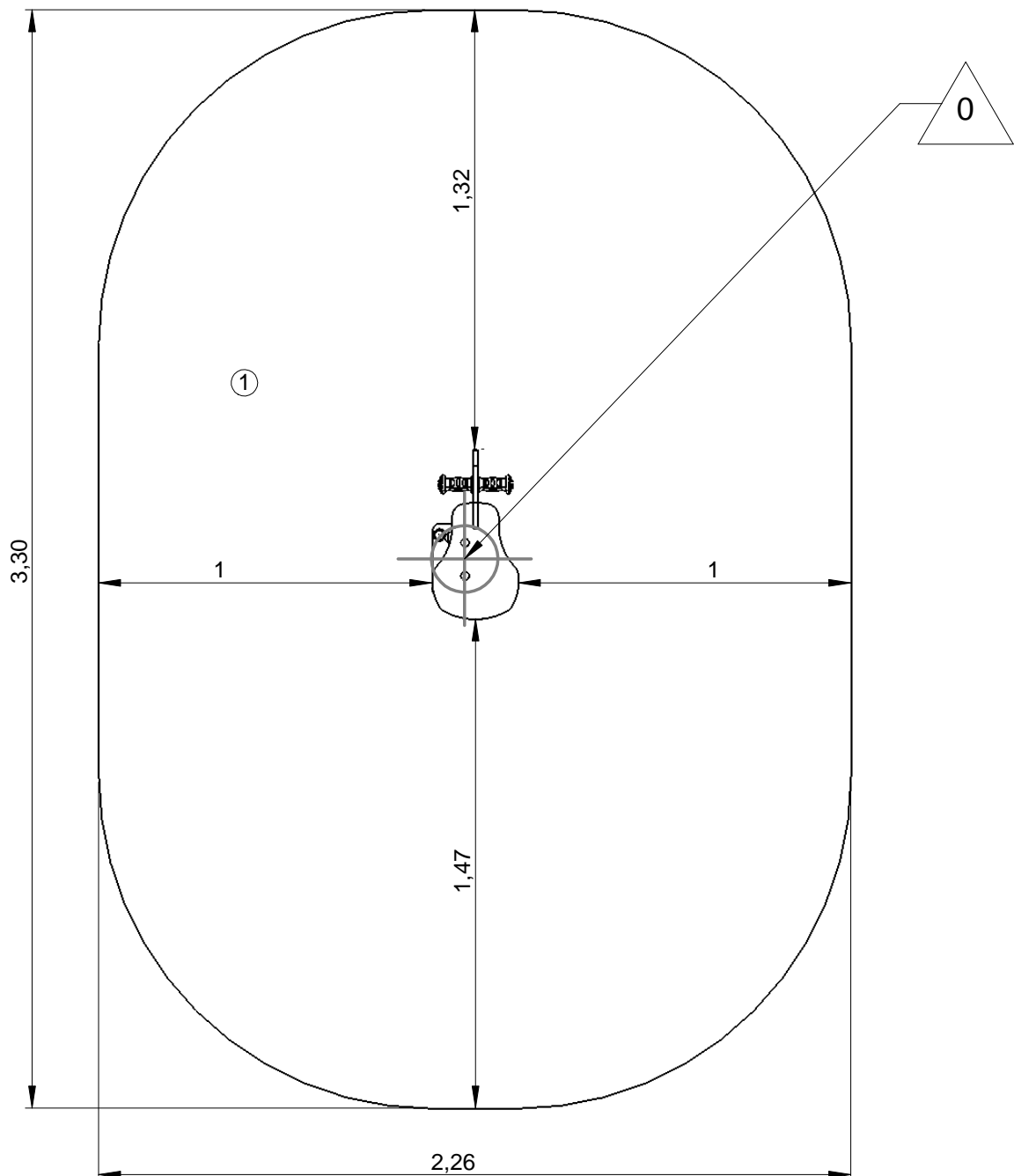
N°		
1	0.6 m	7 m ²

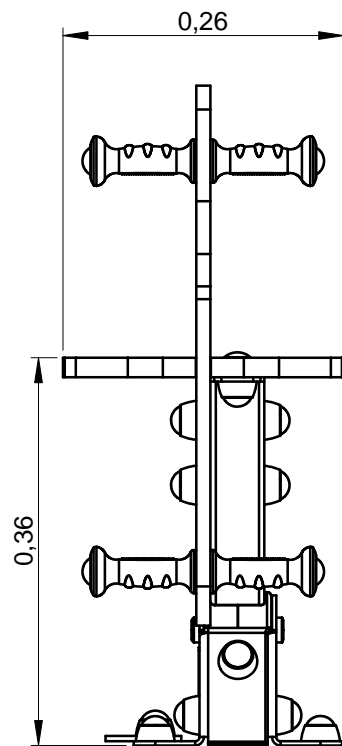
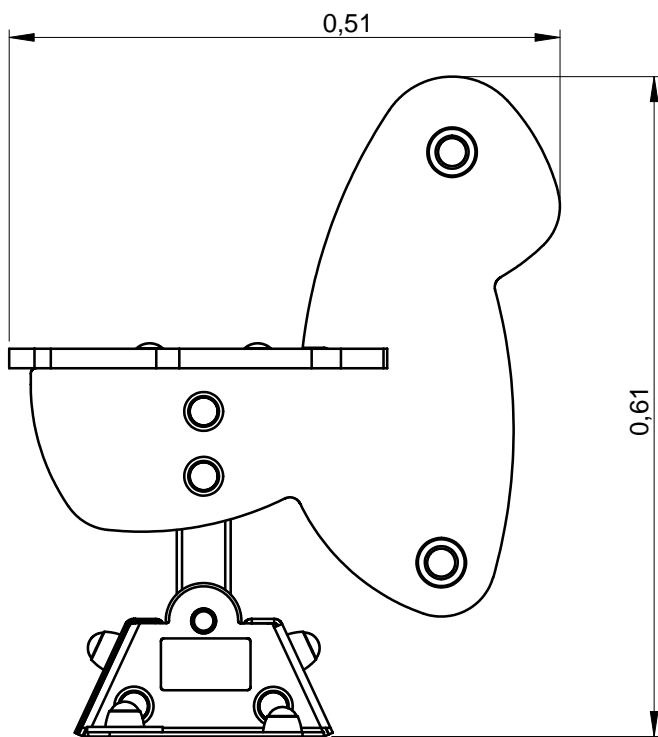
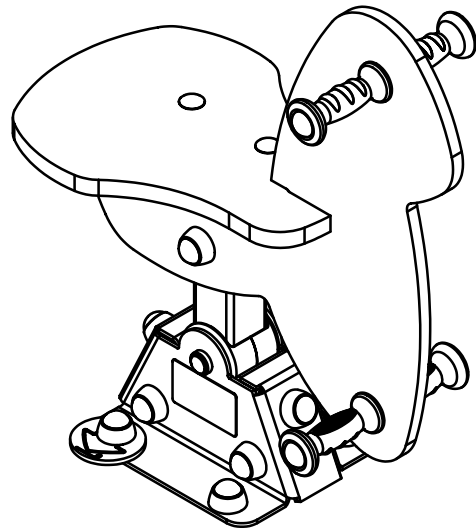
— Zone d'impact
Impact area
Area de impacto
Fallraum
Valzone



Point de référence
Setting out point
Punto de referencia
Bezugspunkt
Referentiepunt

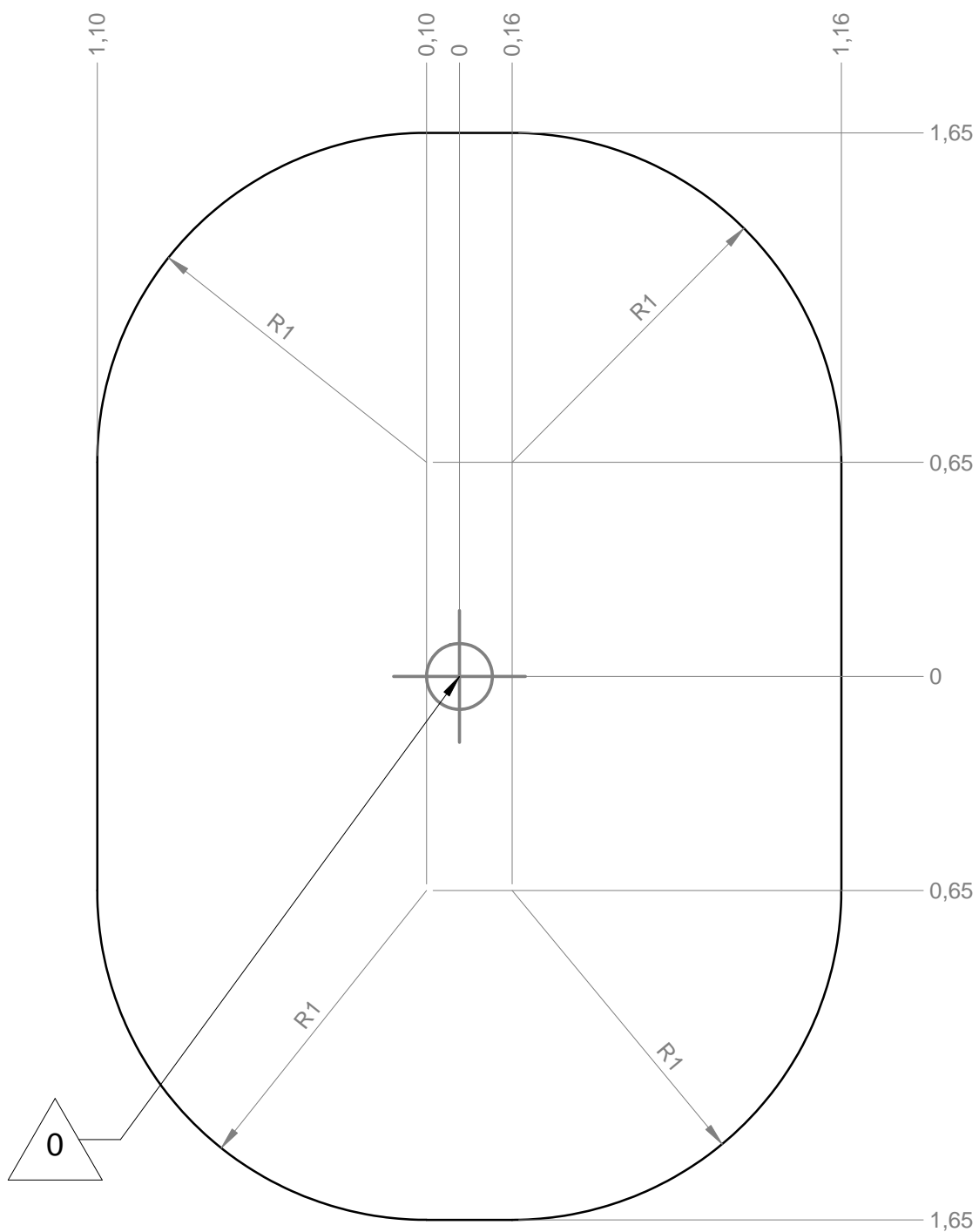
EN1176-1:2017
EN1176-6:2017





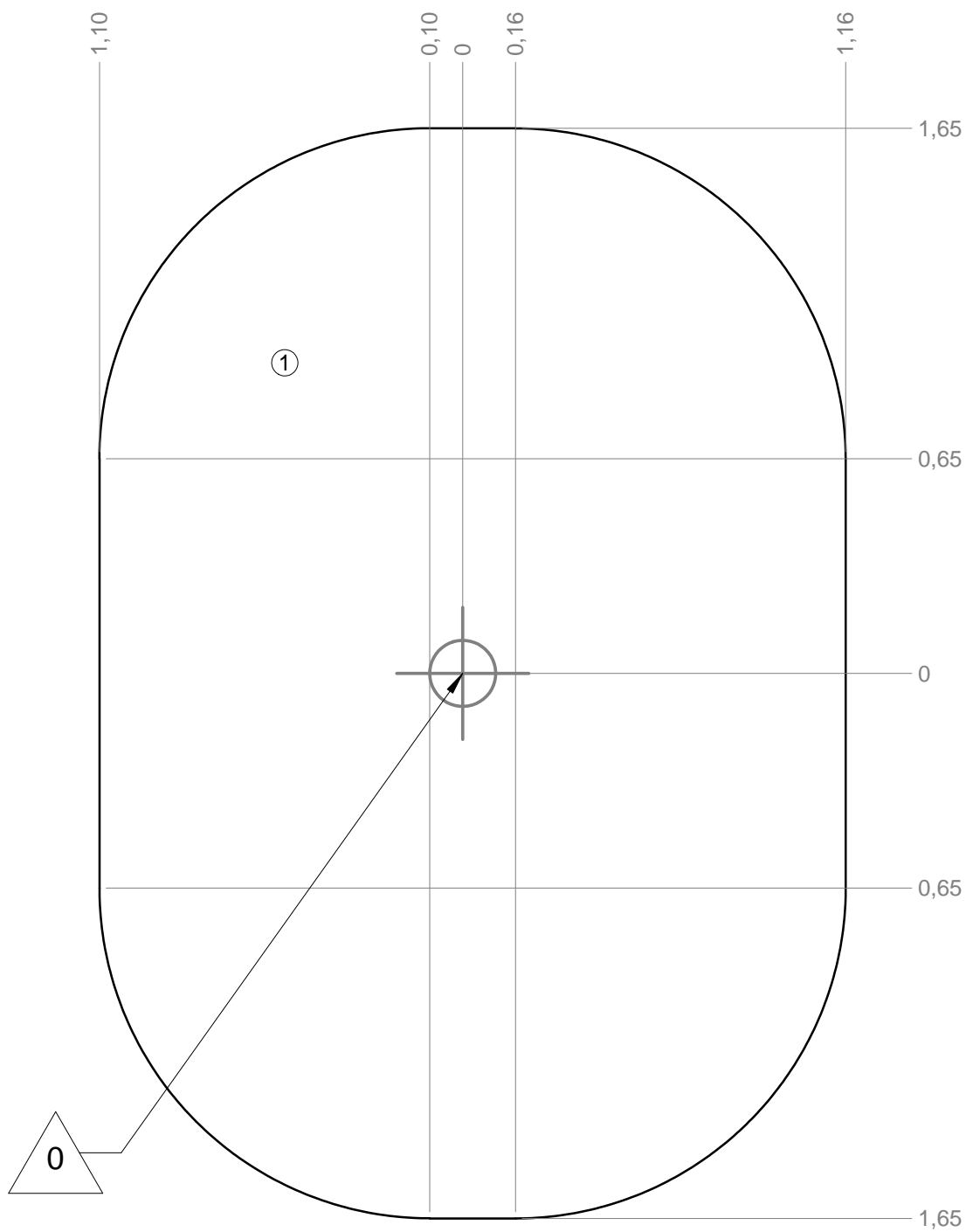
— Zone d'impact
 Impact area
 Area de impacto
 Fallraum
 Valzone

7 m²



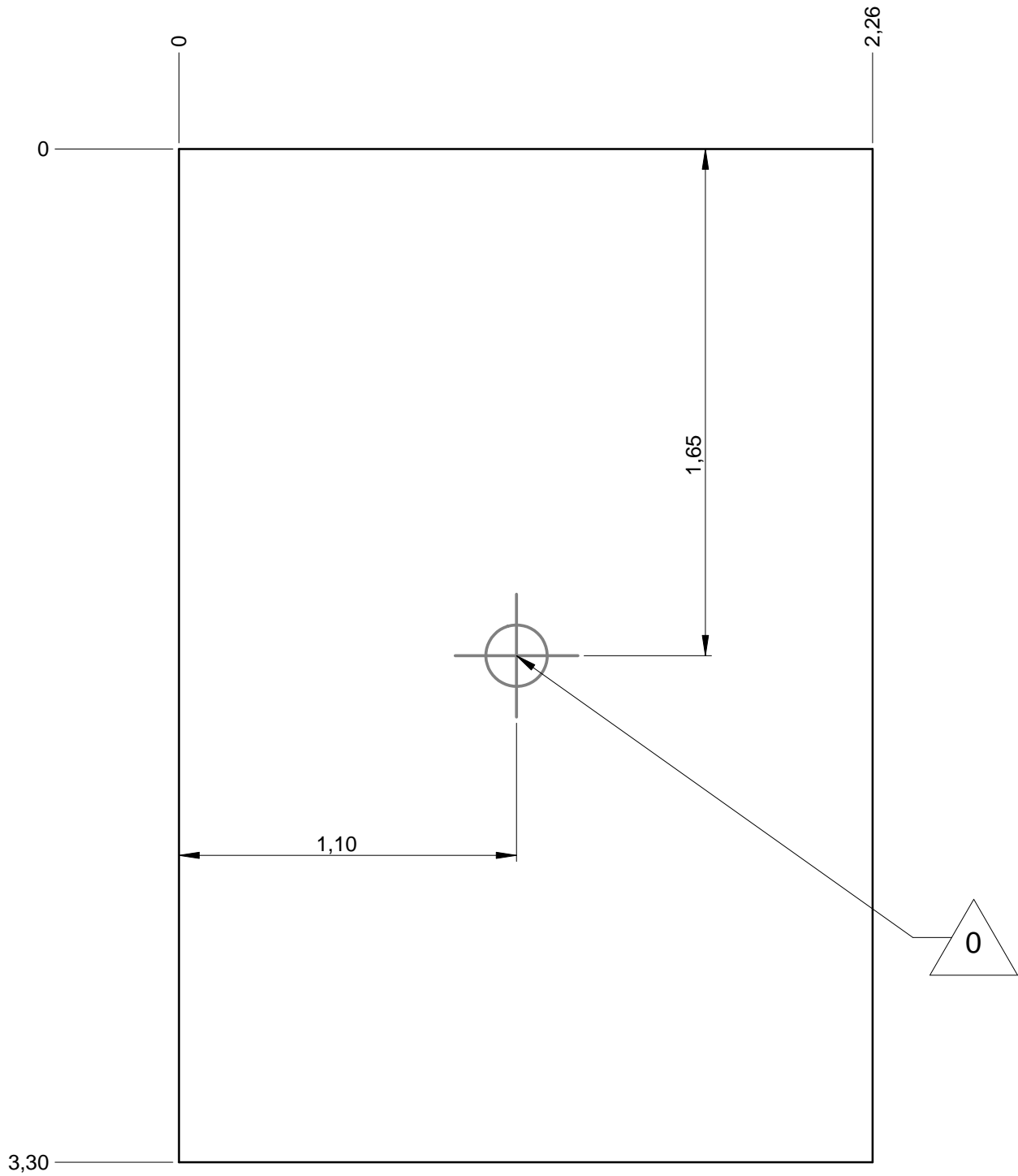
— Sol souple
Wetpour
Caucho continuo
Synthetischer Fallschutz
Gietvloer

7 m²



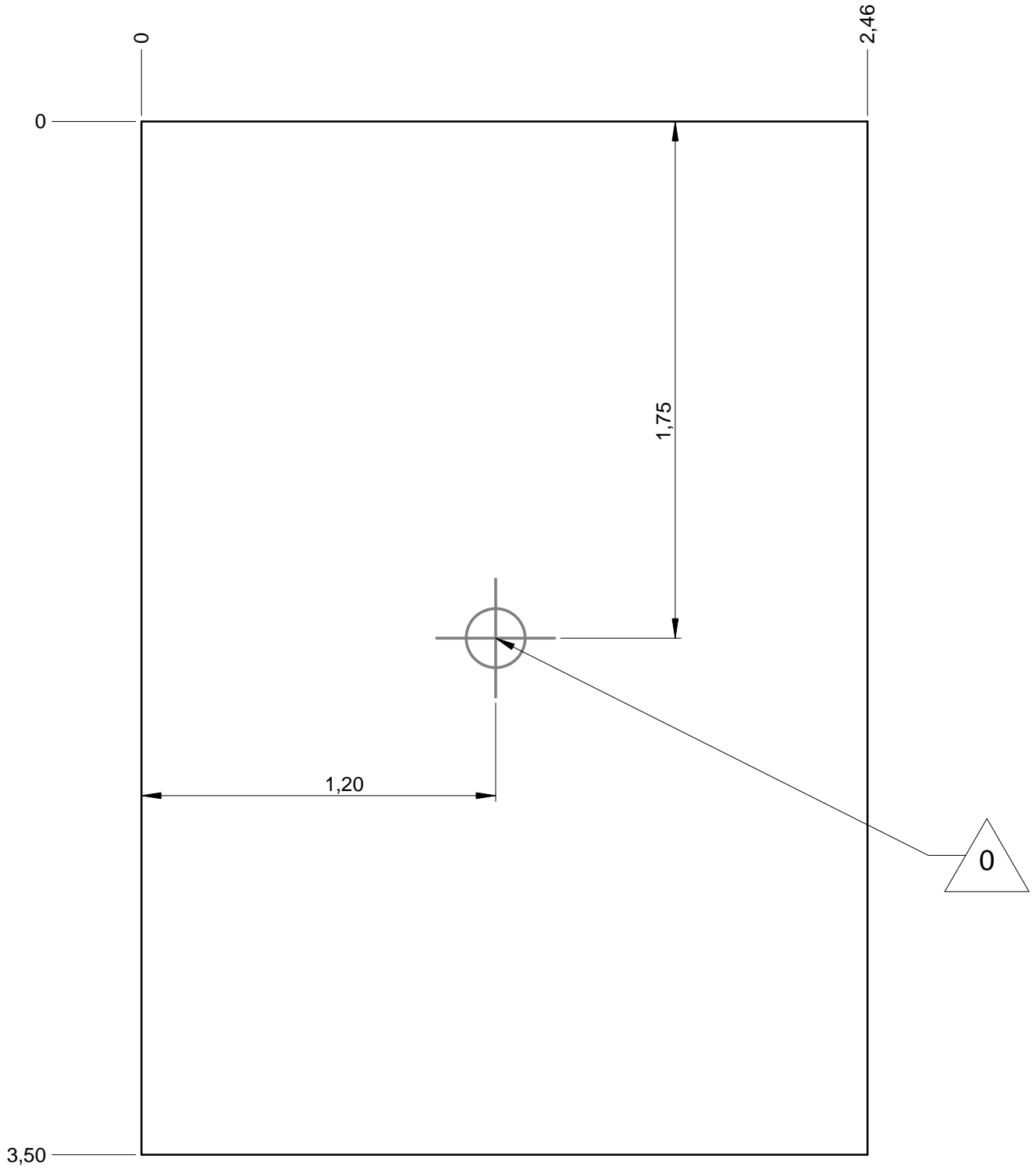
— Dalle béton
Concrete pad
Solera de hormigon
Beton Bodenplatte
Betonnen bodemplaat

12 m
8 m²

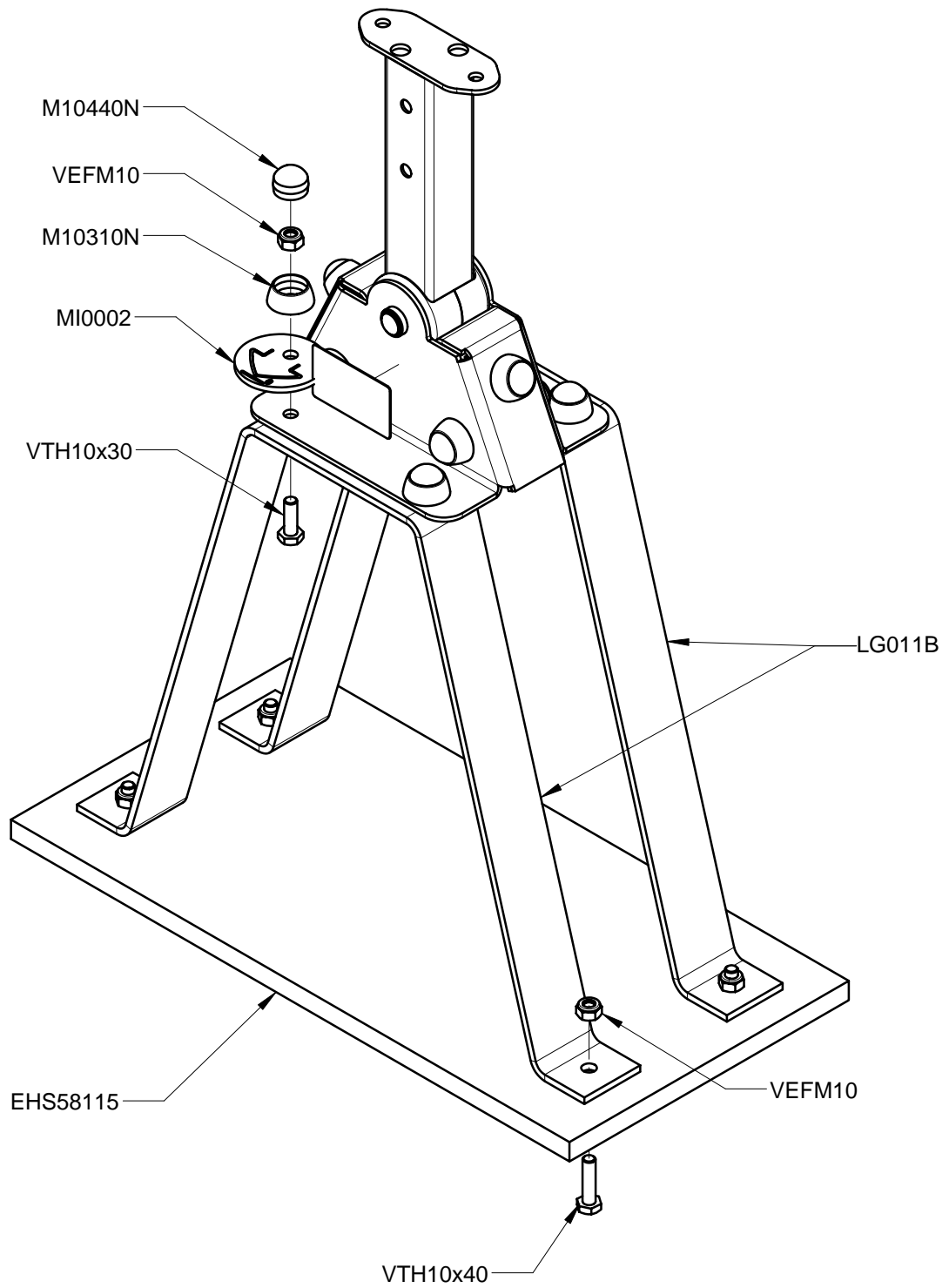


— Sol fluent
— Loos partucule material
— Arenero
— Loses Bodenmaterial
— Los bodemmateriaal

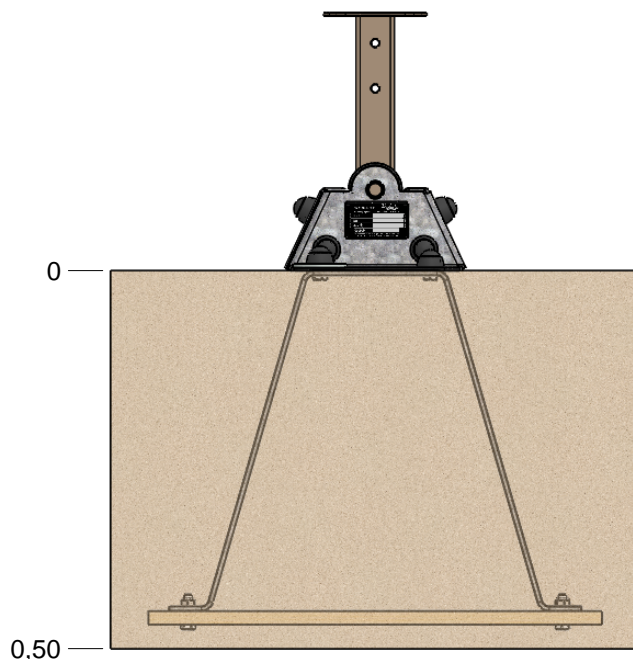
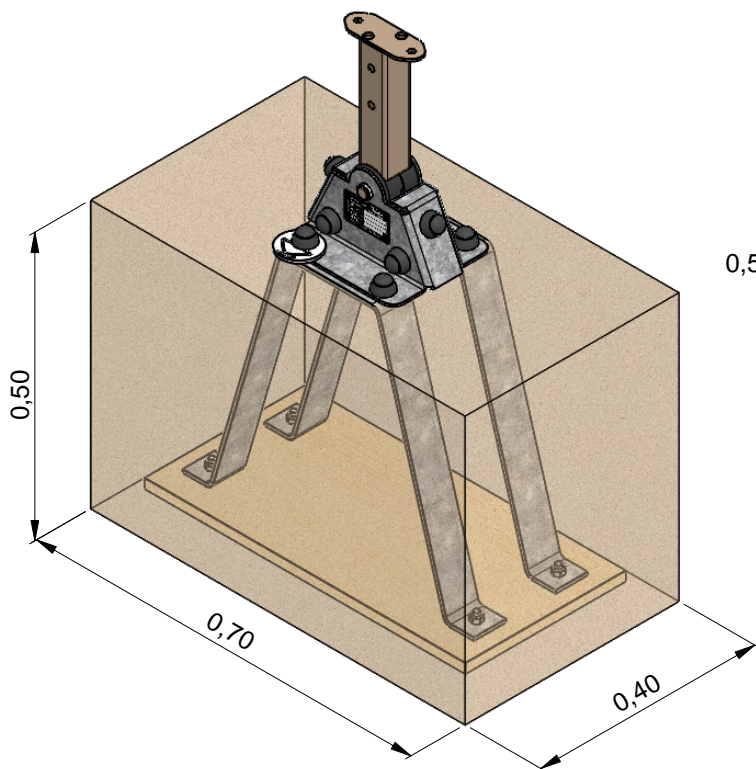
12 m
9 m²




J....A

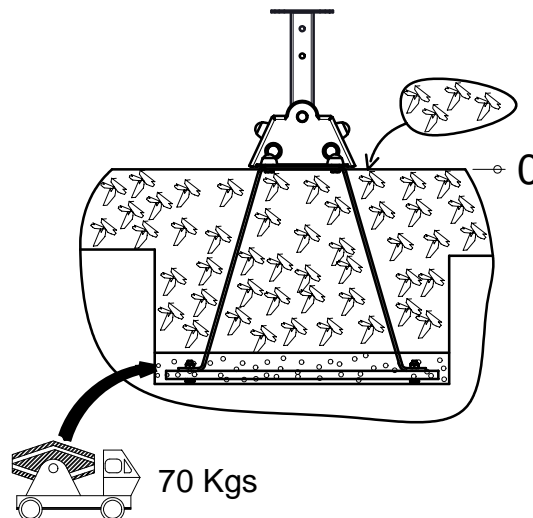
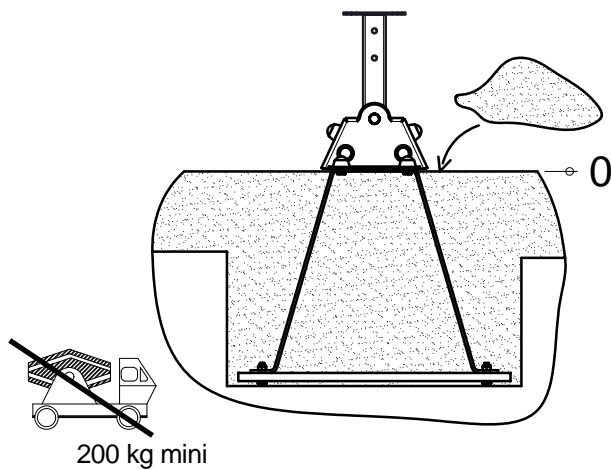


J.....A

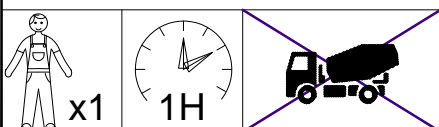
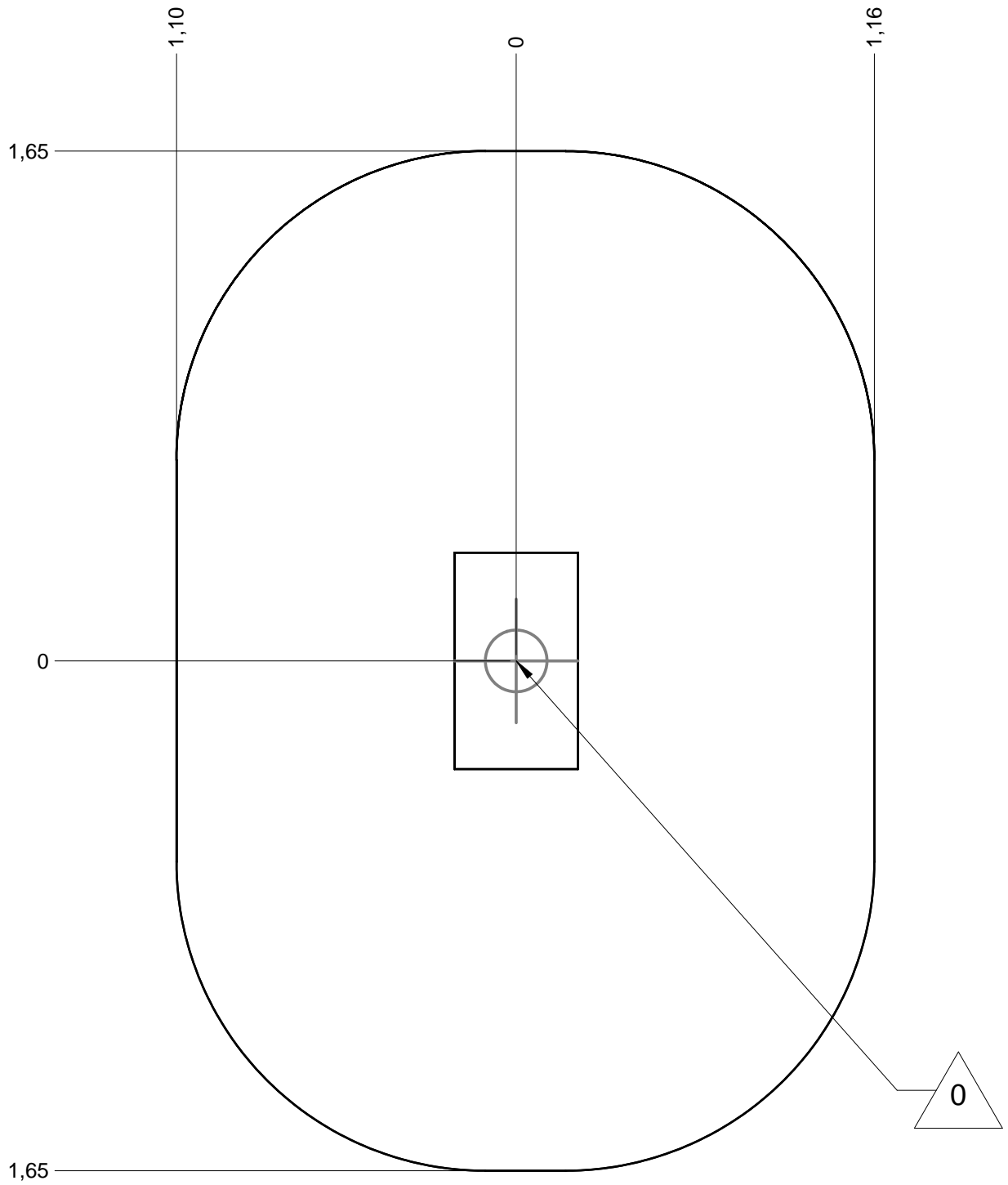


 $> 1500 \text{ Kgs/m}^3$

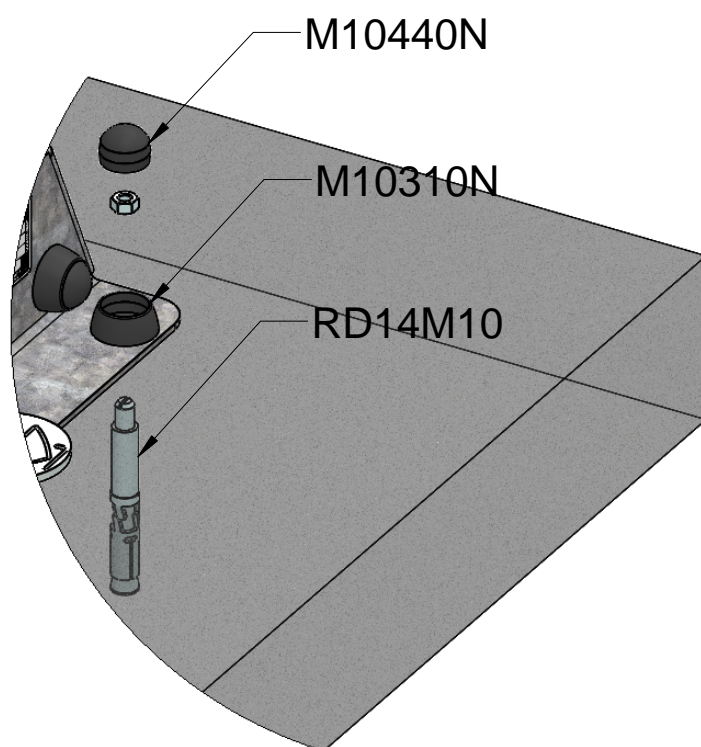
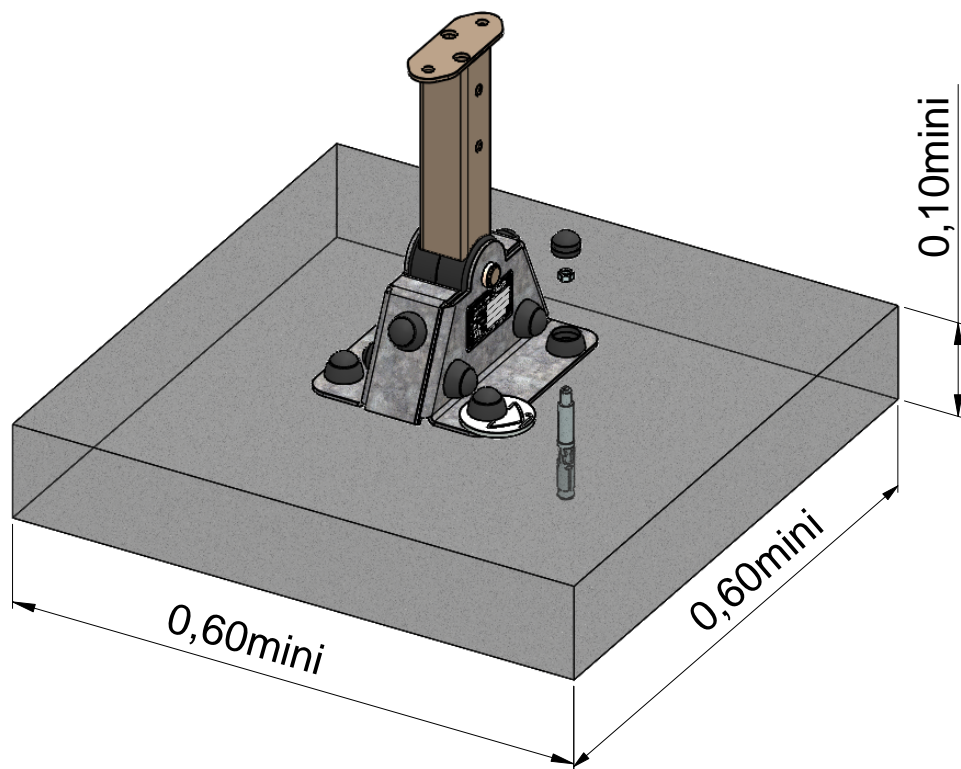
 $< 1500 \text{ Kgs/m}^3$



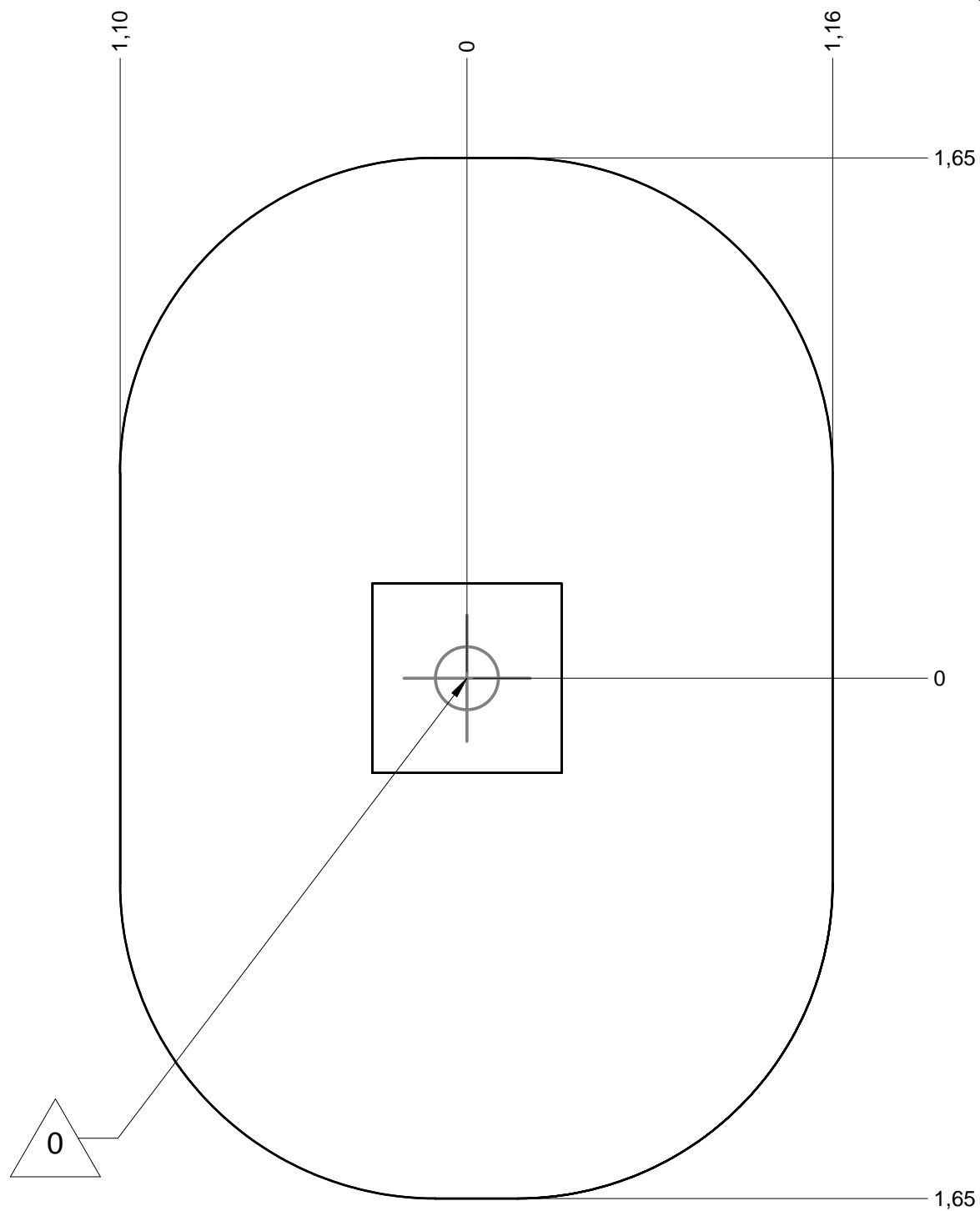
Implantation
Footing plan
Implantación
Fundamentplan
Funderingstekening






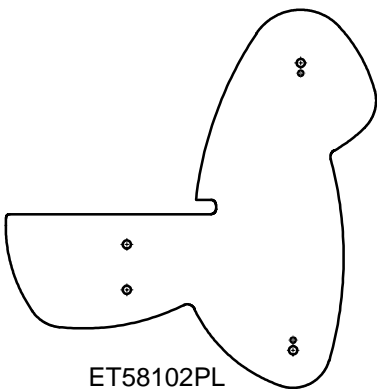
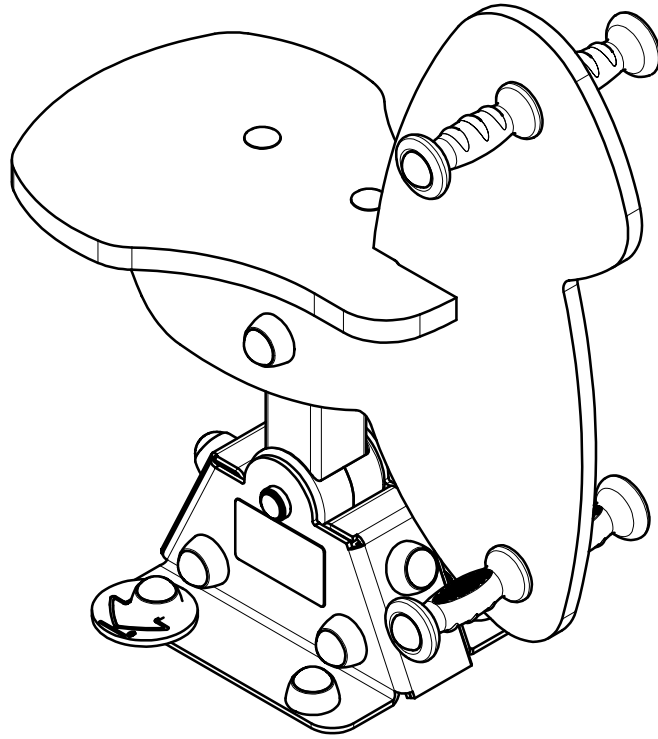
J....B



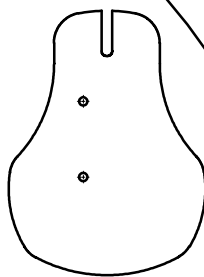
Implantation
Footing plan
Implantación
Fundamentplan
Funderingstekening



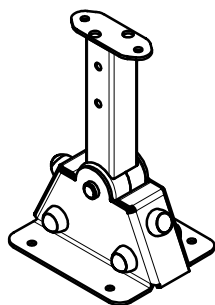
 x1	 1H	 RD14M10
---	--	---



ET58102PL

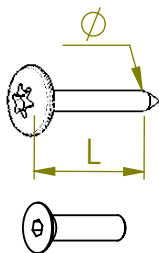


F58100



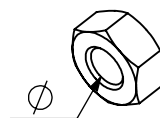
U58300

ET58102PL	1
F58100	1
LA000	1
M10310N	10
M10440N	14
MI0002	1
MI820N	4
RD14M10	4
U58300	1
VEFM10	6
VTRCC10x200	2
VTH10x80	2
VTRCC10x40	2



VBT 6 x 30
 \varnothing \uparrow L (mm)

VFHC



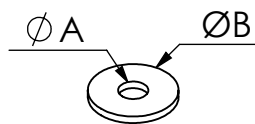
VEC M10
 \varnothing



VEF



VEB

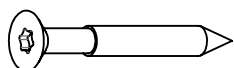


VR6x18
 $\varnothing A$ $\varnothing B$

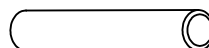
VTHA

1000 - 1800 RPM
 Vitesse de rotation
 Rotation speed

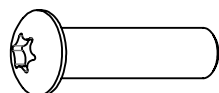
< 14 N.m
 Couple de rupture
 Breakage torque



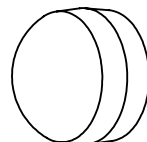
VWT



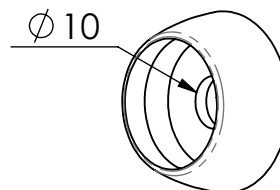
VGC



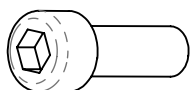
VCBHC



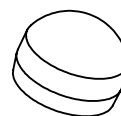
M10 440N



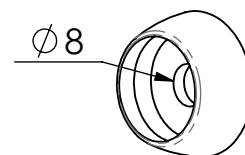
M10 310 N



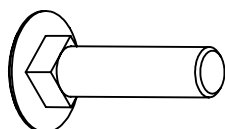
VBTR



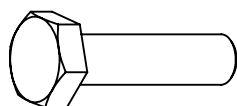
M8 440N



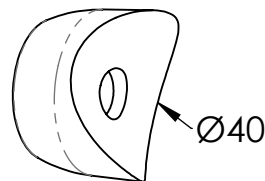
M8 310N



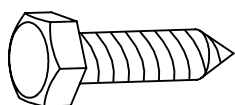
VTRCC



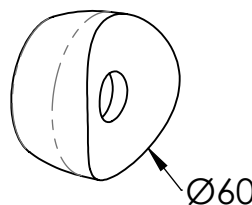
VTH



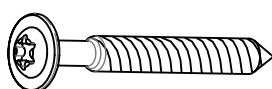
MI2503



VTF

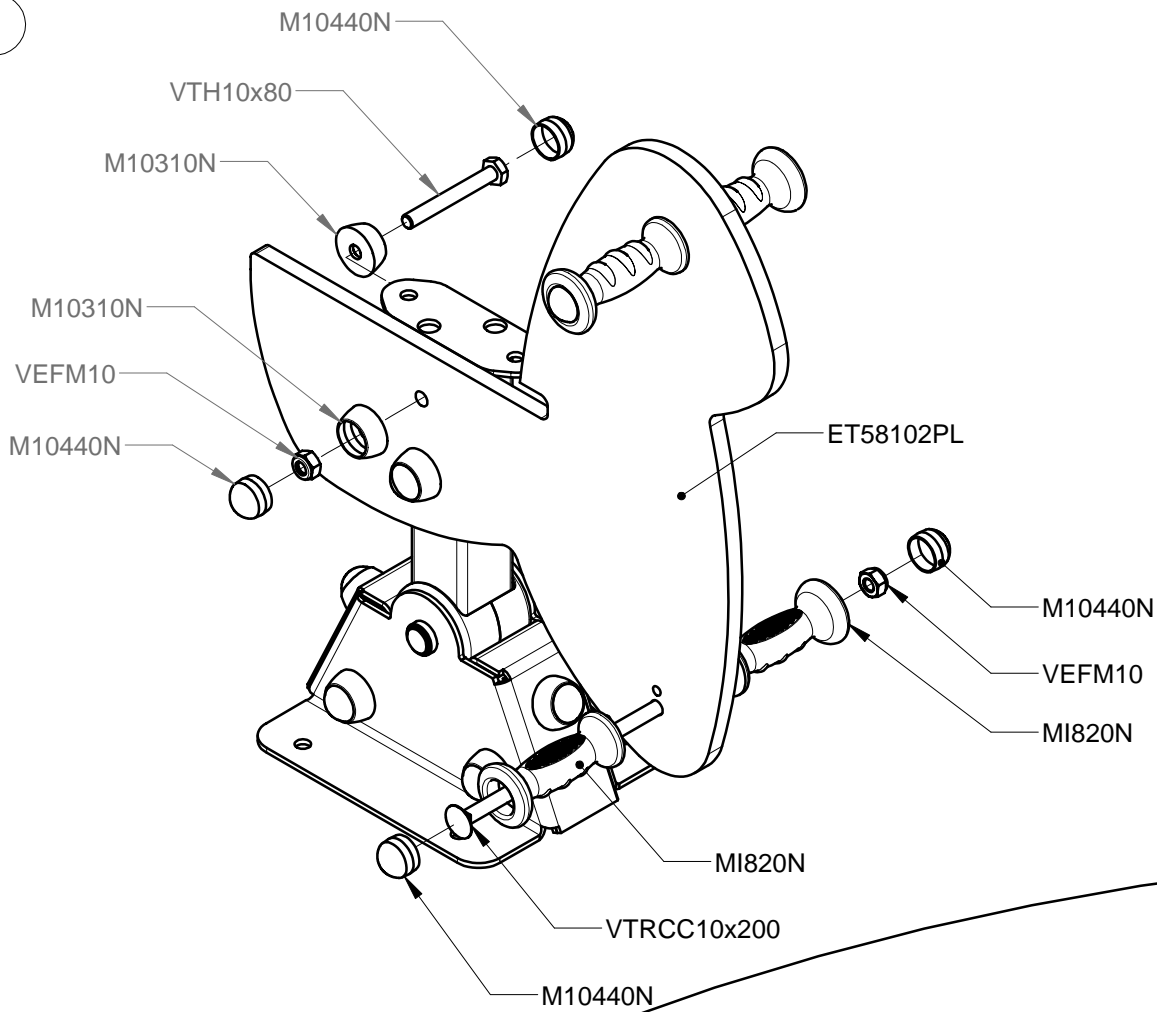


MI2701



VBT

1



2

