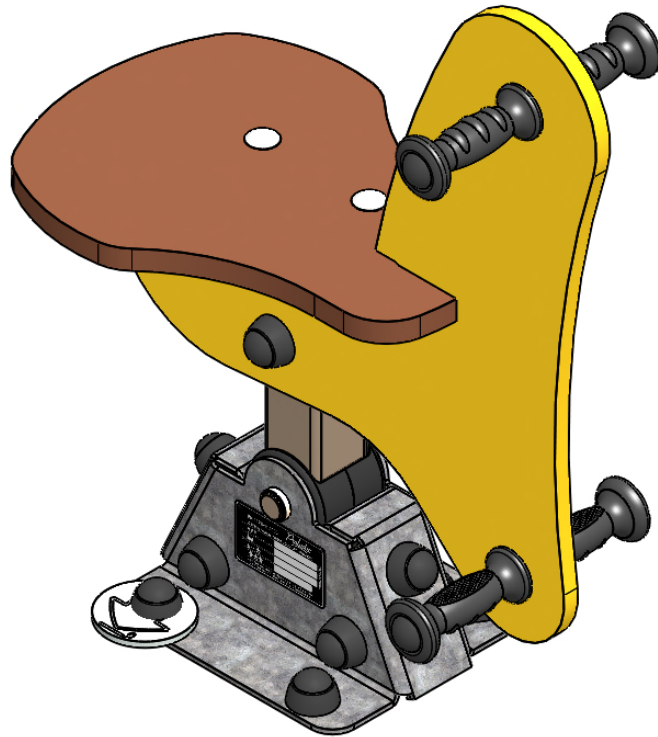
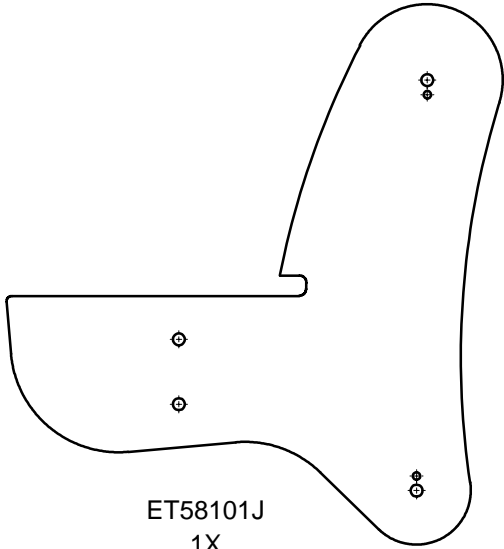


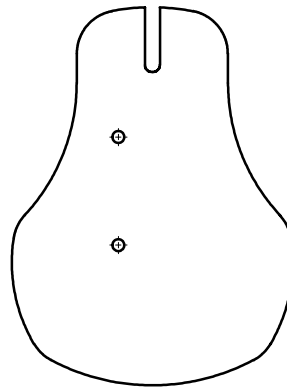
J58300

Proludic

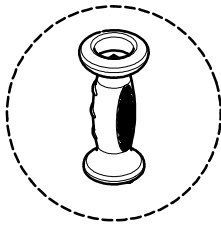




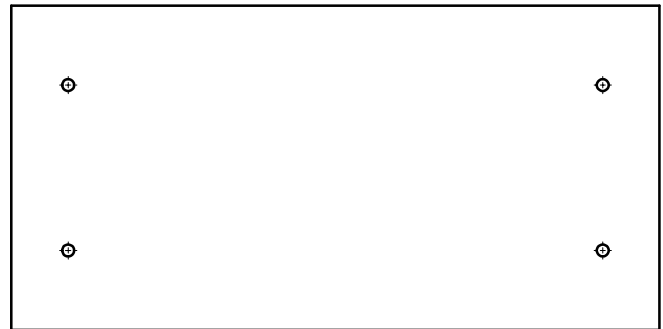
ET58101J
1X



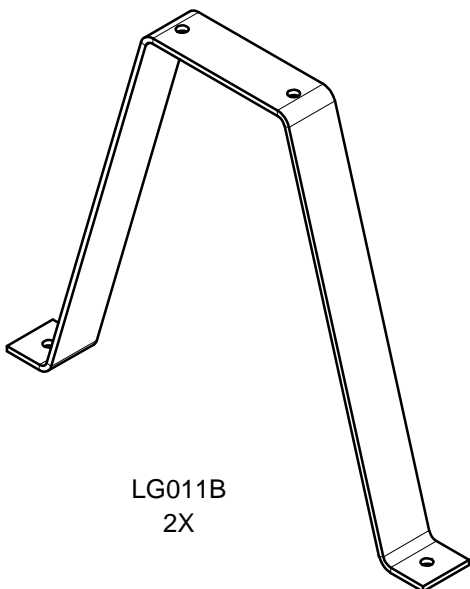
F58100
1X



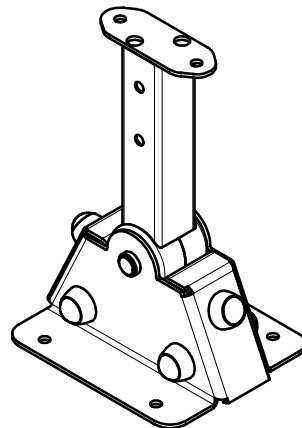
MI820N
4X



EHS58115
1X



LG011B
2X

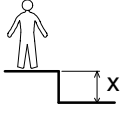
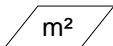


U58300
1X

LA000	1
M10310N	10
M10440N	14
MI0002	1
VEFM10	14
VTH10x30	4
VTH10x40	4
VTH10x80	2
VTRCC10x40	2
VTRCC10x200	2



ProLudic

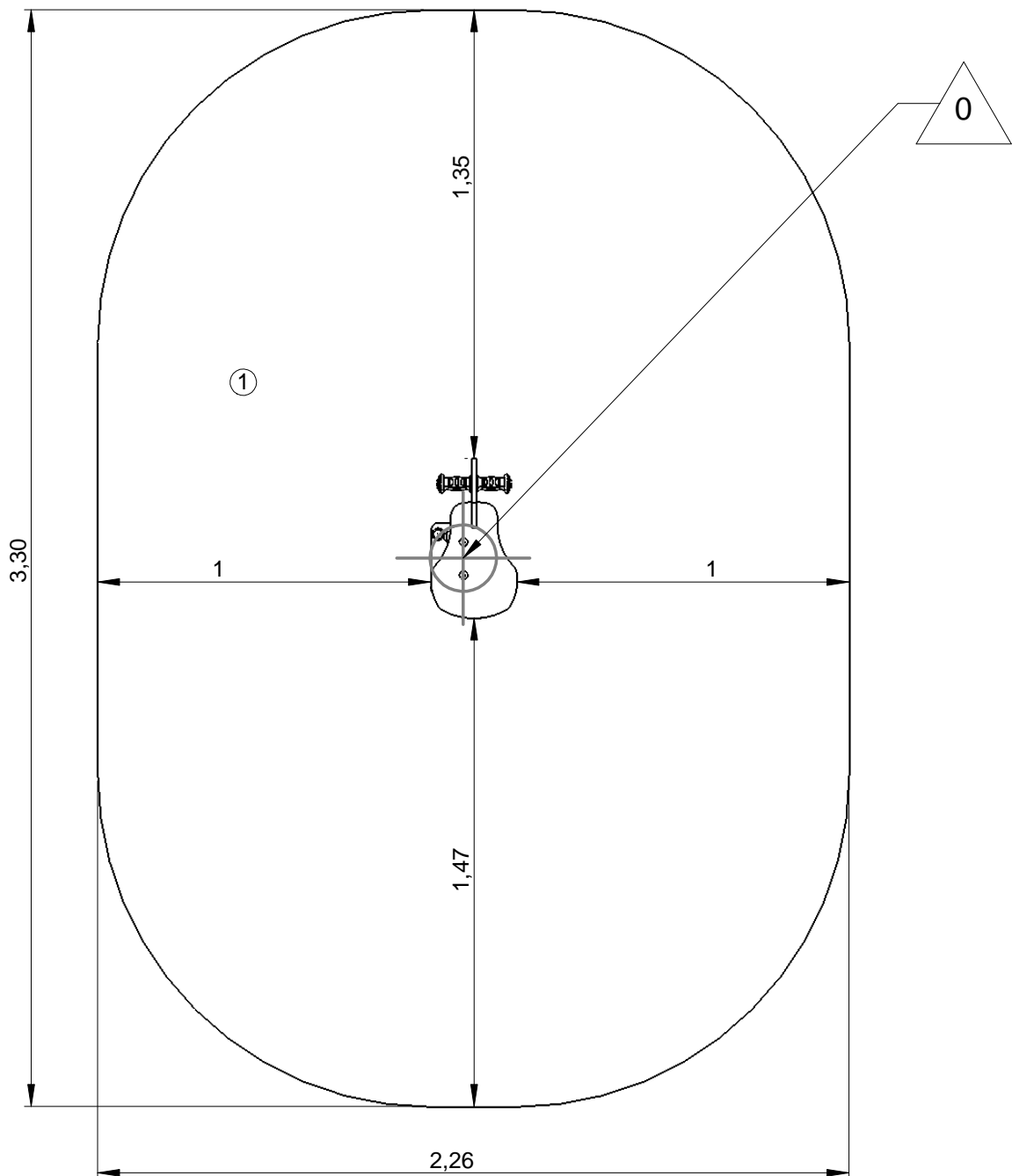
N°		
1	0.6 m	7 m ²

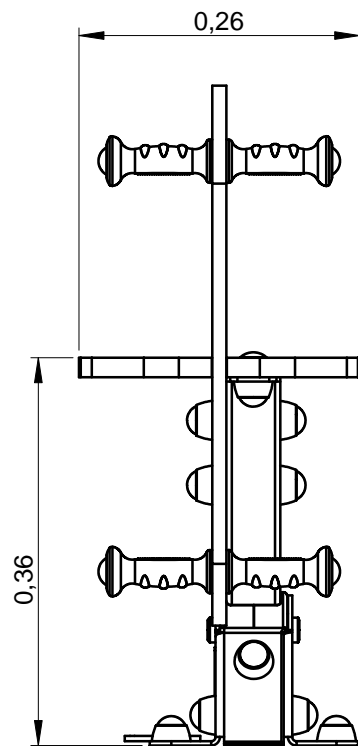
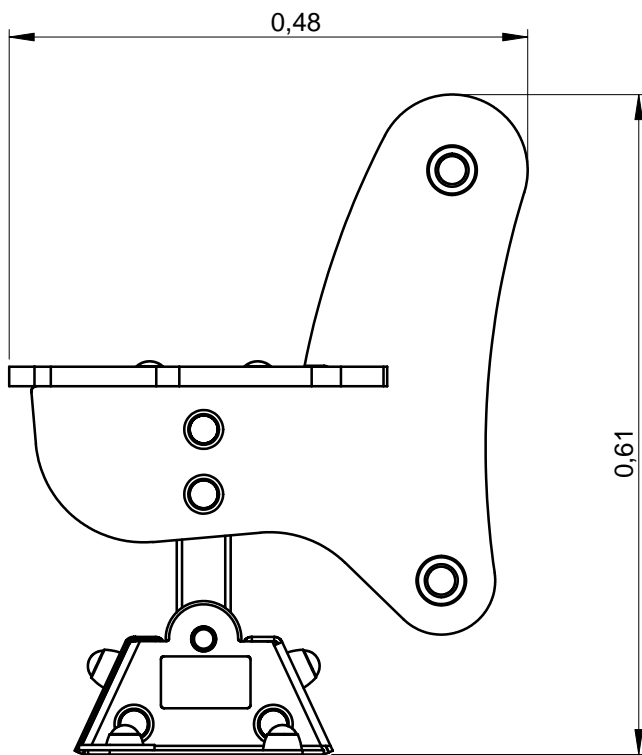
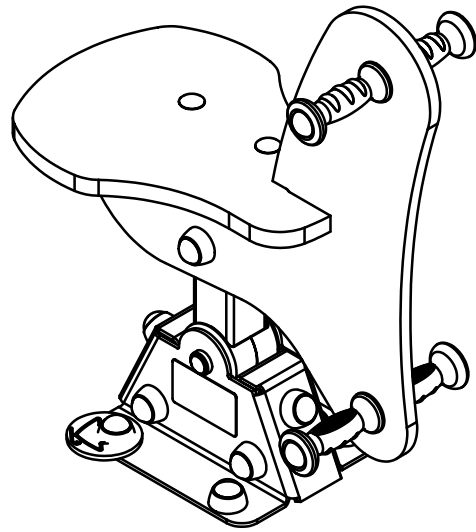
— Zone d'impact
Impact area
Area de impacto
Fallraum
Valzone



Point de référence
Setting out point
Punto de referencia
Bezugspunkt
Referentiepunt

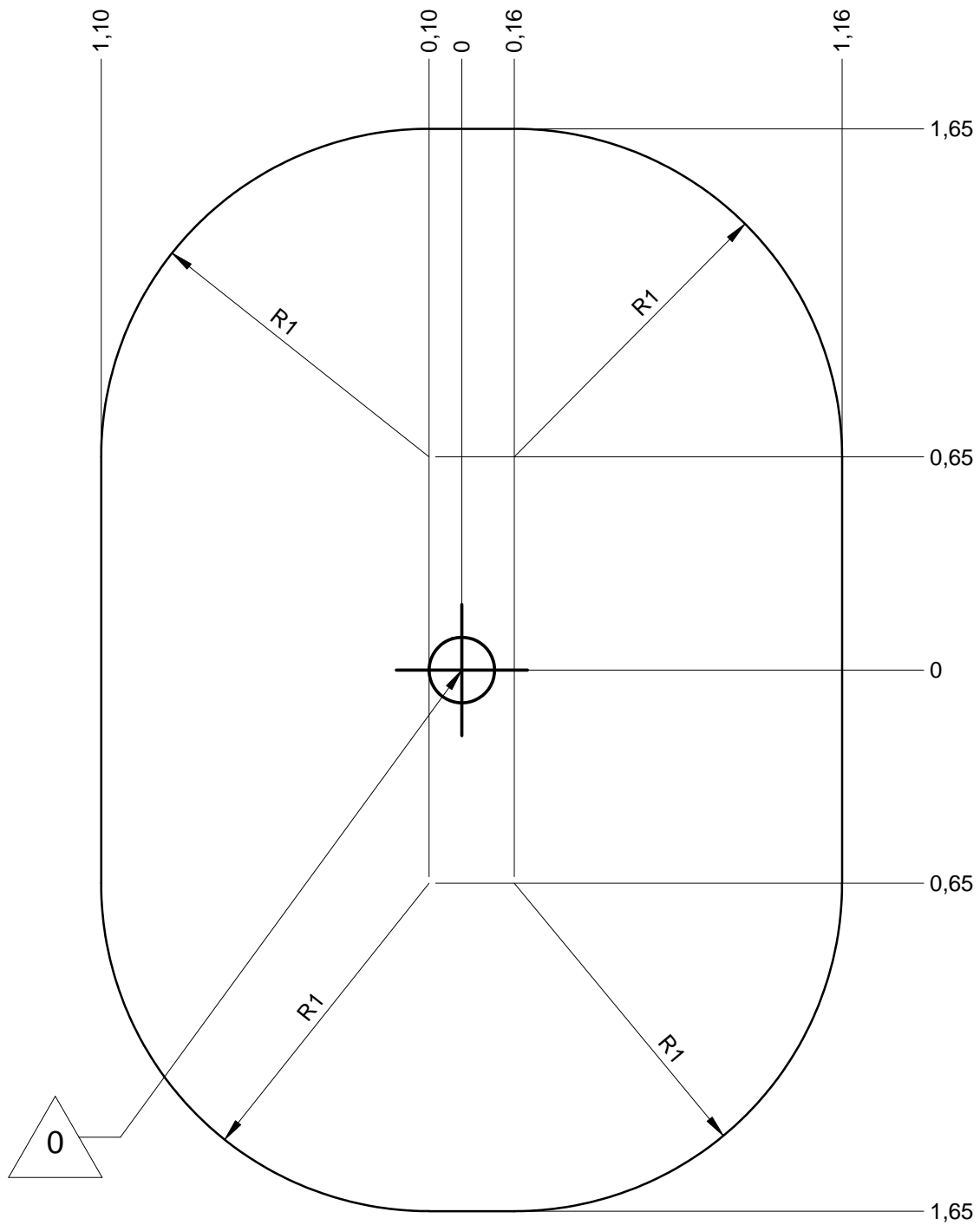
EN1176-1:2017
EN1176-6:2017





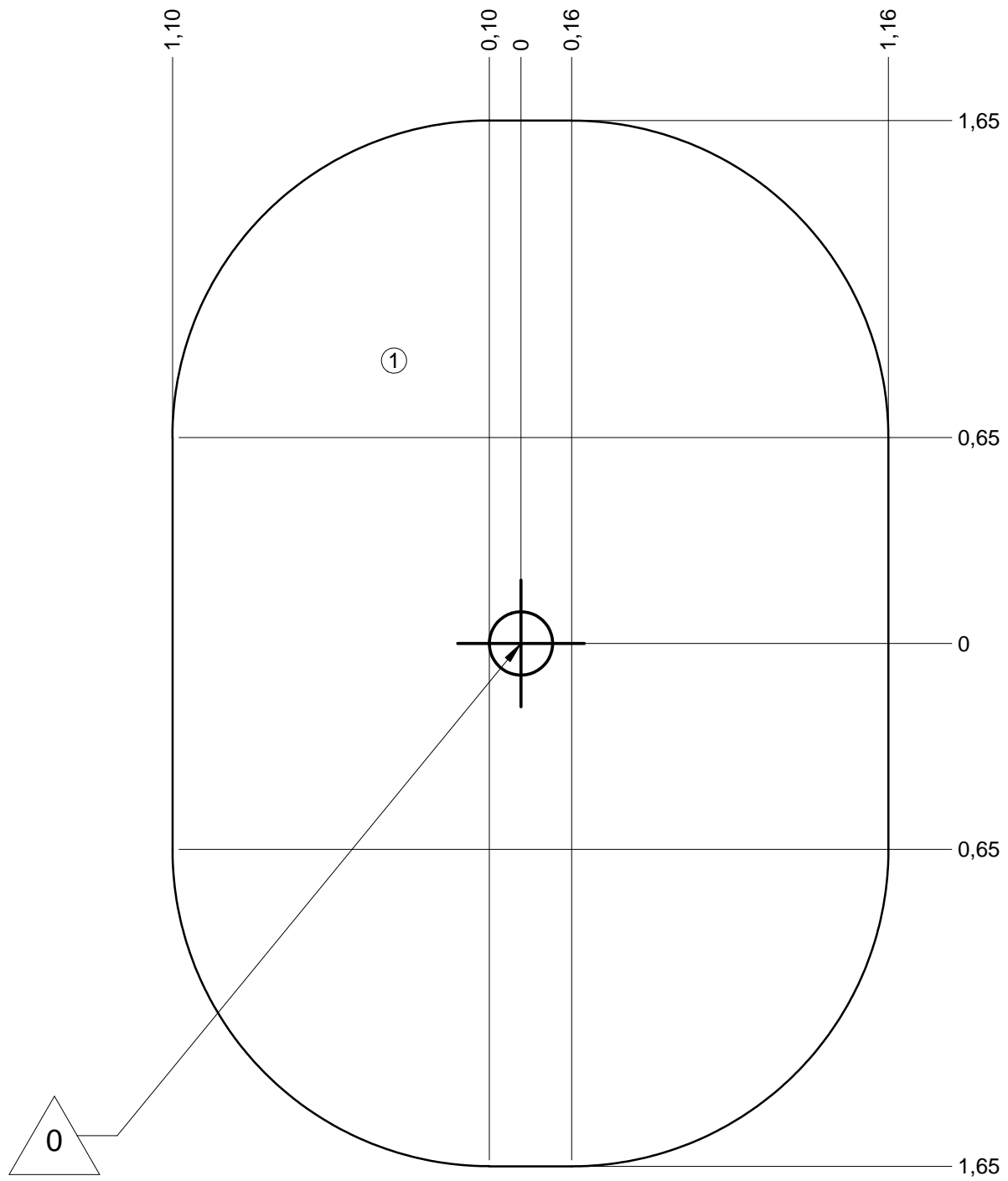
— Zone d'impact
Impact area
Area de impacto
Fallraum
Valzone

7 m²



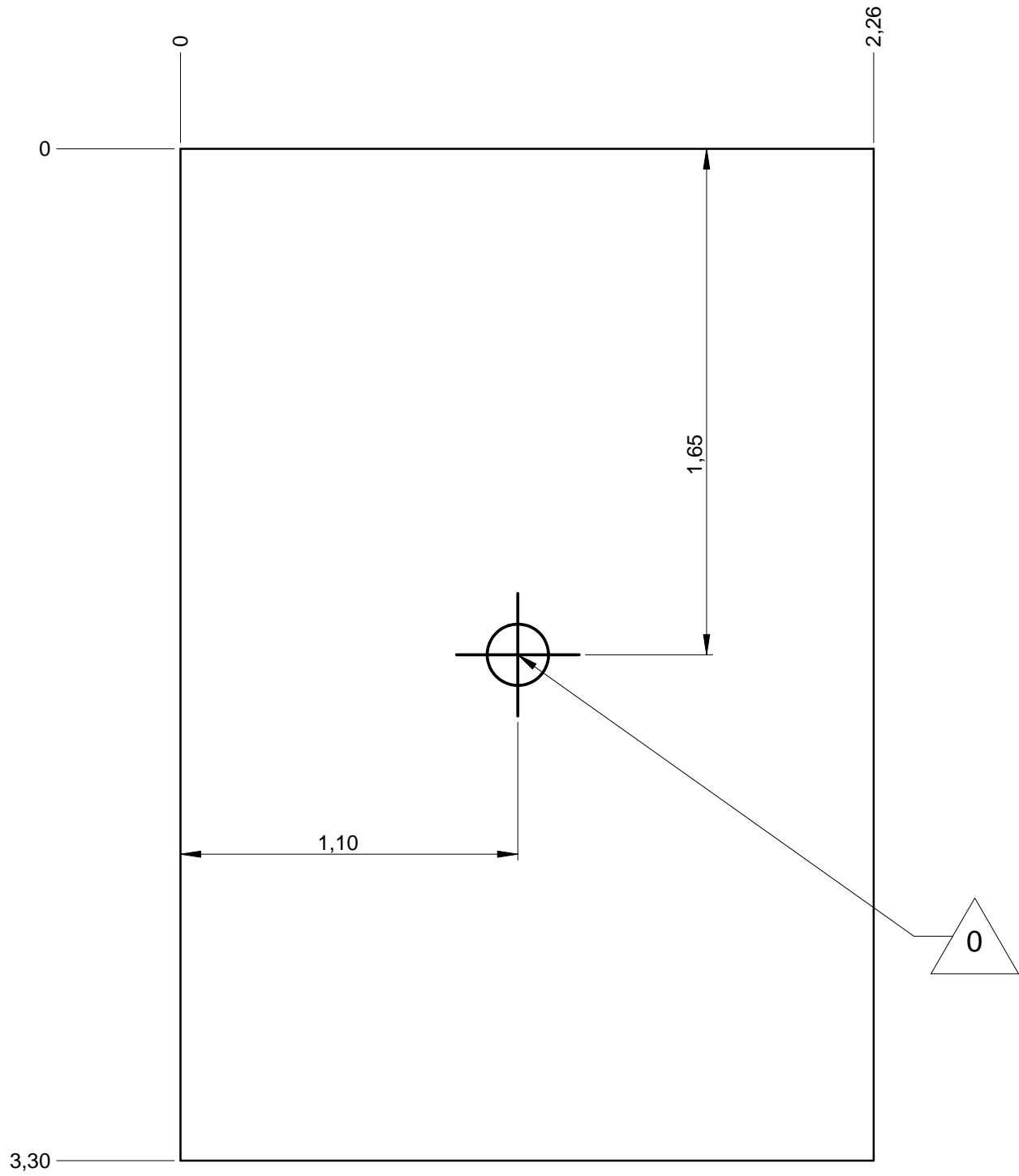
— Sol souple
Wetpour
Caucho continuo
Synthetischer Fallschutz
Gietvloer

7 m²

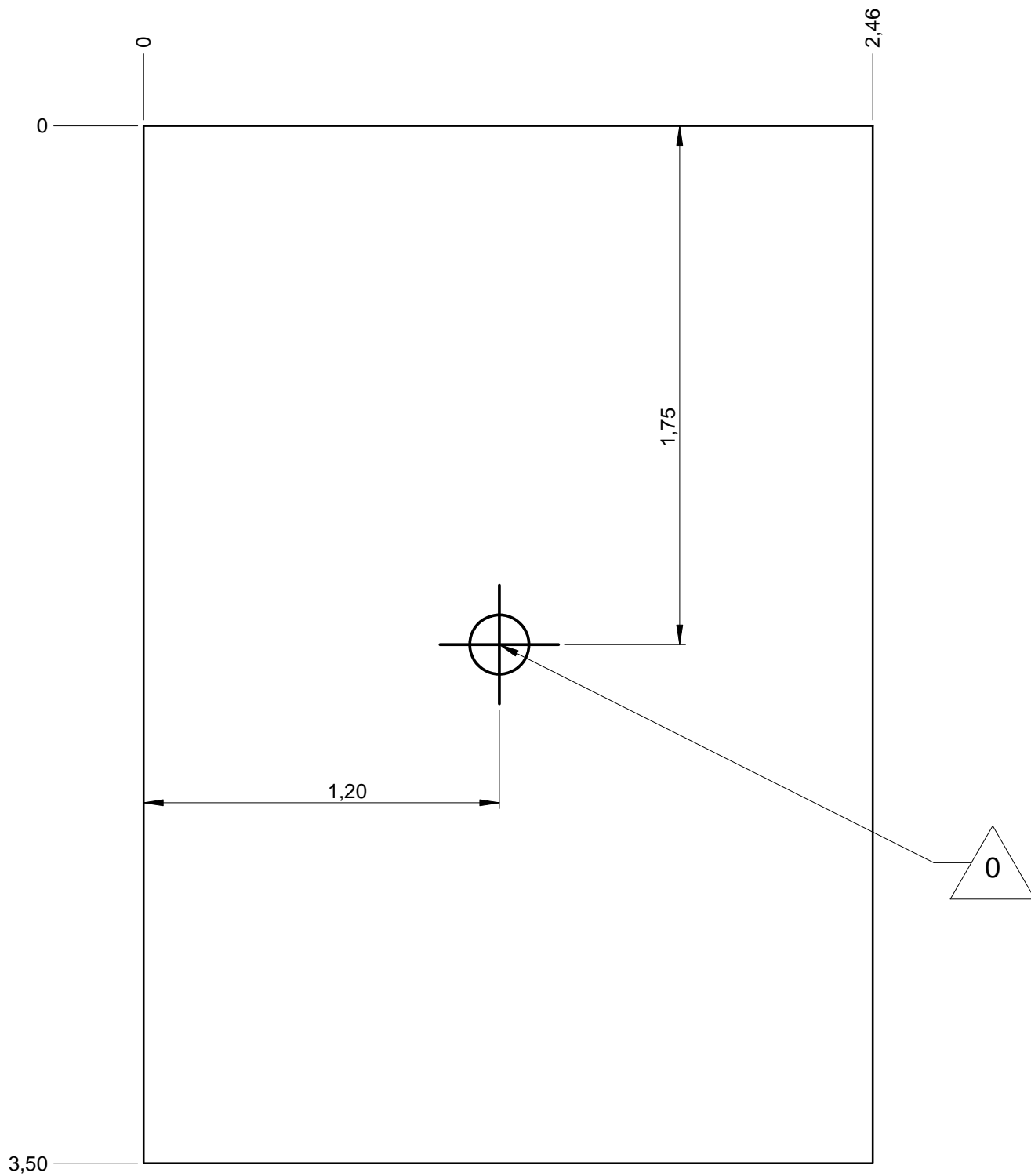


— Dalle béton
Concrete pad
Solera de hormigon
Beton Bodenplatte
Betonnen bodemplaat

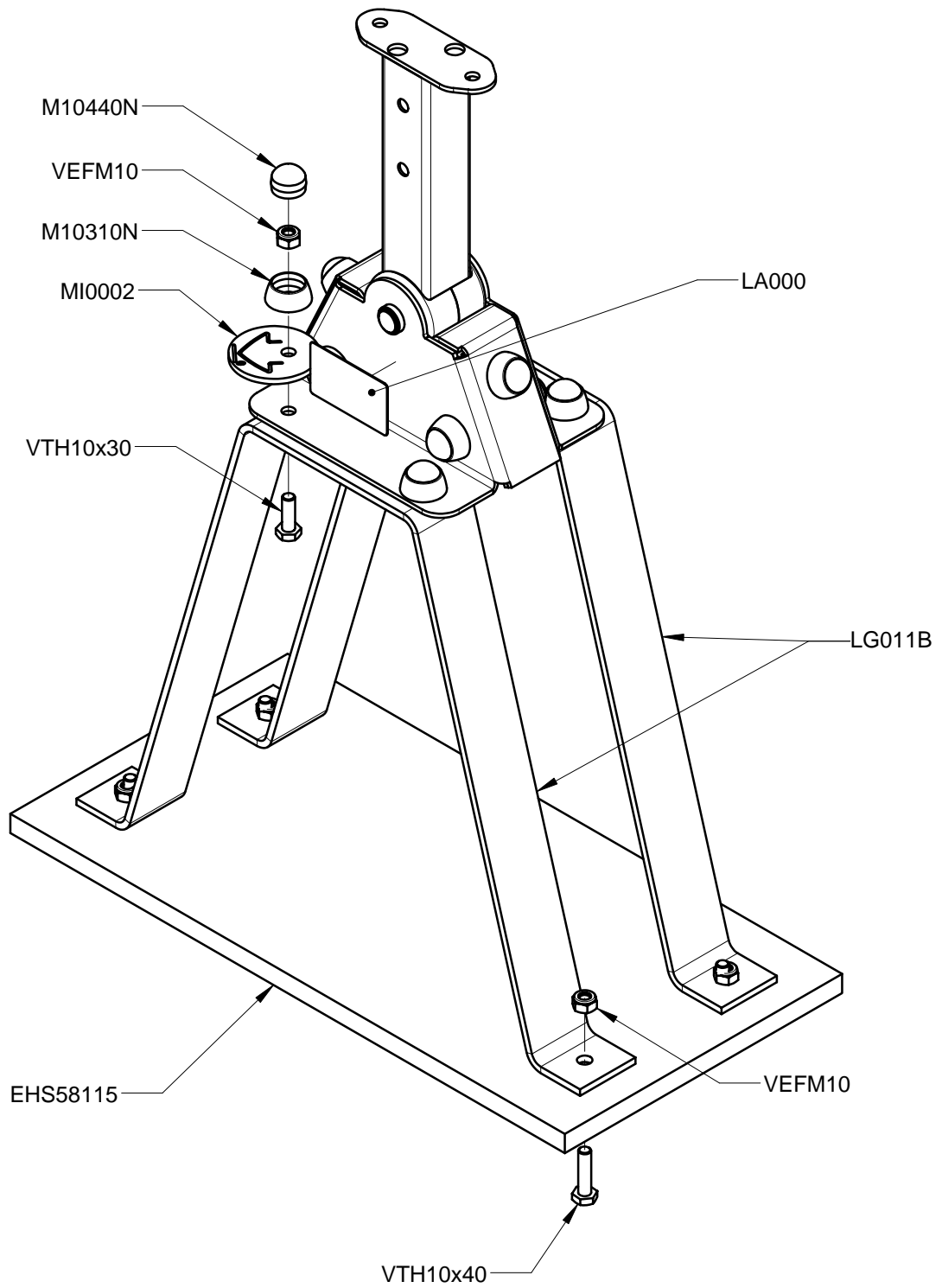
12 m
8 m²



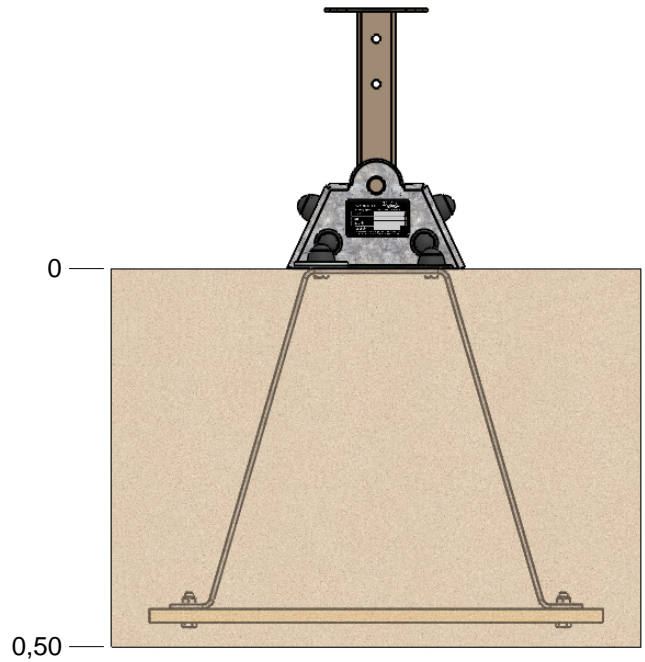
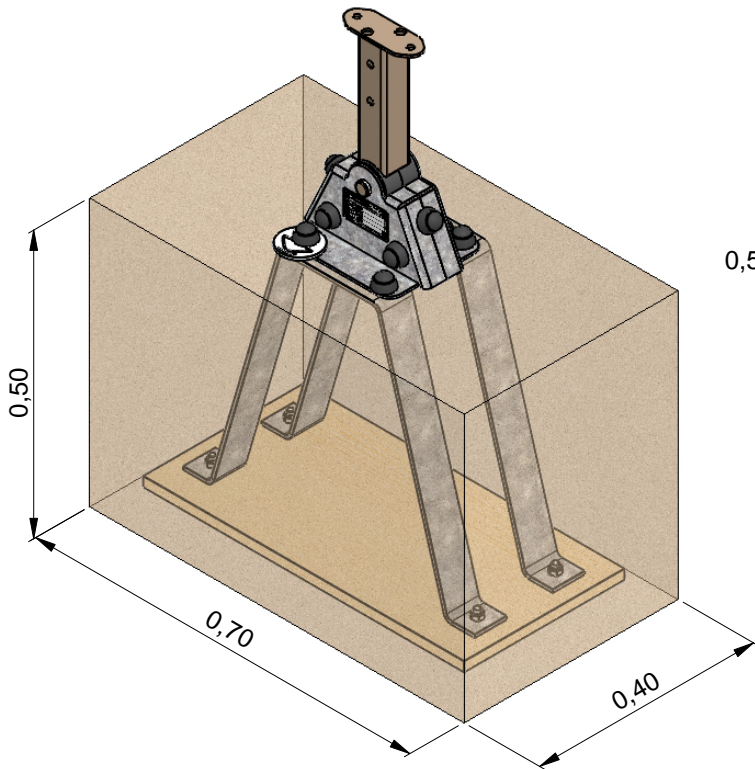
— Sol fluent
Loos partucule material 12 m
Arenero
Loses Bodenmaterial 9 m²
Los bodemmateriaal




J....A

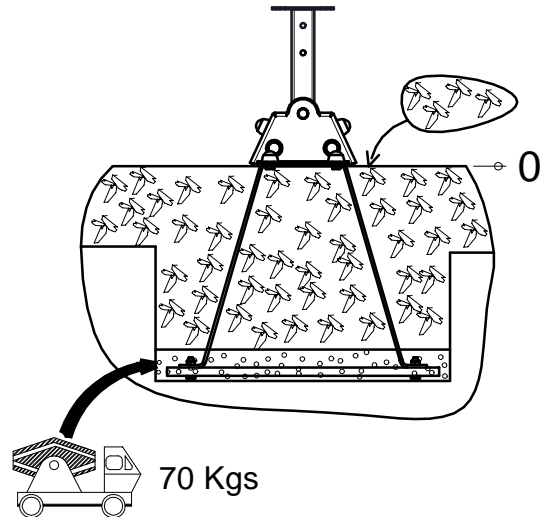
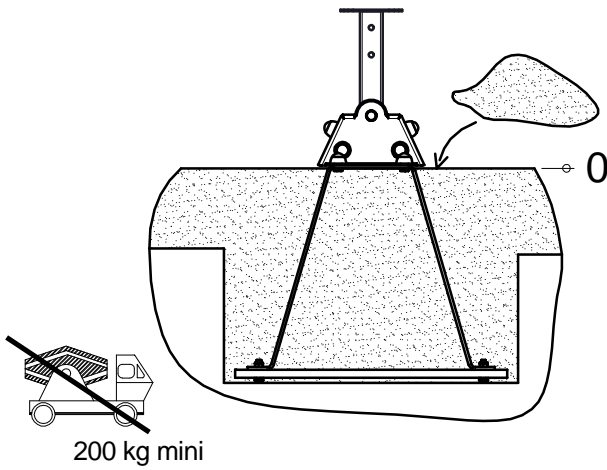


J.....A

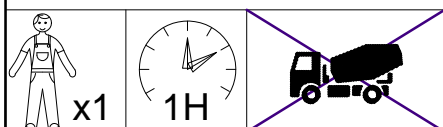
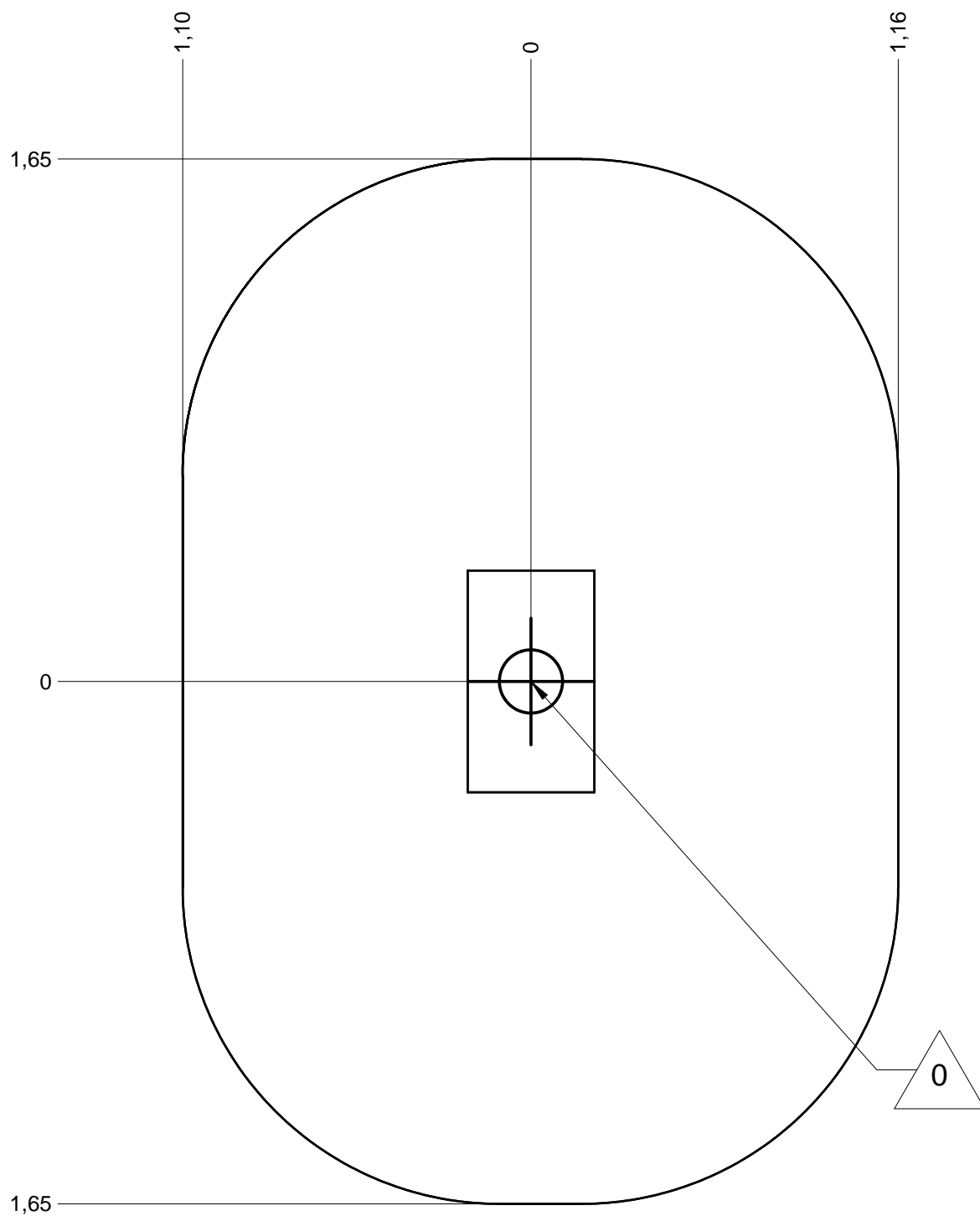


 $>1500 \text{ Kgs/m}^3$

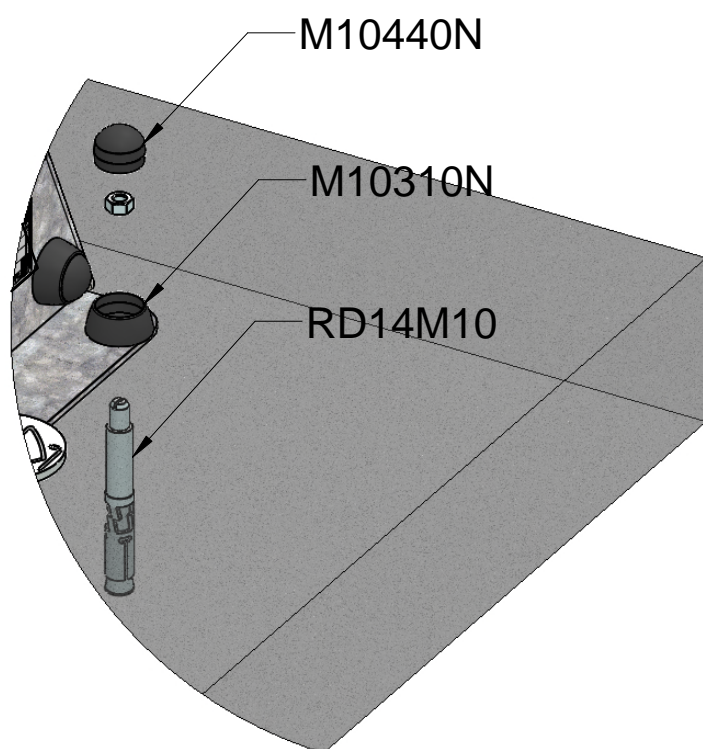
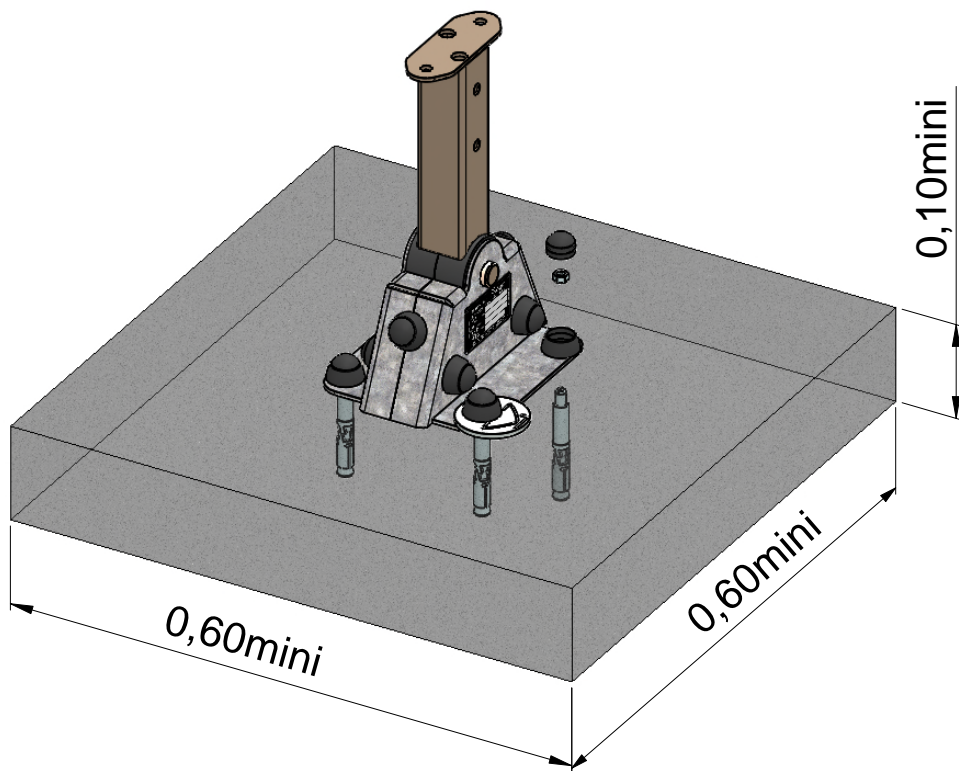
 $<1500 \text{ Kgs/m}^3$



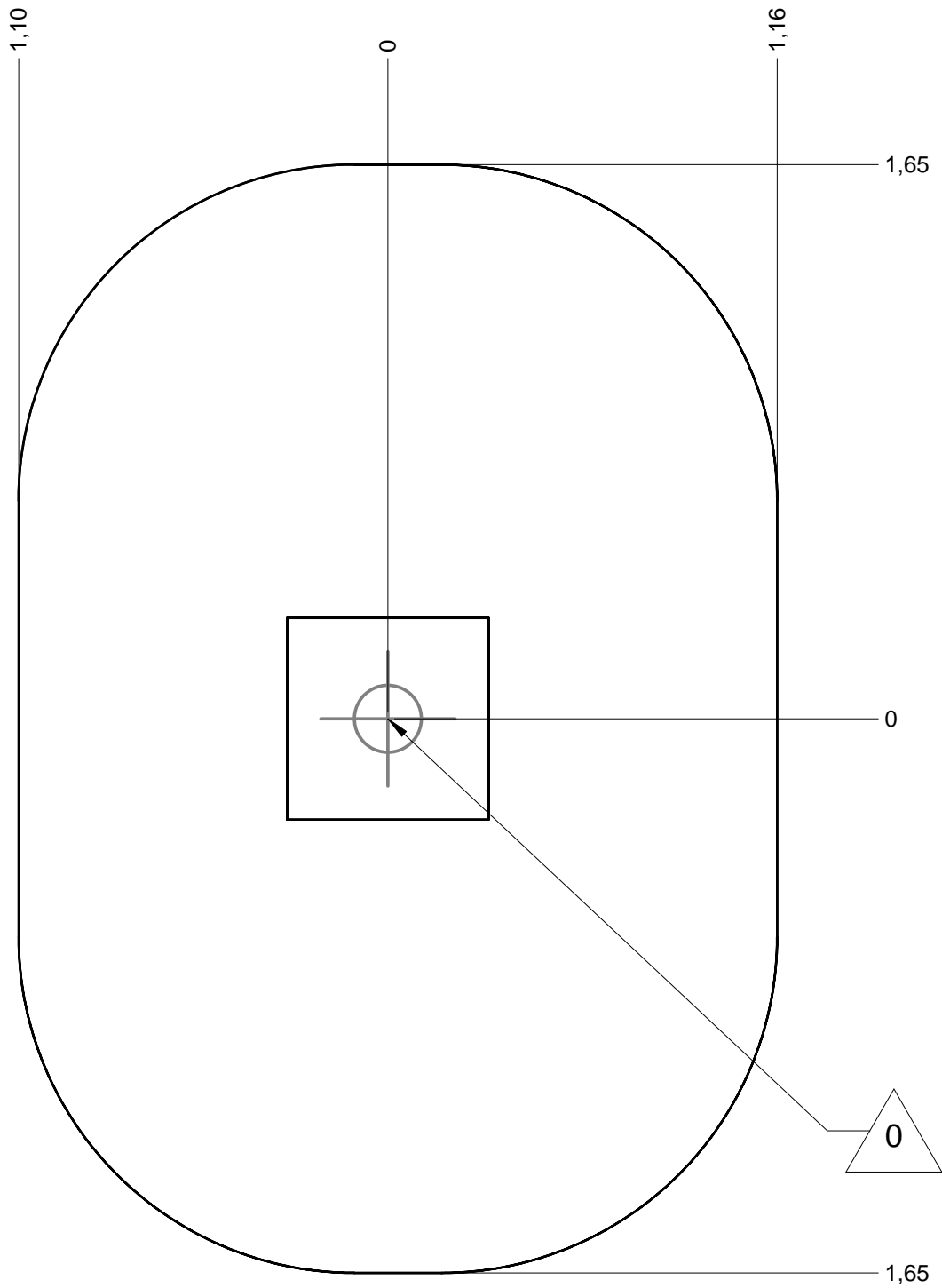
Implantation
Footing plan
Implantación
Fundamentplan
Funderingstekening




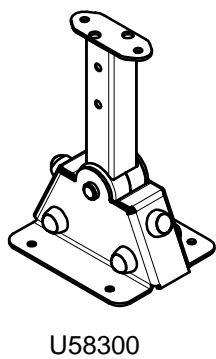
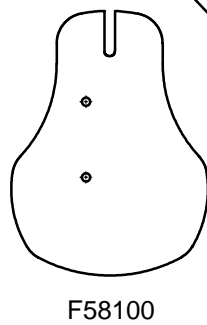
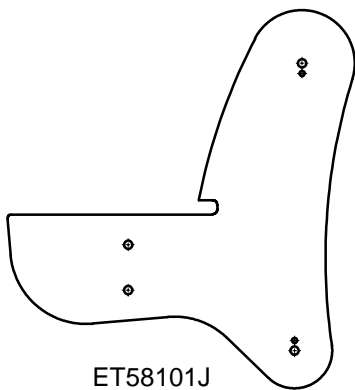
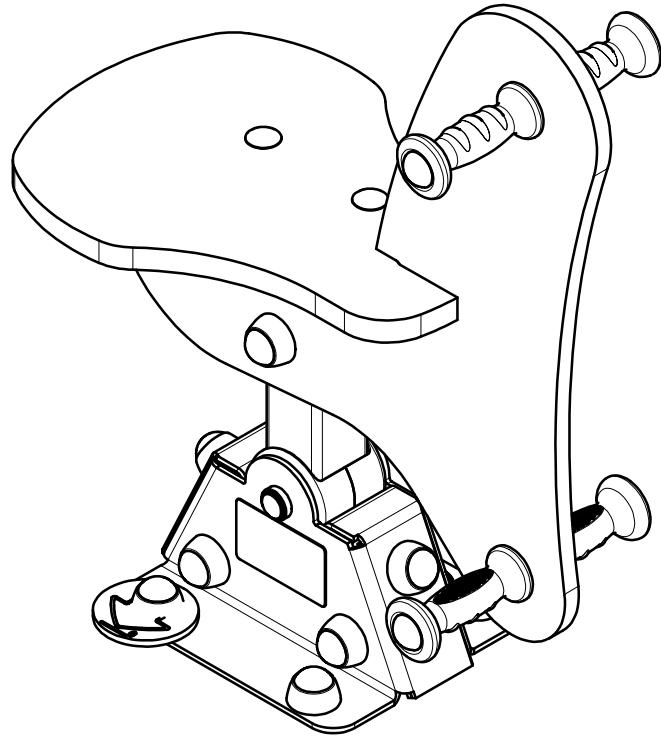
J....B



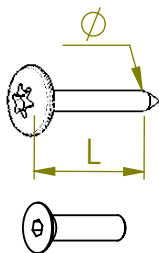
Implantation
Footing plan
Implantación
Fundamentplan
Funderingstekening



 x1	 1H	RD14M10 
---	--	---

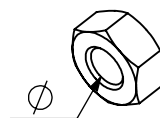


ET58101J	1
F58100	1
LA000	1
M10310N	10
M10440N	14
MI0002	1
MI820N	4
U58300	1
VEFM10	6
VTH10x80	2
VTRCC10x40	2
VTRCC10x200	2



VBT 6 x 30
 \varnothing \uparrow L (mm)

VFHC



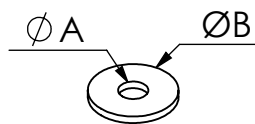
VEC M10
 \varnothing



VEF



VEB

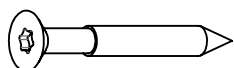


VR6x18
 $\varnothing A$ $\varnothing B$

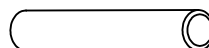
VTHA

1000 - 1800 RPM
 Vitesse de rotation
 Rotation speed

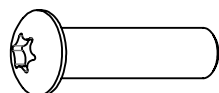
< 14 N.m
 Couple de rupture
 Breakage torque



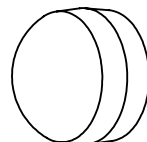
VWT



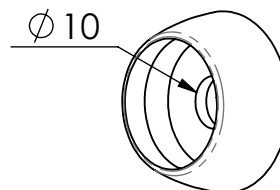
VGC



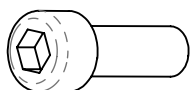
VCBHC



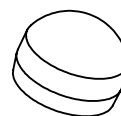
M10 440N



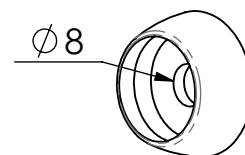
M10 310 N



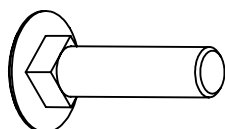
VBTR



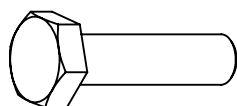
M8 440N



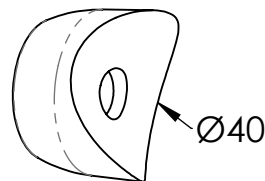
M8 310N



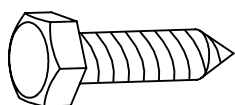
VTRCC



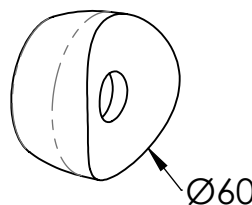
VTH



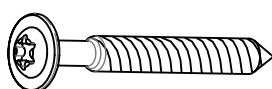
MI2503



VTF

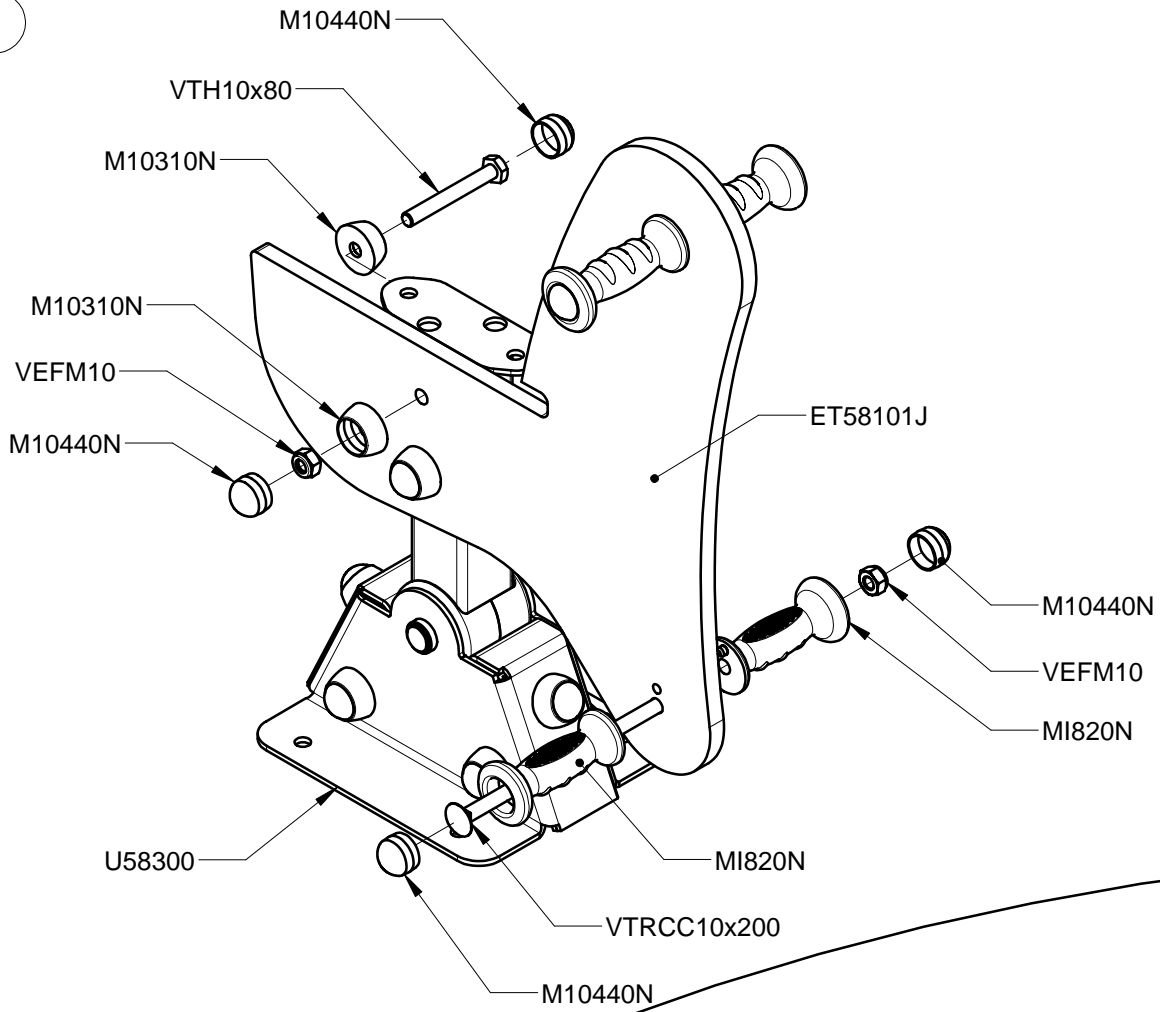


MI2701



VBT

1



2

