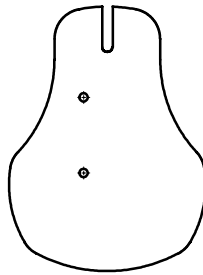
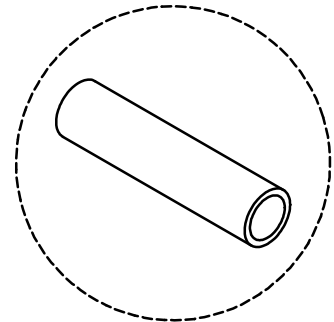


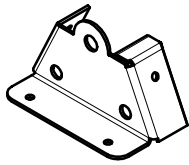
ET58101J
1X



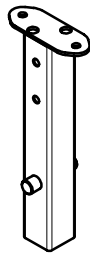
F58100
1X



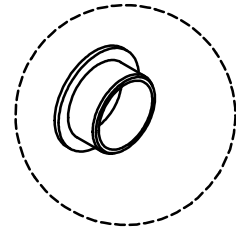
LG58111
2X



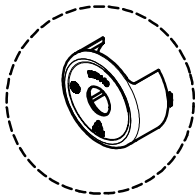
LG58108
2X



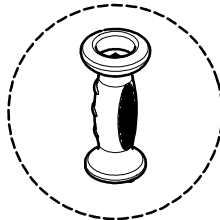
LGP58109
1X



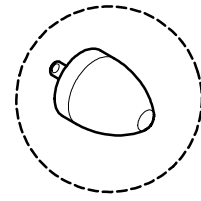
L58112
2X



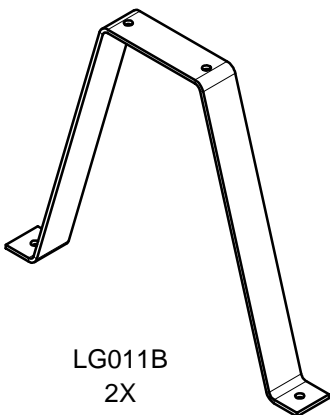
M58110
2X



MI820N
4X



R2504
2X



LG011B
2X



EHS58115
1X

LA000	1
M10310N	16
M10440N	20
MI0002	1
VEFM10	18
VR10x22	2
VTH10x30	4
VTH10x40	4
VTH10x80	2
VTH10x90	2
VTRCC10x40	2
VTRCC10x200	2



N°		
1	0.6 m	7 m ²

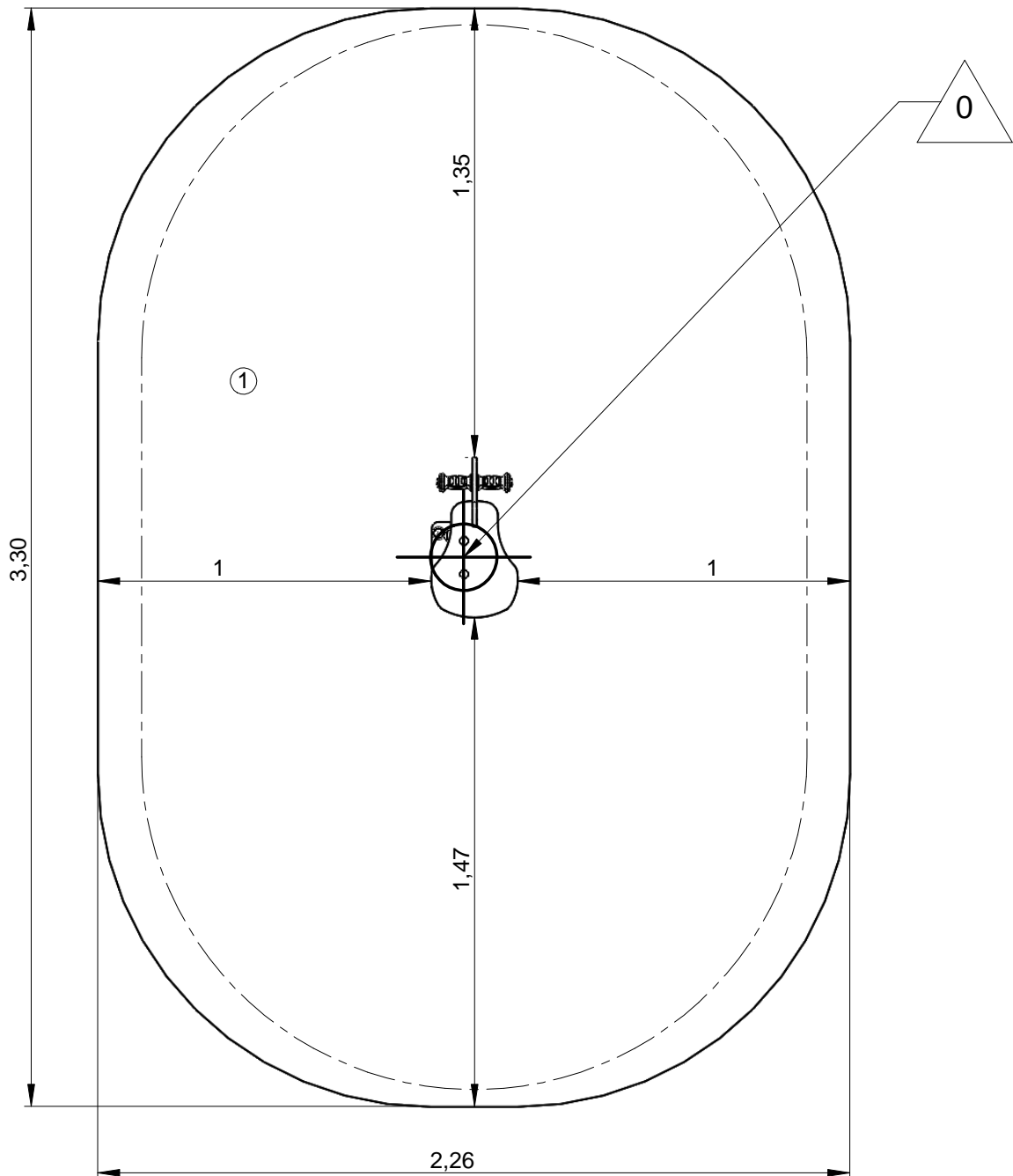
— Zone d'impact
Impact area
Area de impacto
Fallraum
Valzone

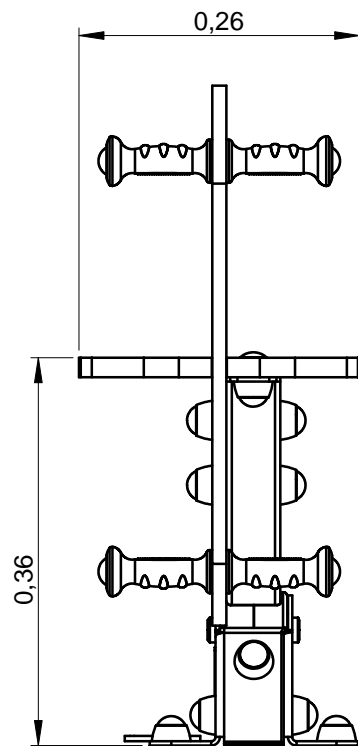
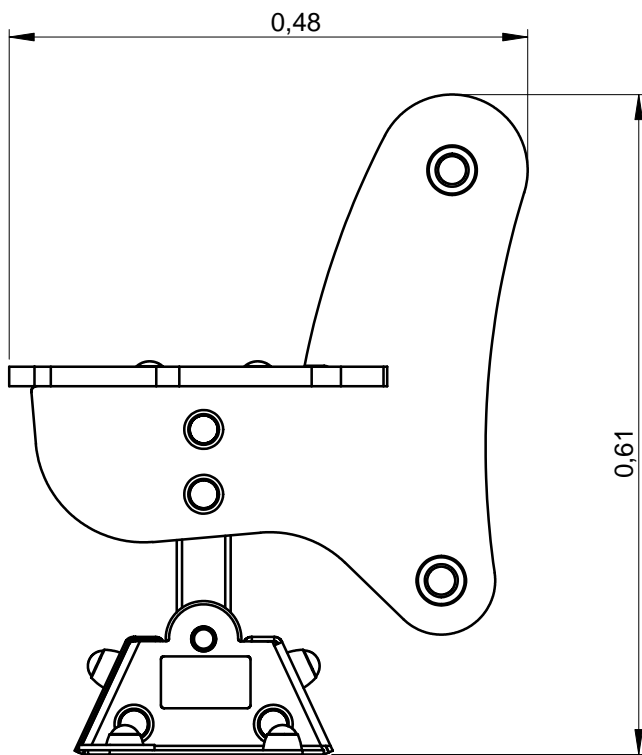
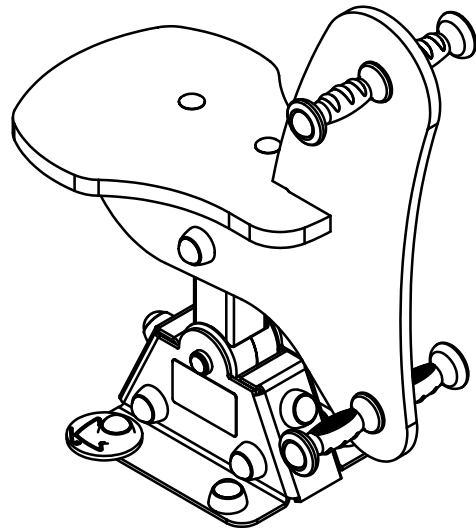


Point de référence
Setting out point
Punto de referencia
Bezugspunkt
Referentiepunt

- - - Espace libre
Free space
Espacio libre
Freiraum
Vrije ruimte

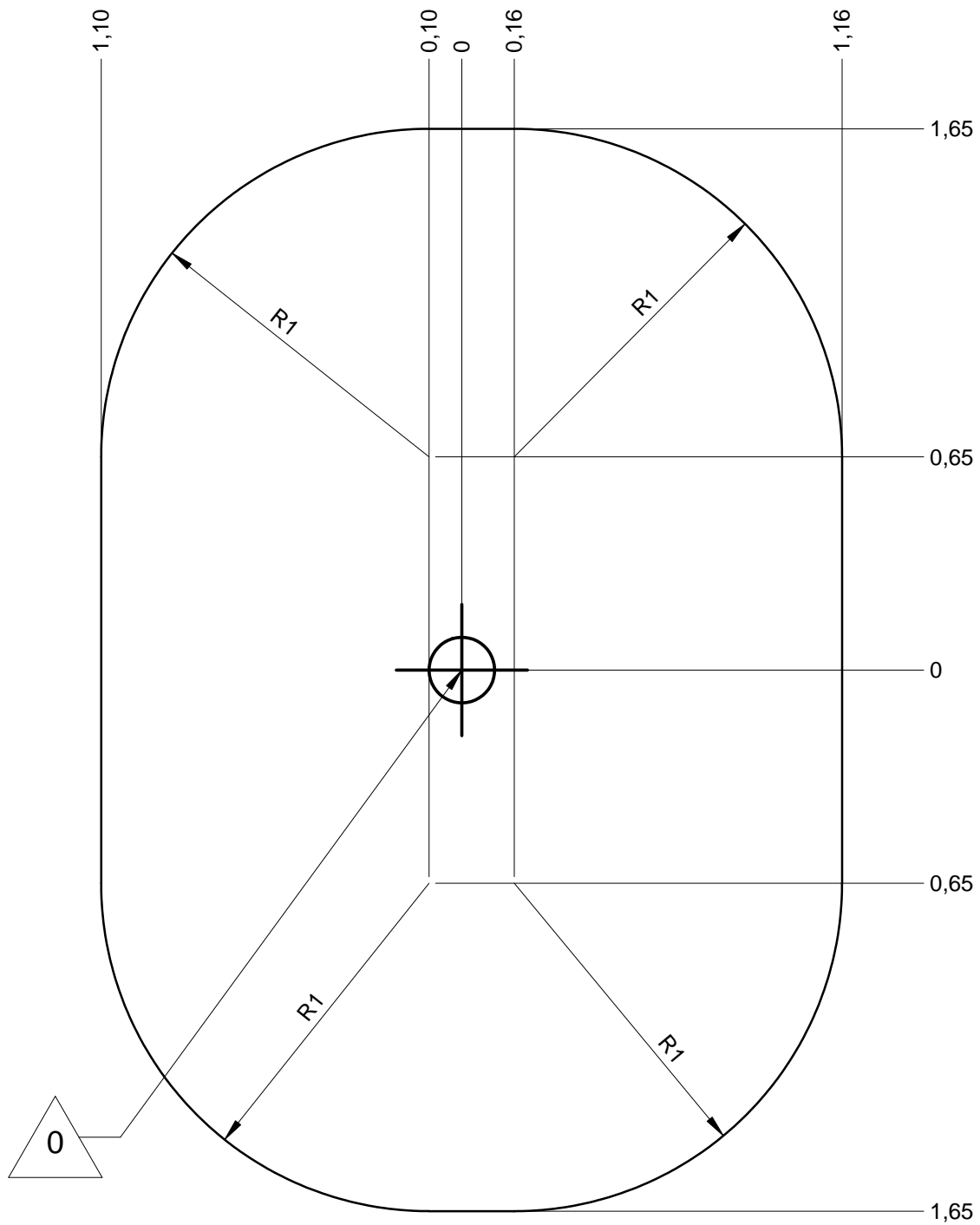
EN1176-1:2017
EN1176-6:2017





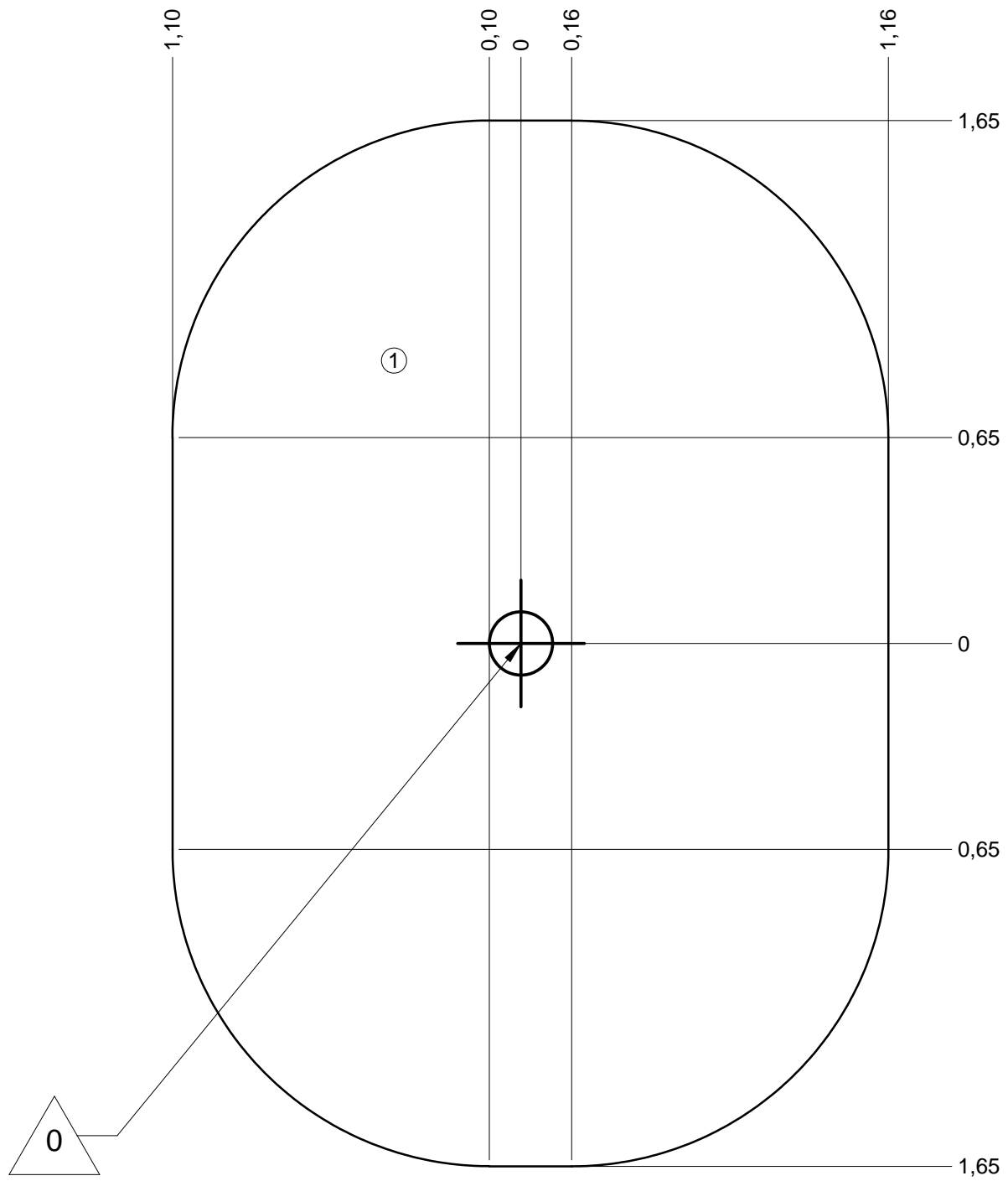
— Zone d'impact
 Impact area
 Area de impacto
 Fallraum
 Valzone

7 m²



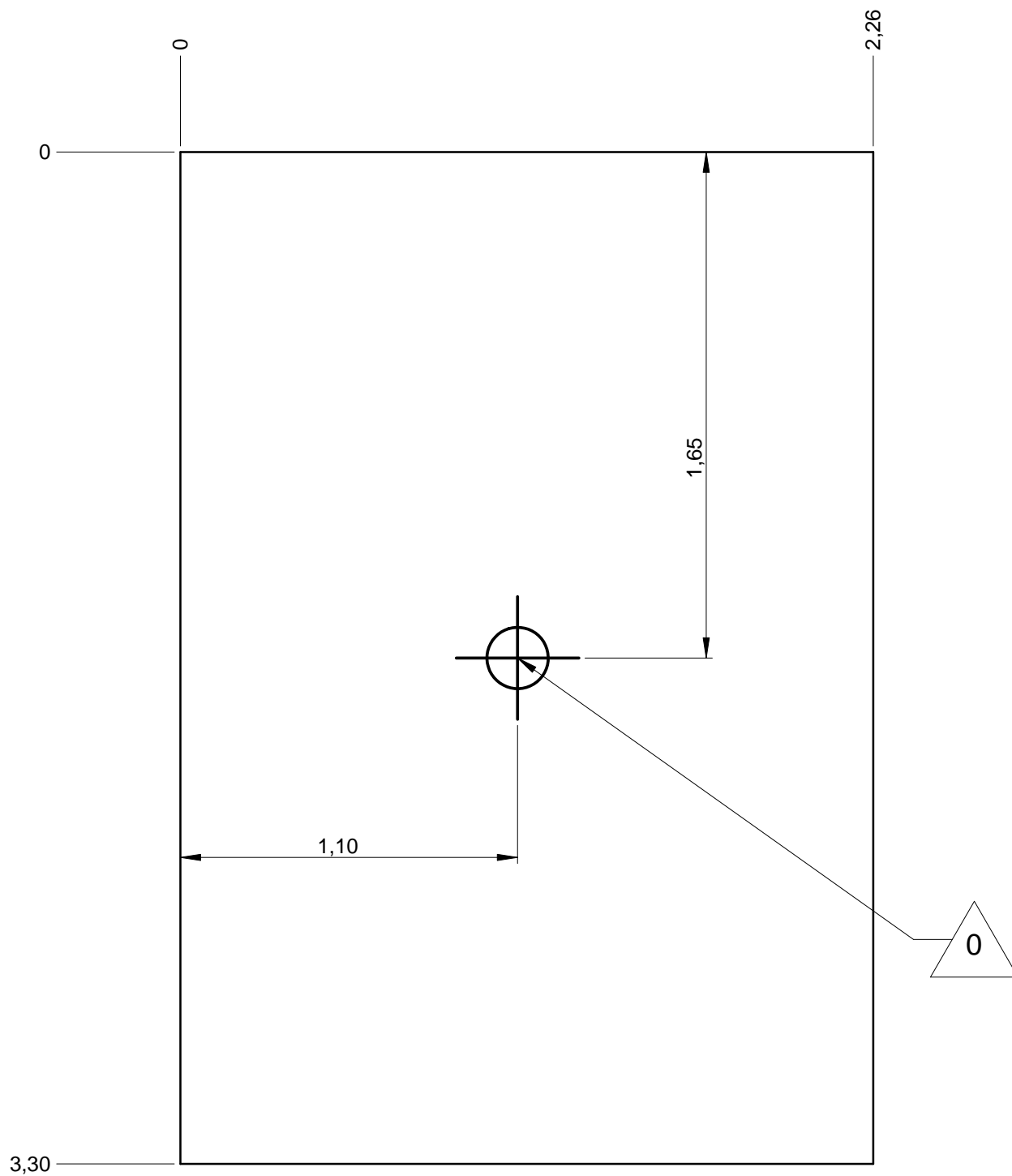
— Sol souple
Wetpour
Caucho continuo
Synthetischer Fallschutz
Gietvloer

7 m²

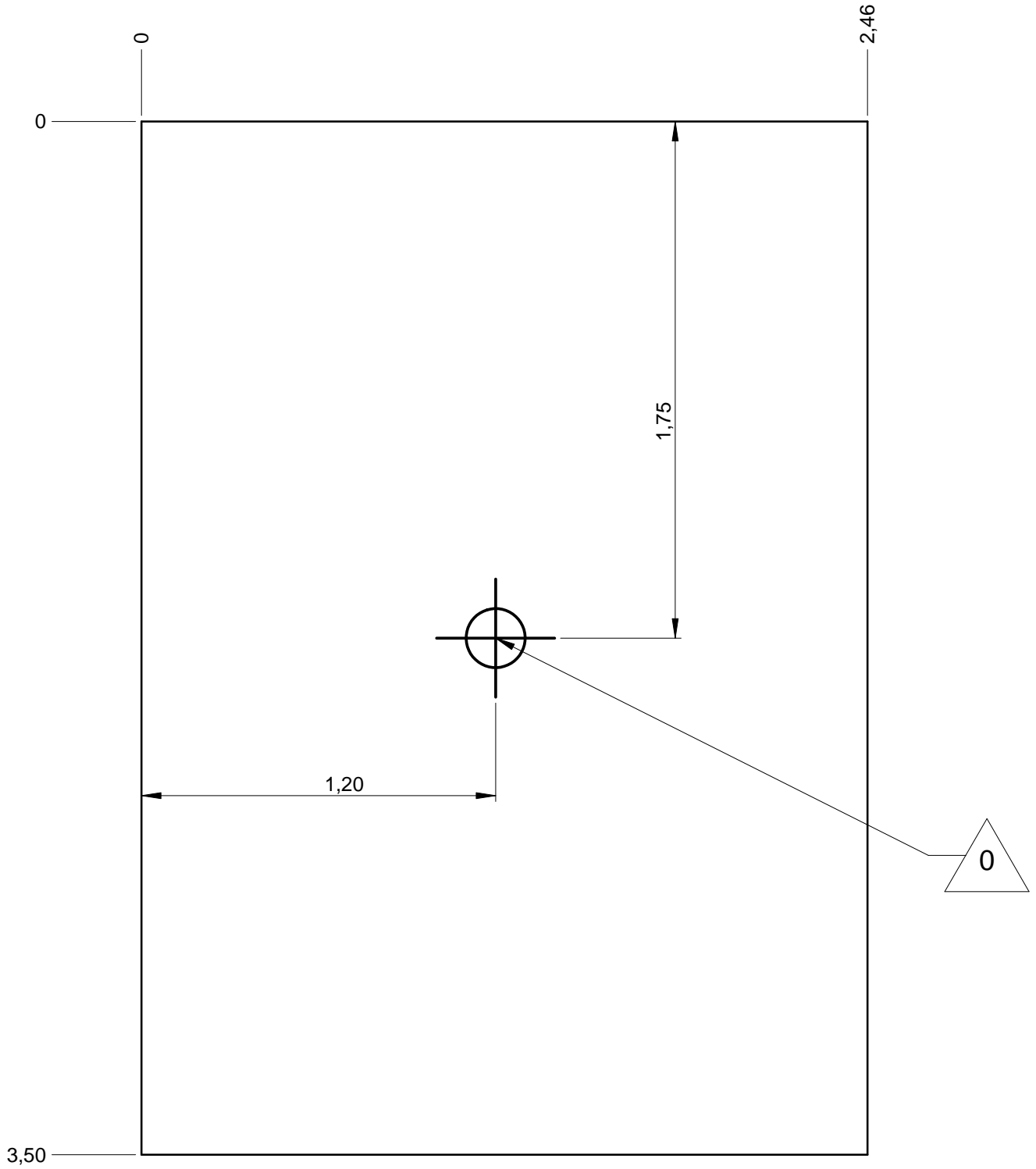


— Dalle béton
Concrete pad
Solera de hormigon
Beton Bodenplatte
Betonnen bodemplaat

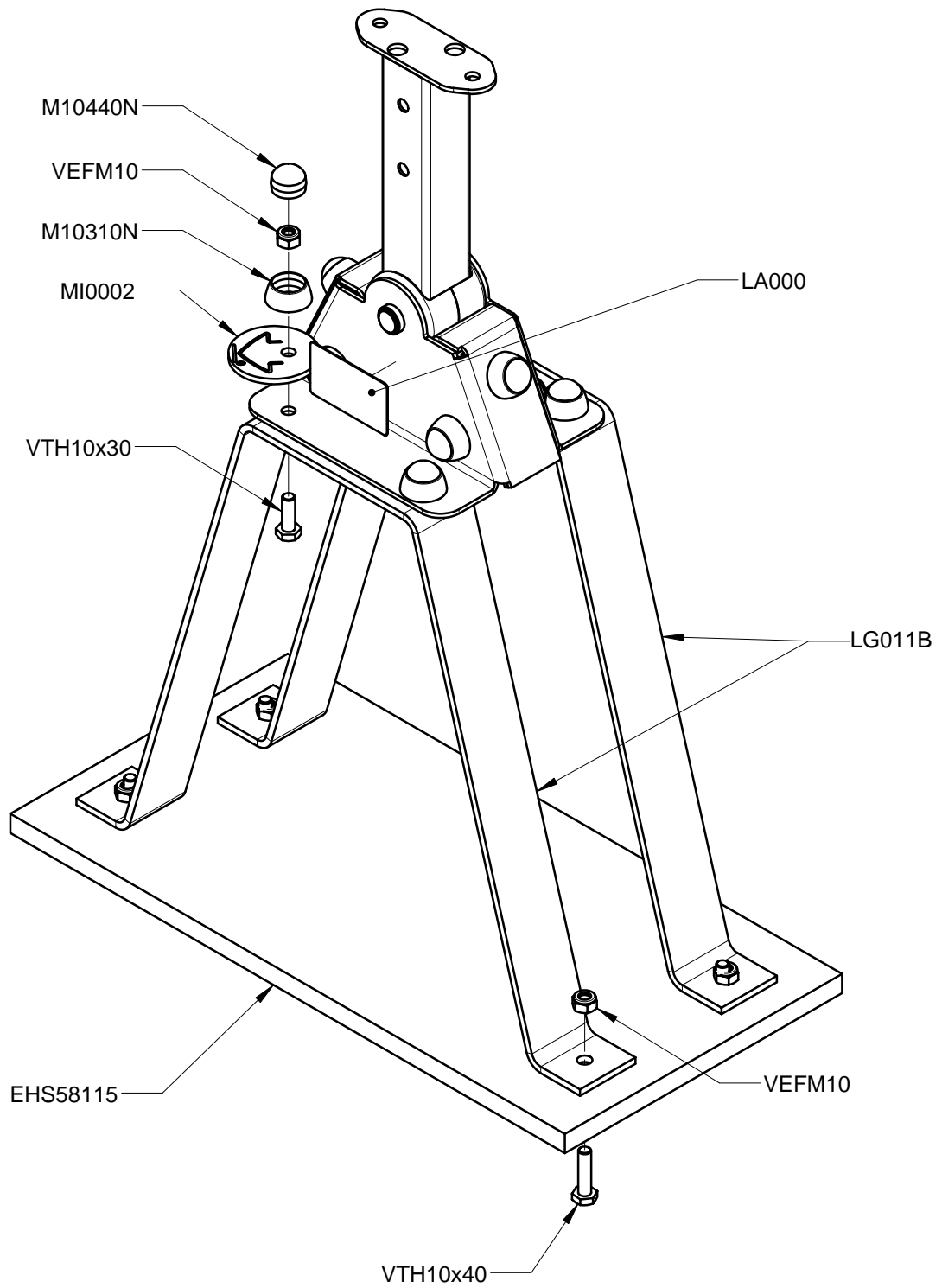
12 m
8 m²



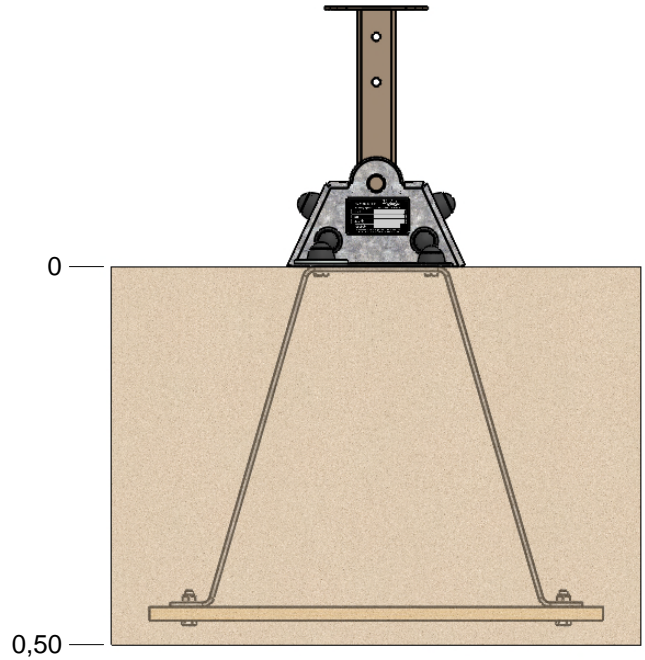
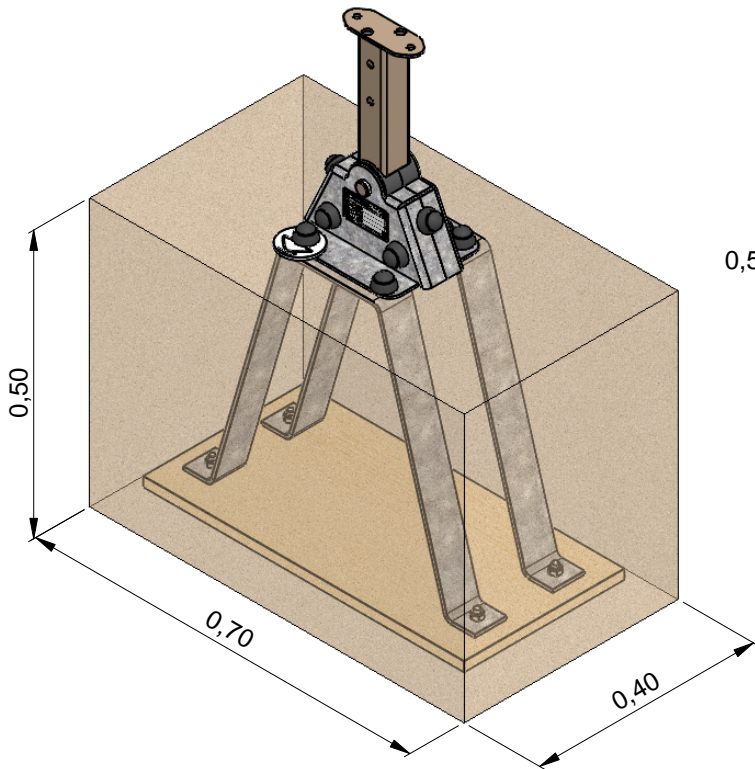
— Sol fluent
Loos partucule material 12 m
Arenero
Loses Bodenmaterial 9 m²
Los bodemmateriaal




J....A

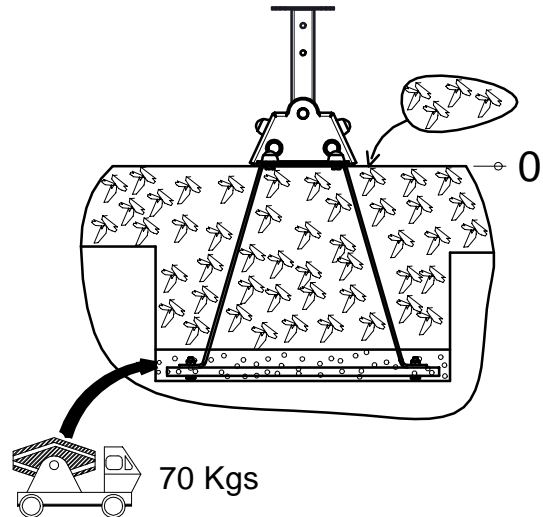
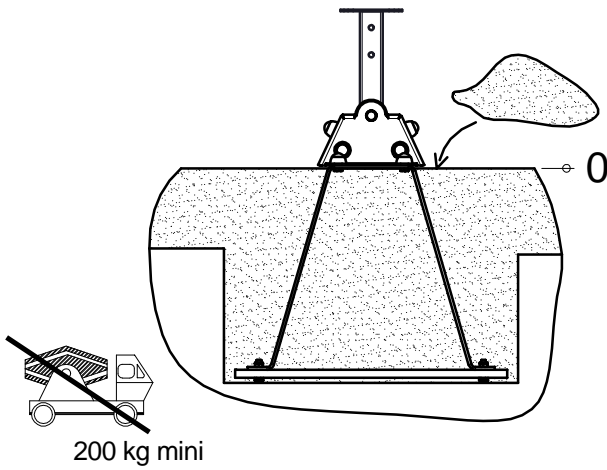


J.....A

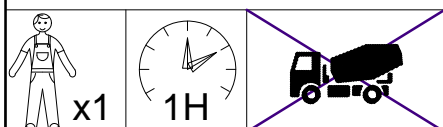
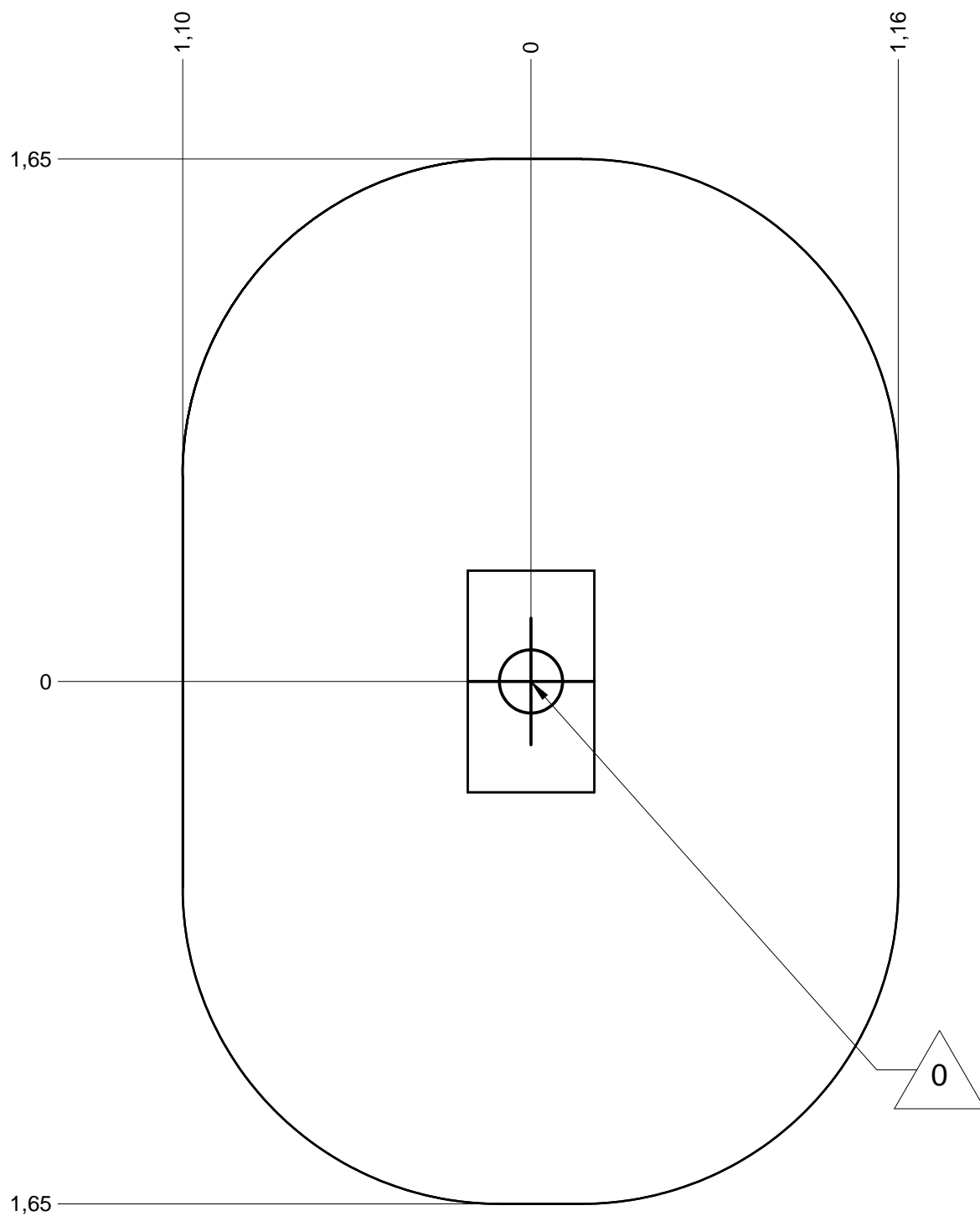


 $>1500 \text{ Kgs/m}^3$

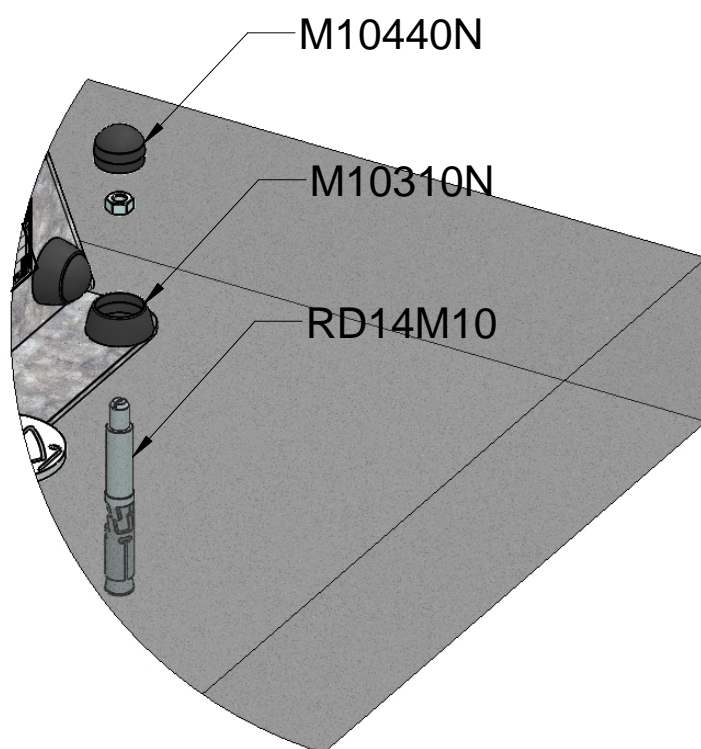
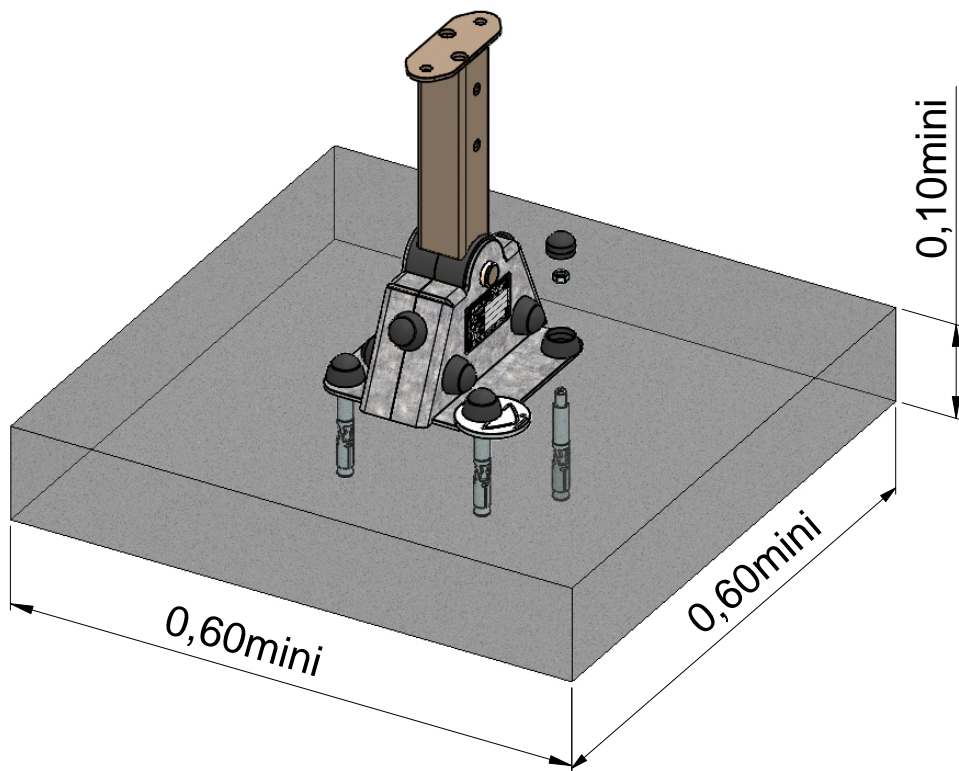
 $<1500 \text{ Kgs/m}^3$



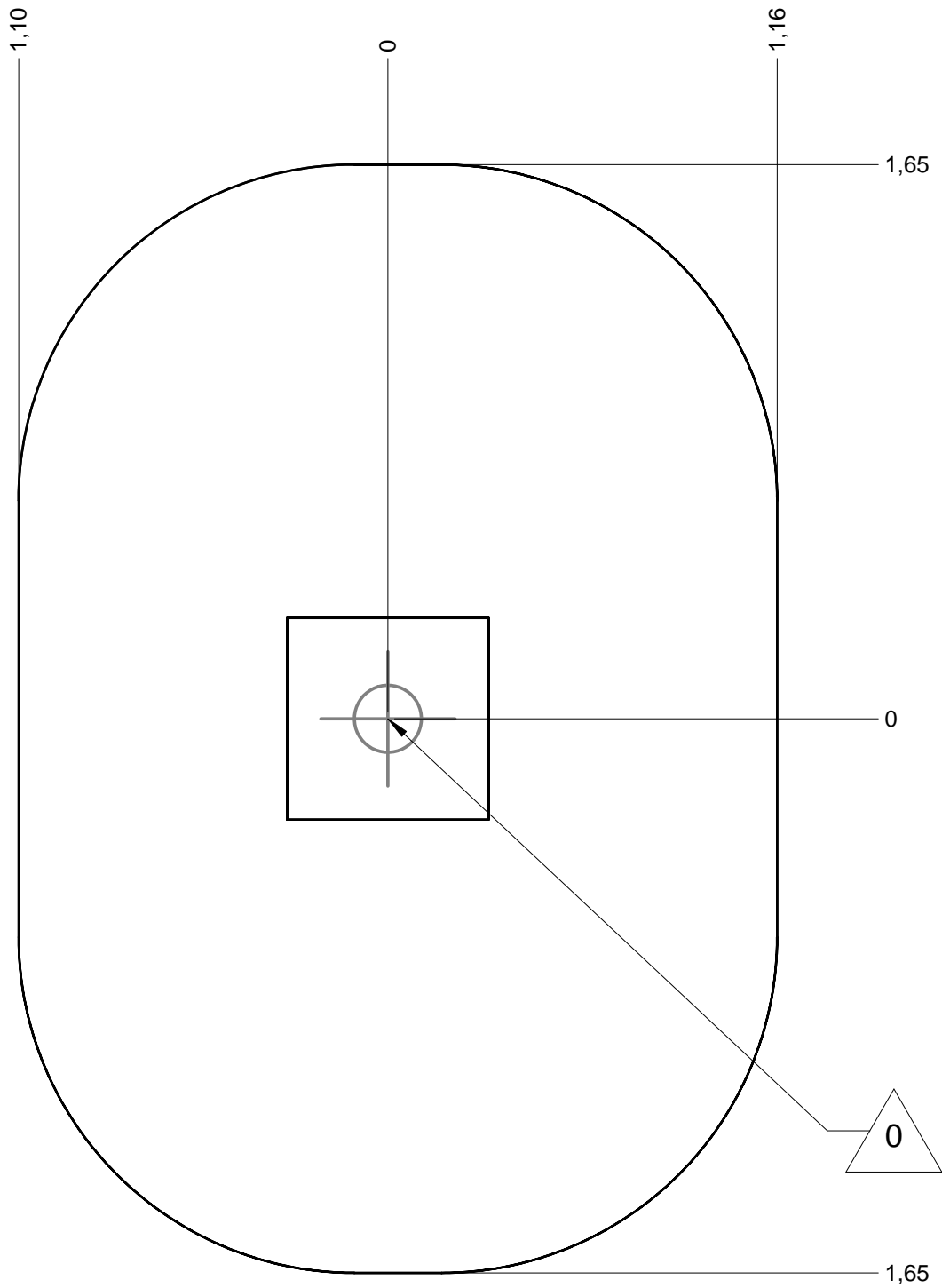
Implantation
Footing plan
Implantación
Fundamentplan
Funderingstekening



J....B



Implantation
Footing plan
Implantación
Fundamentplan
Funderingstekening



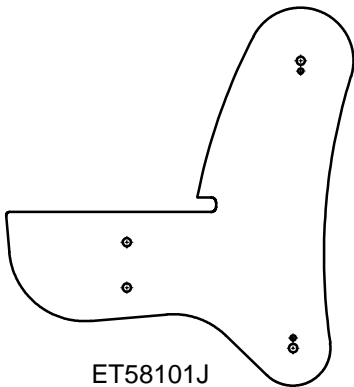
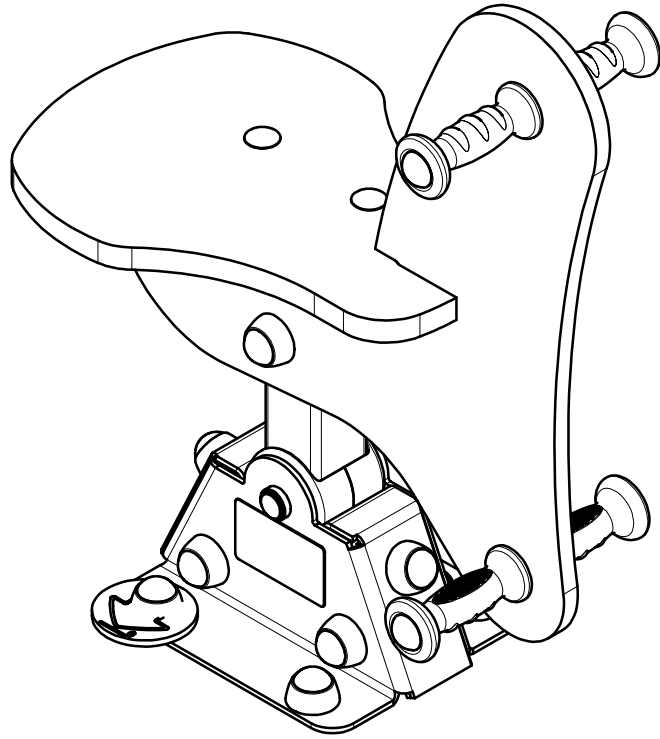
x1



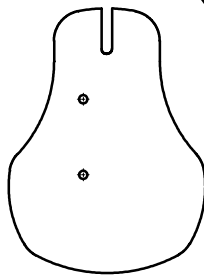
1H

RD14M10

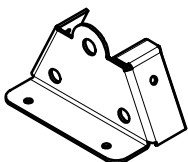




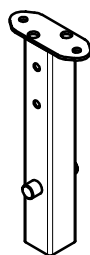
ET58101J



F58100

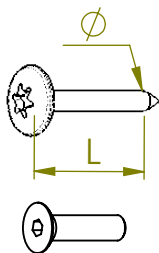


LG58108



LGP58109

ET58101J	1
F58100	1
L58112	2
LA000	1
LG58108	2
LG58111	2
LGP58109	1
M10310N	16
M10440N	20
M58110	2
MI0002	1
MI820N	4
R2504	2
VEFM10	10
VR10x22	2
VTH10x80	2
VTH10x90	2
VTRCC10x40	2
VTRCC10x200	2



VBT 6 x 30
 \varnothing \uparrow L (mm)

VFHC



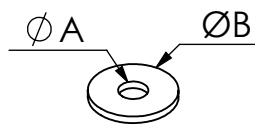
VEC M10
 \varnothing



VEF



VEB

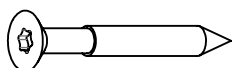


VR6x18
 $\varnothing A$ $\varnothing B$

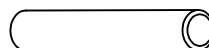
VTHA

1000 - 1800 RPM
 Vitesse de rotation
 Rotation speed

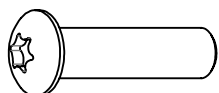
< 14 N.m
 Couple de rupture
 Breakage torque



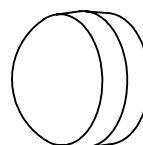
VWT



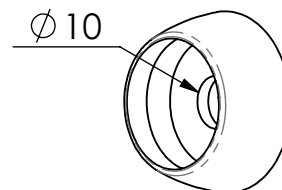
VGC



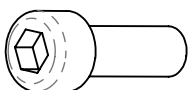
VCBHC



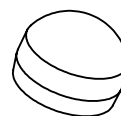
M10 440N



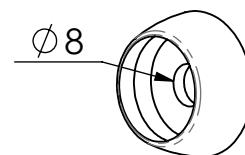
M10 310 N



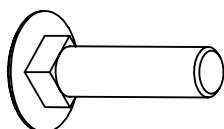
VBTR



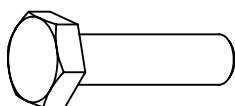
M8 440N



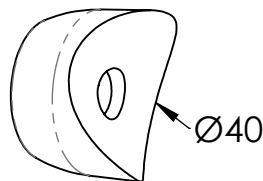
M8 310N



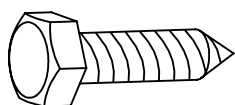
VTRCC



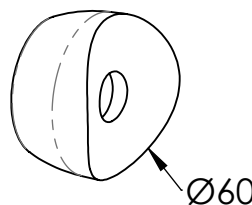
VTH



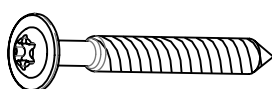
MI2503



VTF

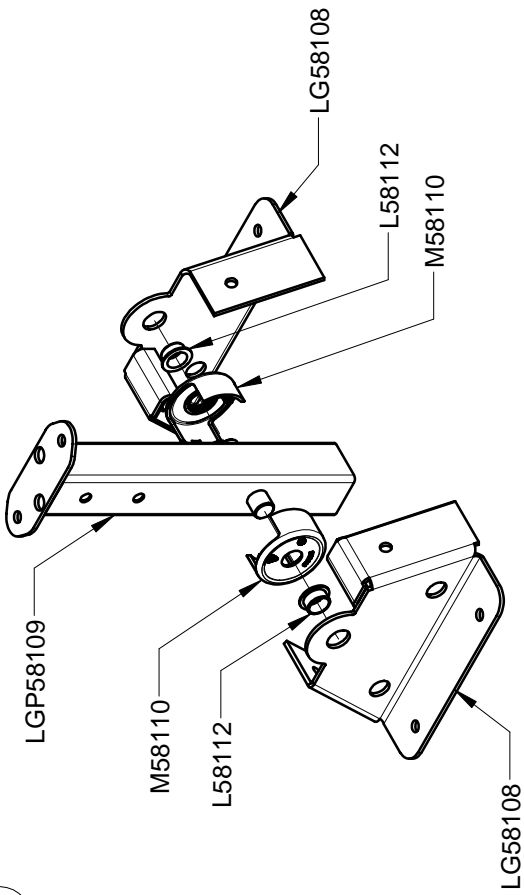


MI2701

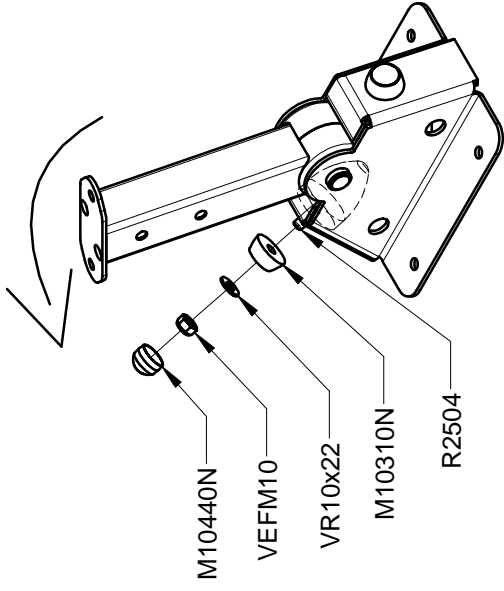


VBT

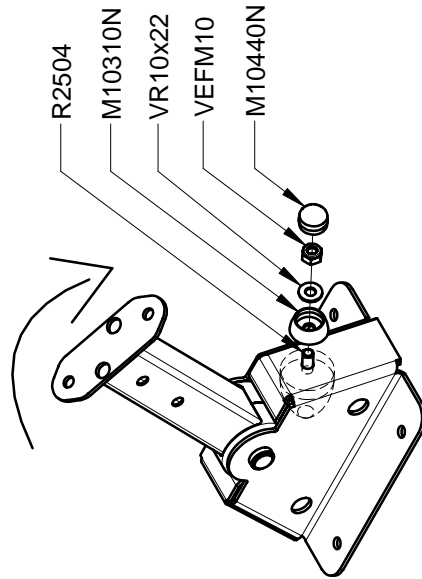
1



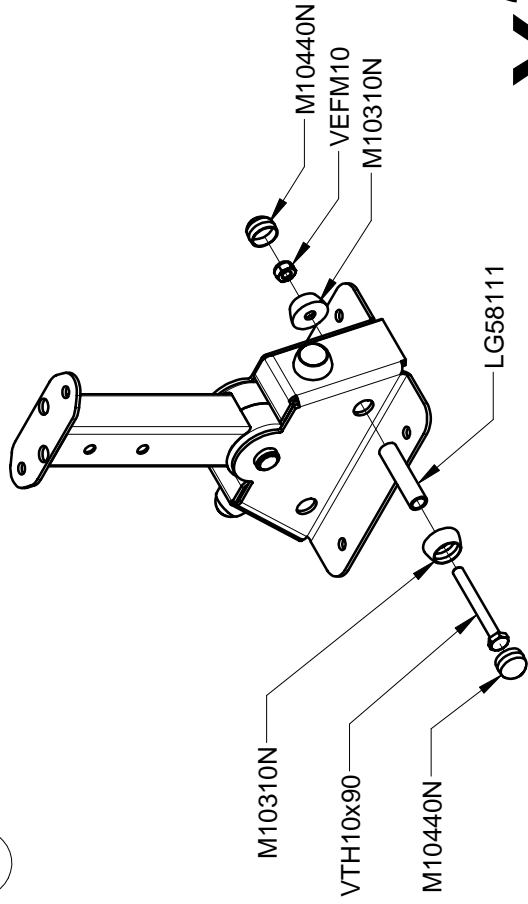
3



2

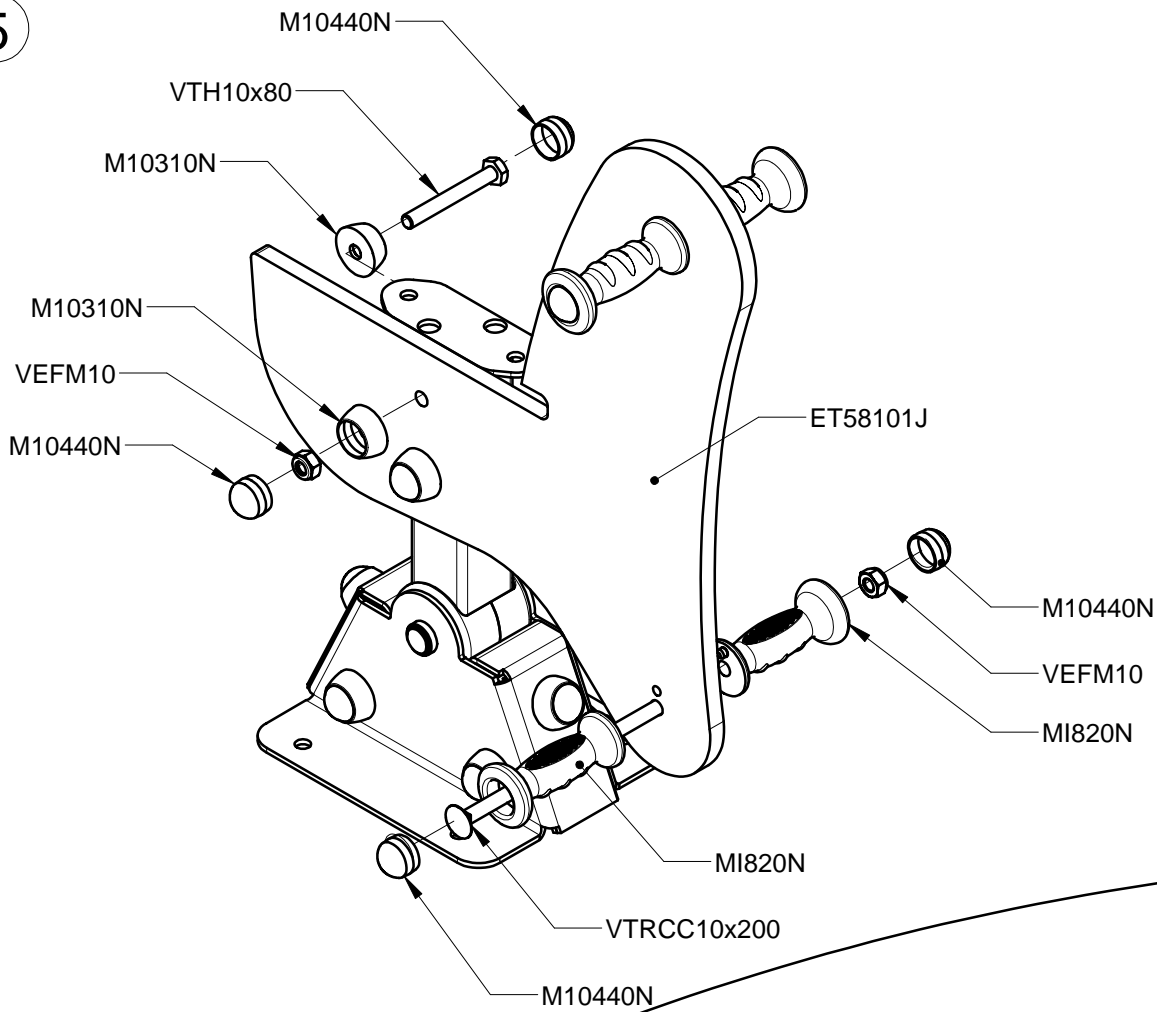


4



X2

5



6

