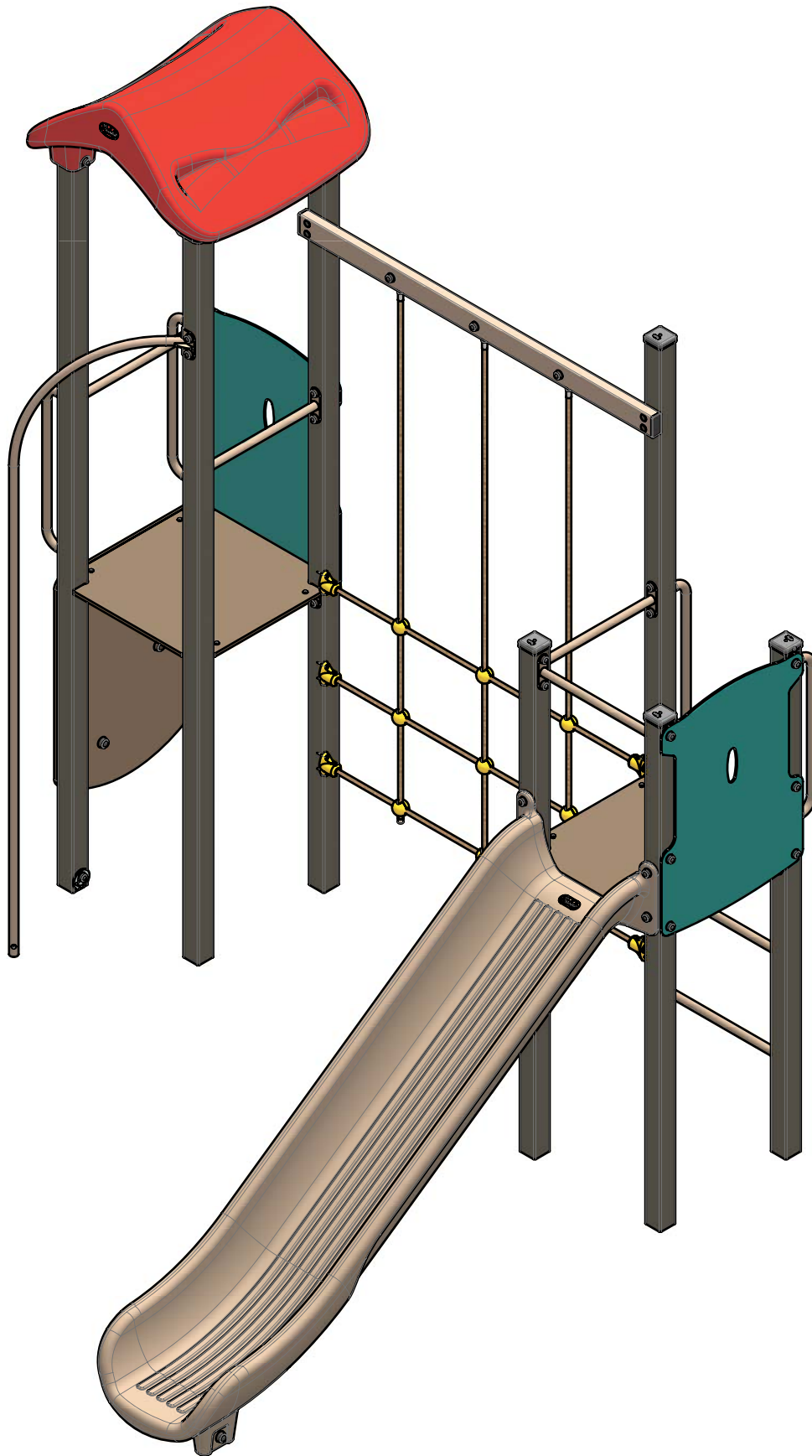


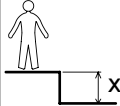
J5824

Proludic





Proludic

N°		m ²
1	1 m	6 m ²
2	1.17 m	4.5 m ²
3	1.21 m	11 m ²
4	1.4 m	7 m ²

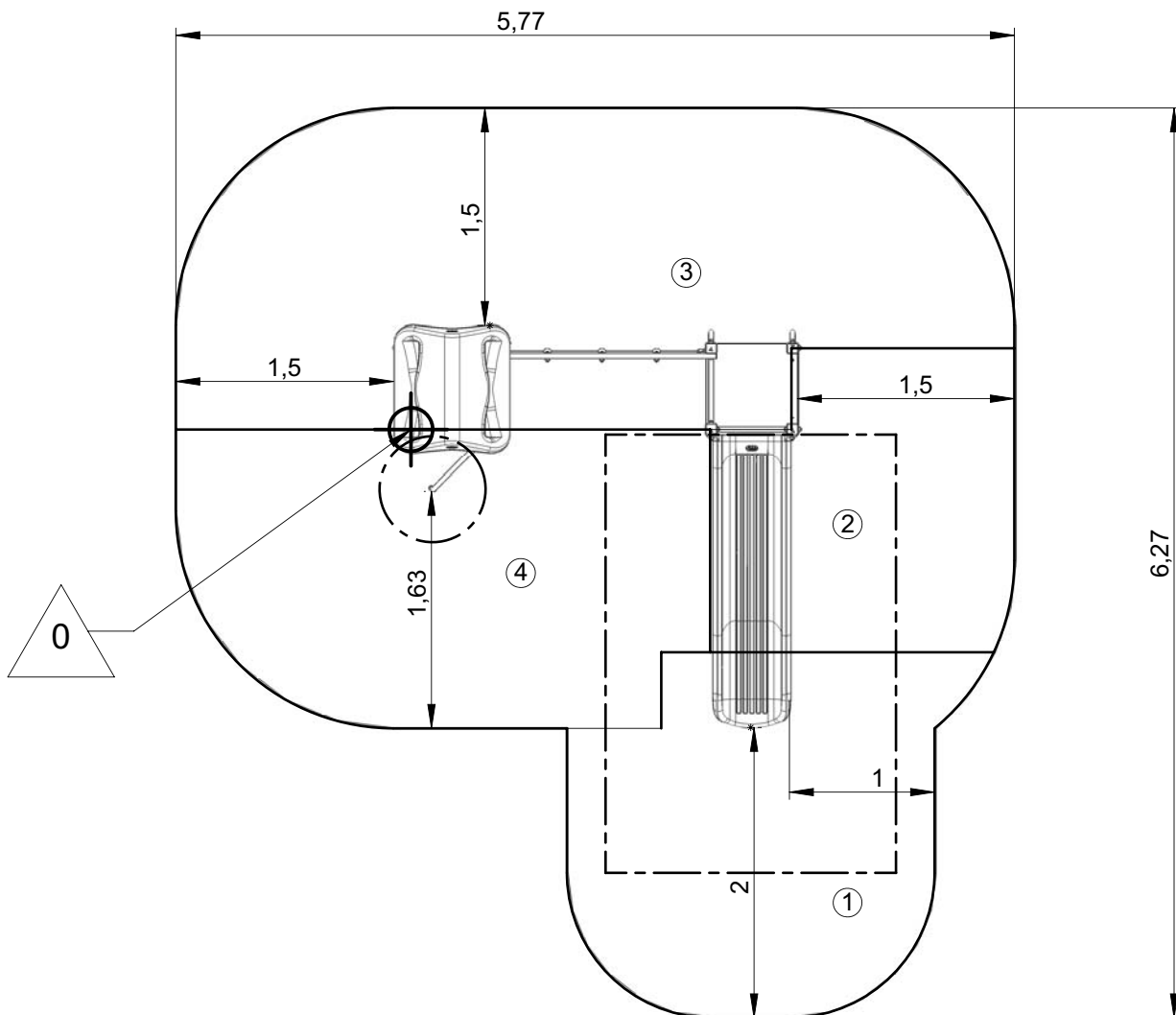
— Zone d'impact
Impact area
Area de impacto
Fallraum
Valzone

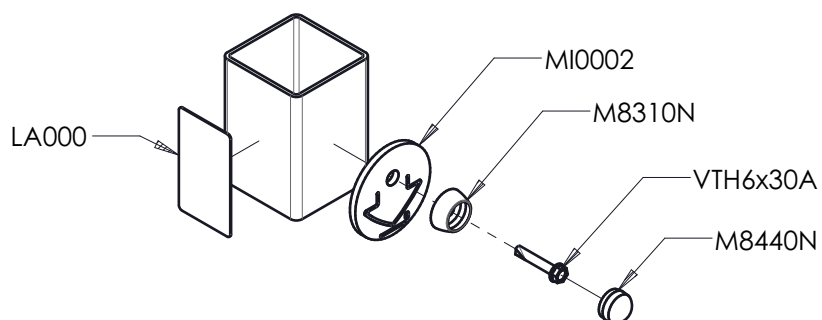
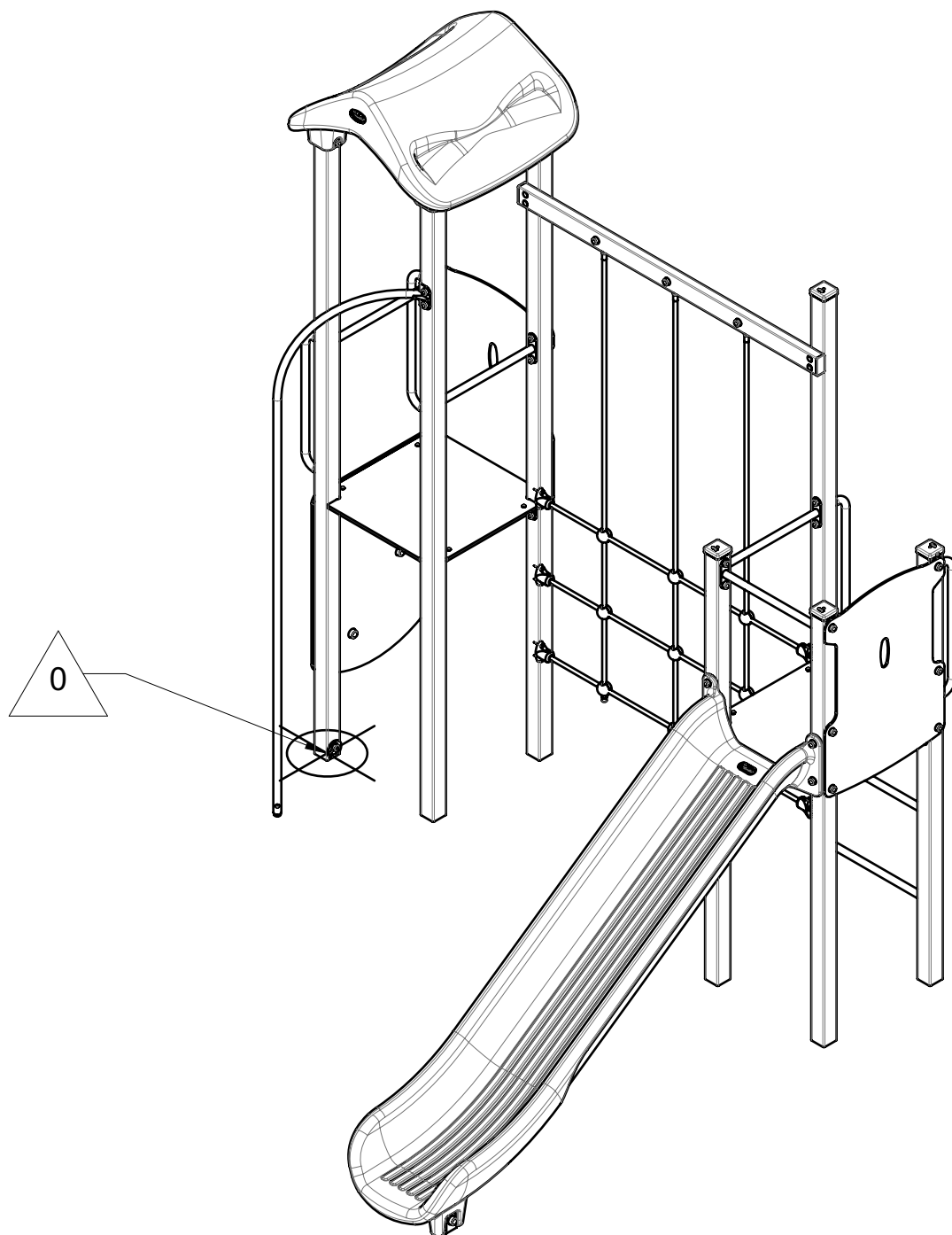


Point de référence
Setting out point
Punto de referencia
Bezugspunkt
Referentiepunt

- - - Espace libre
Free space
Espacio libre
Freiraum
Vrije ruimte

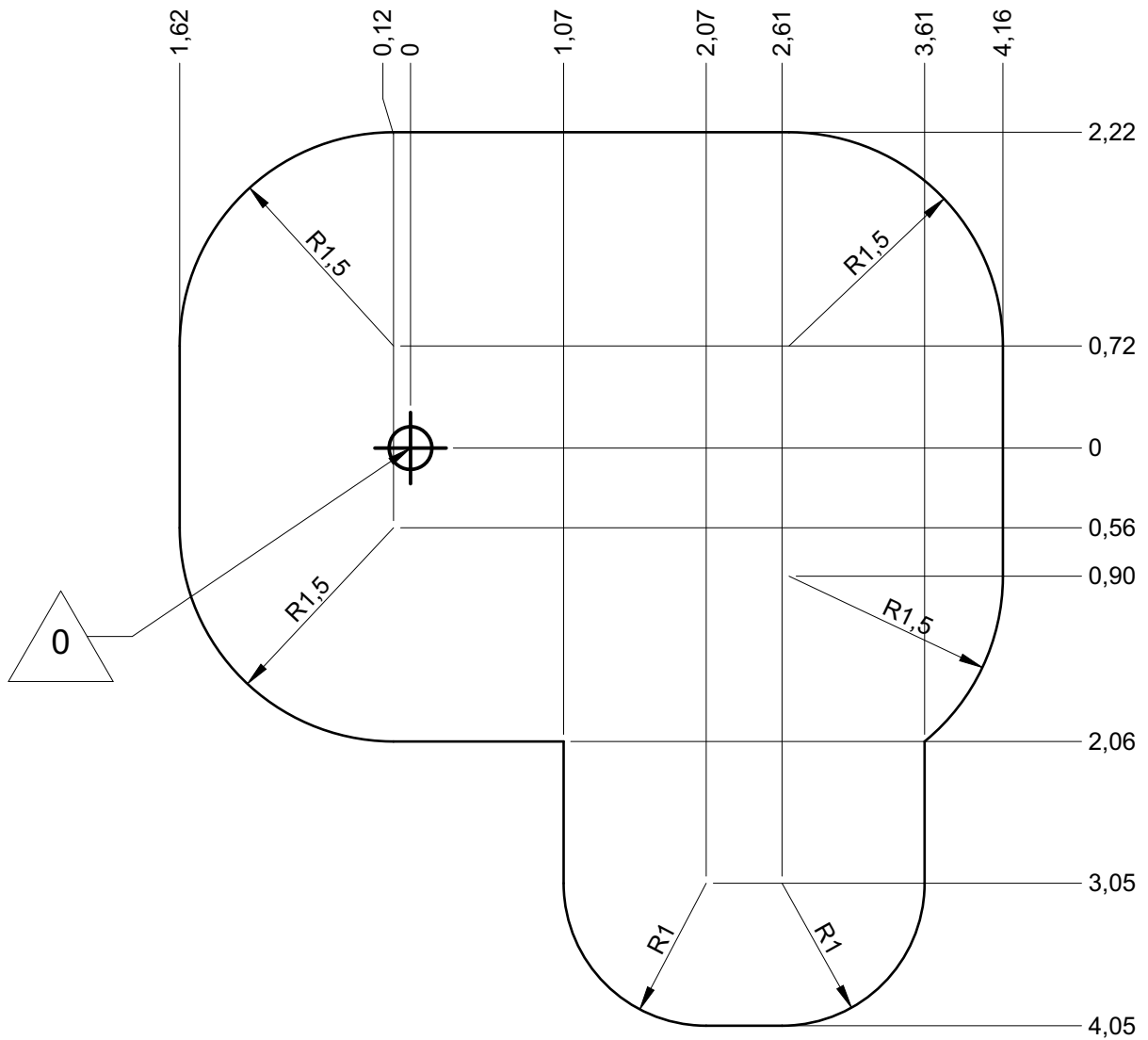
EN1176-1:2017
EN1176-3:2017





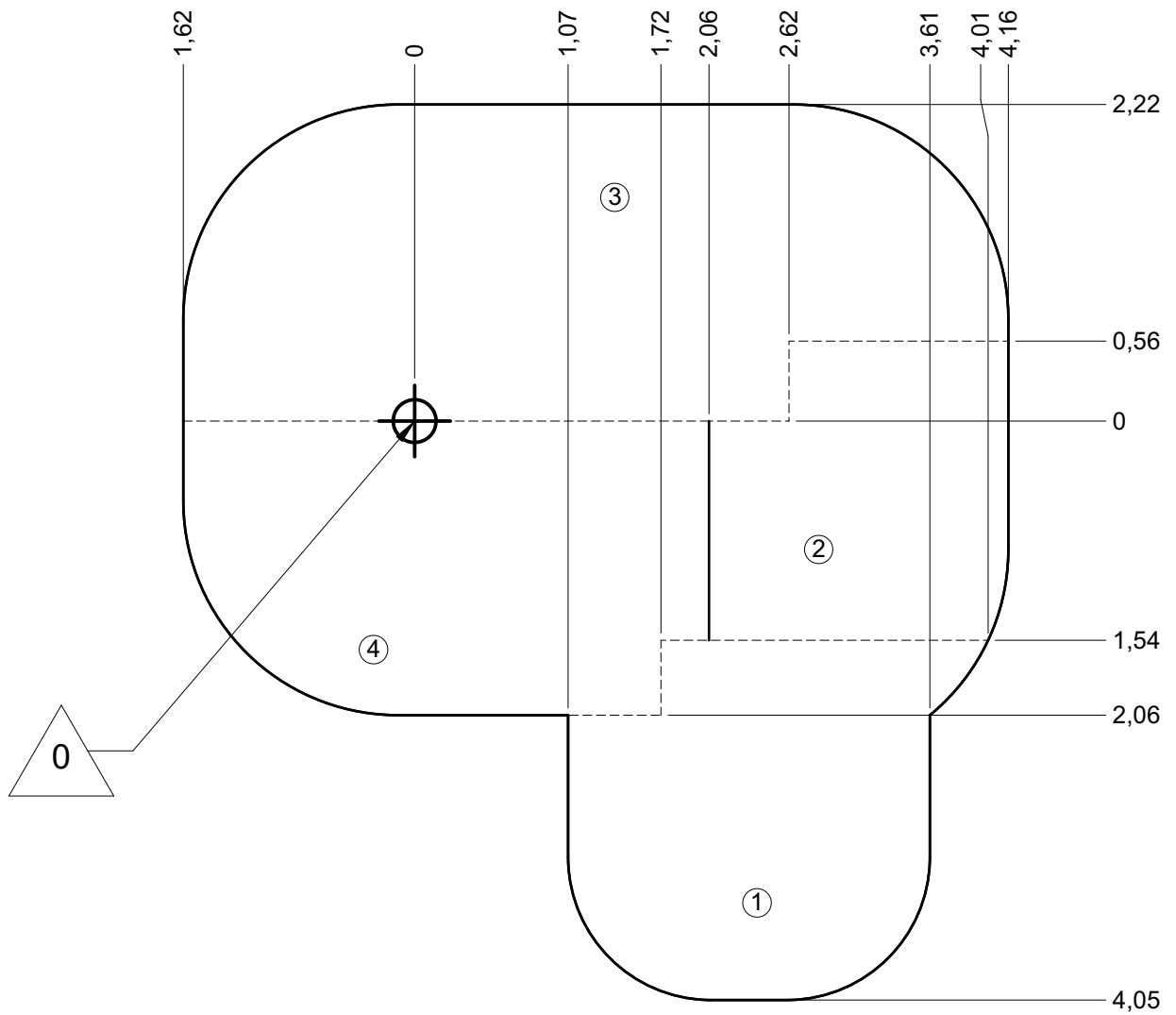
— Zone d'impact
 Impact area
 Area de impacto
 Fallraum
 Valzone

28.5 m²



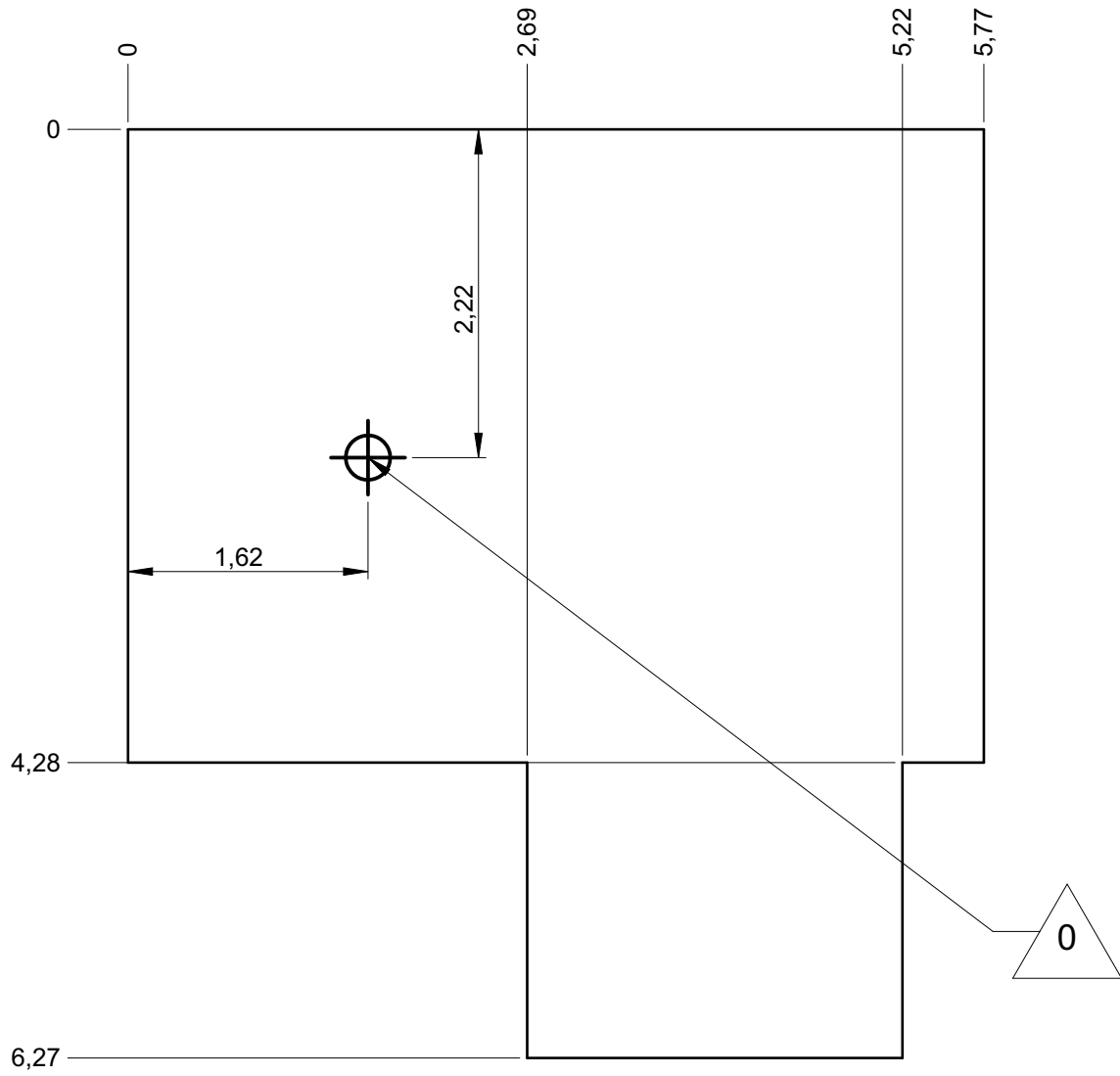
— Sol souple
 Wepour
 Caucho continuo
 Synthetischer Fallschutz
 Gietvloer

28.5 m²



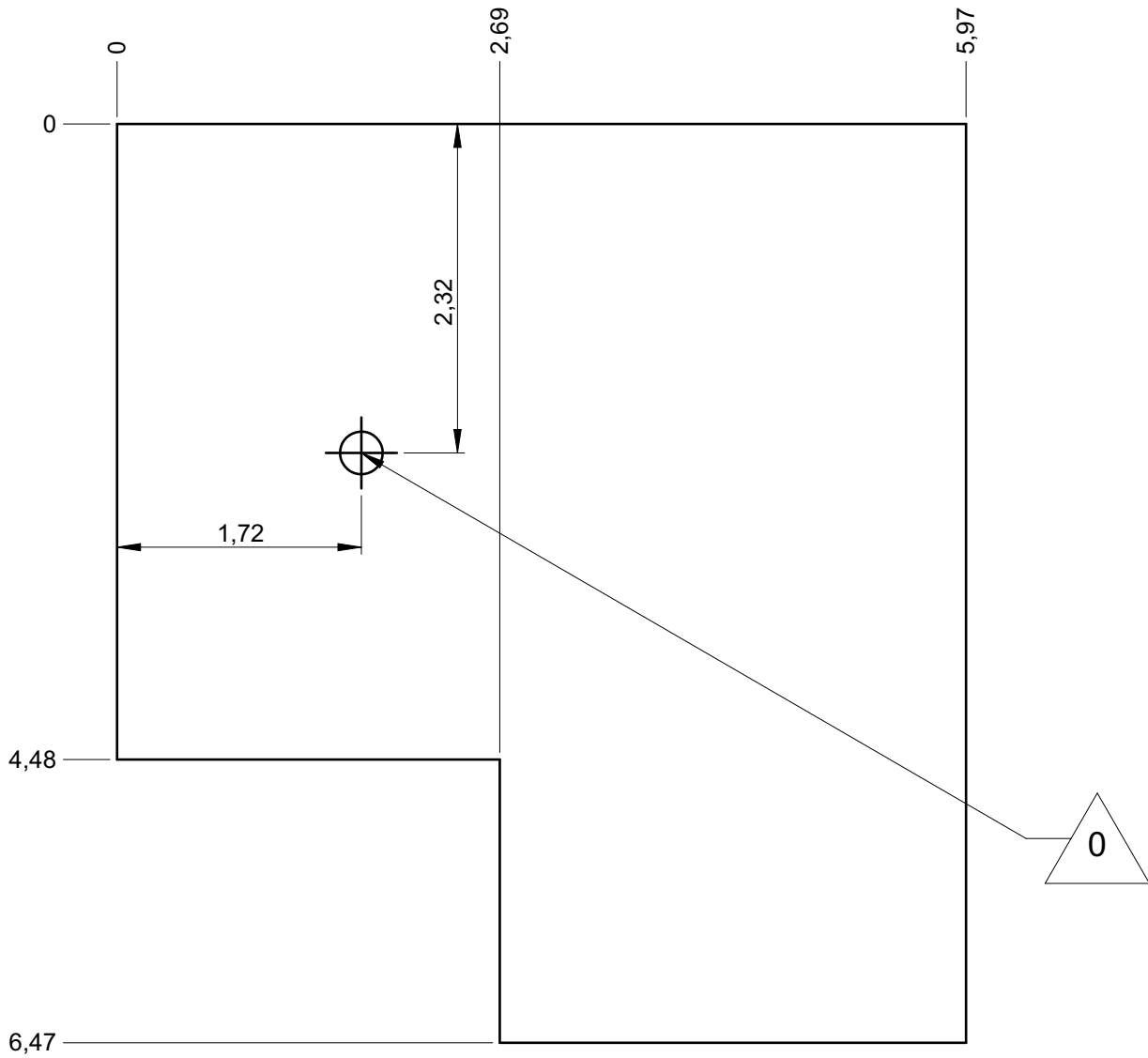
— Dalle béton
Concrete pad
Solera de hormigon
Beton Bodenplatte
Betonnen bodemplaat

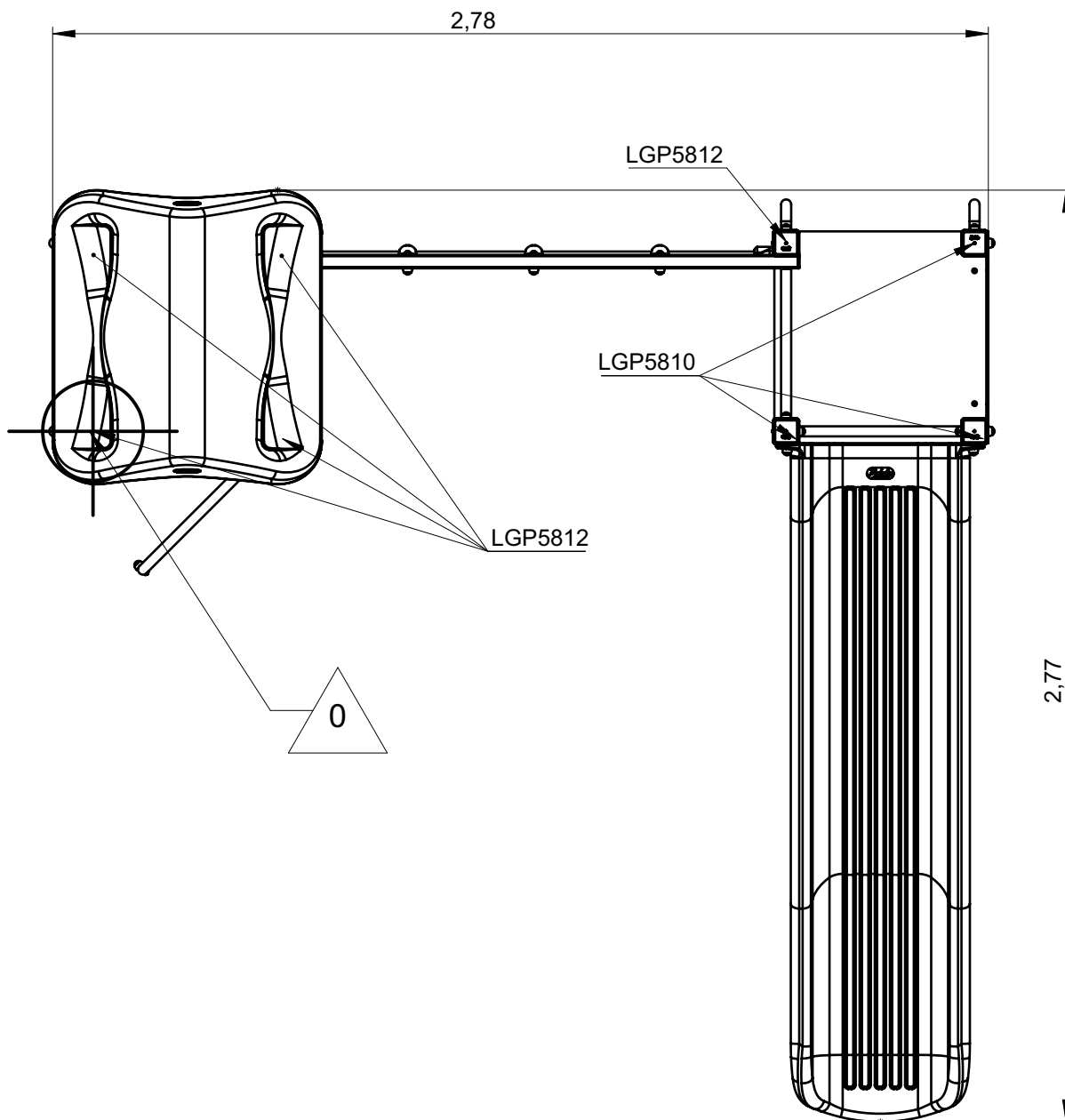
25 m
30 m²

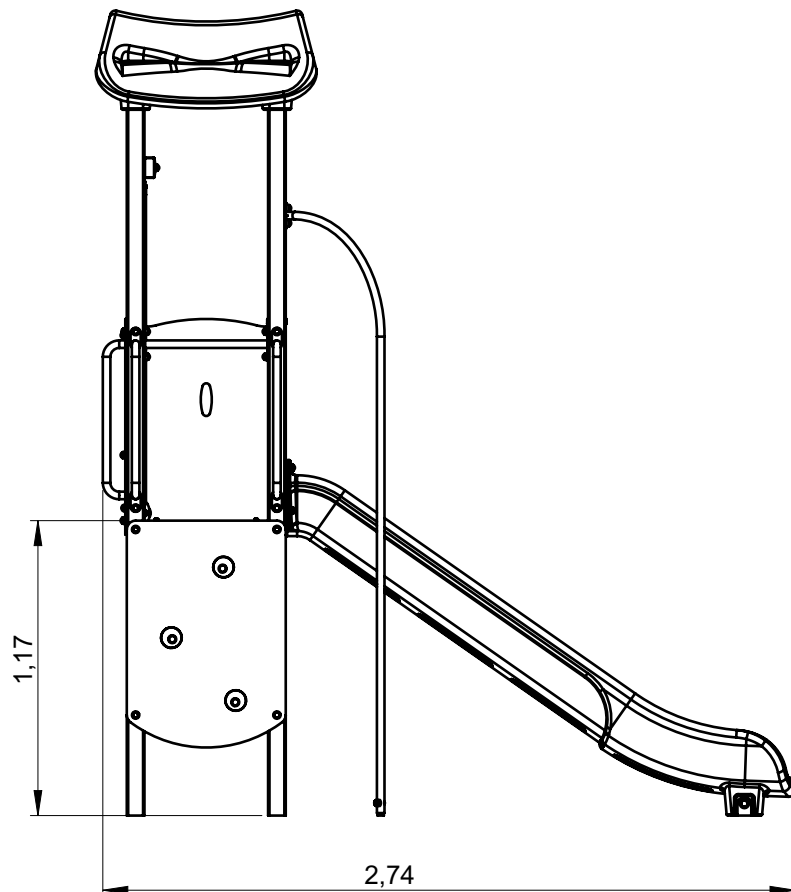
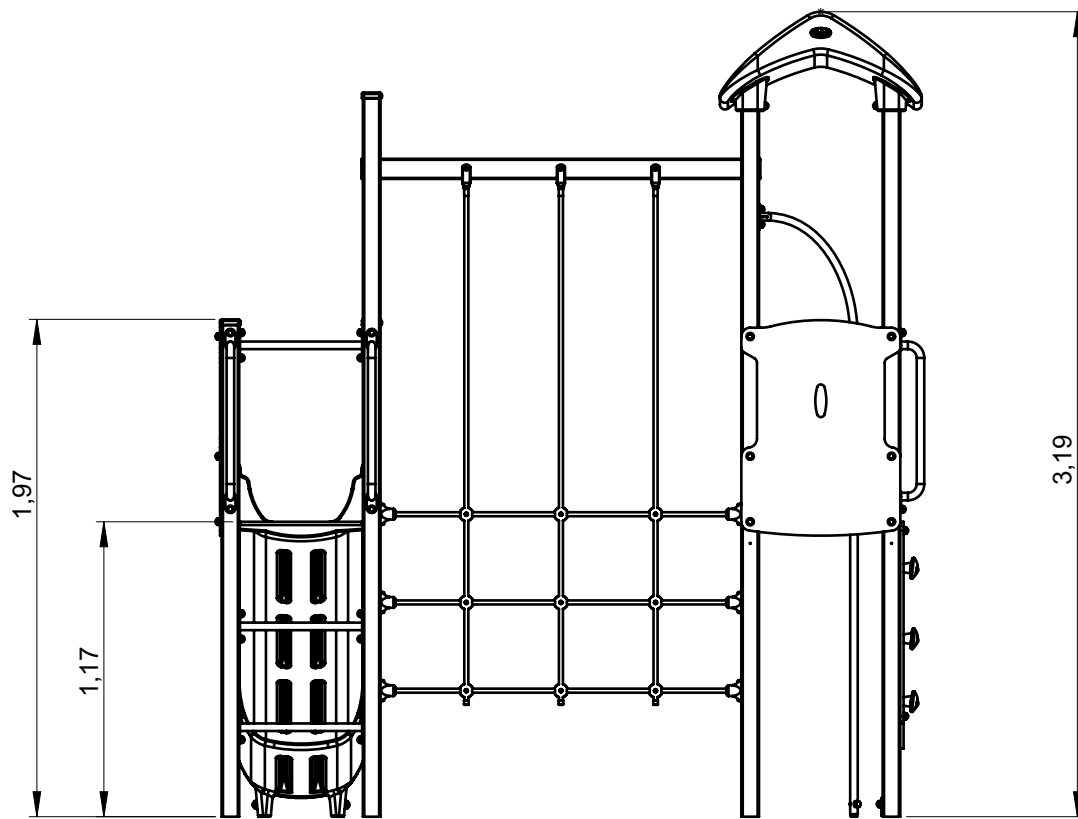


— Sol fluent
Loos partucule material
Arenero
Loses Bodenmaterial
Los bodemateriaal

26 m
34 m²



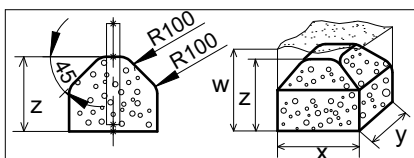
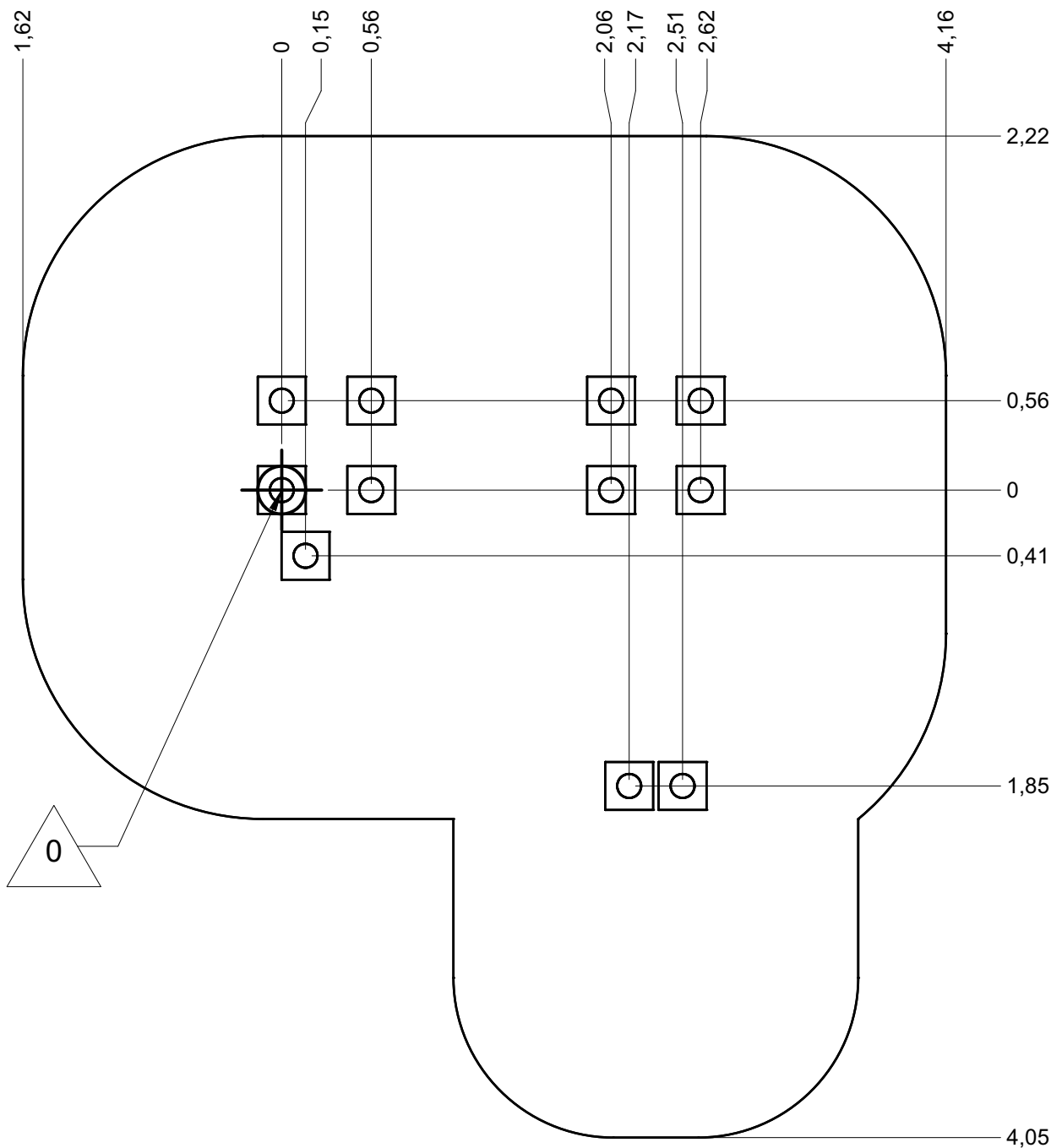




J5824A

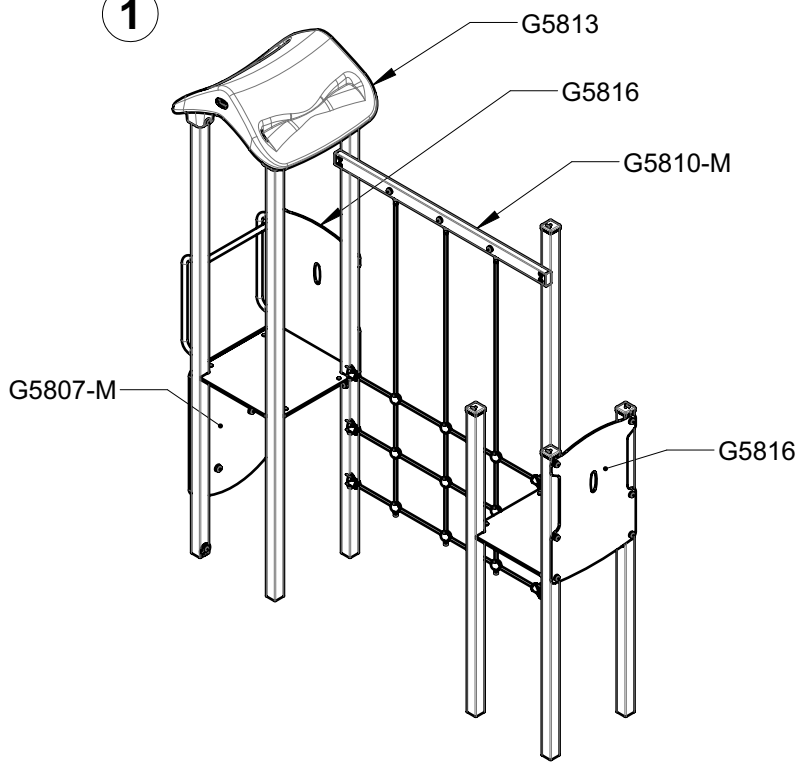
Proludic

Implantation
 Footing plan
 Implantación
 Fundamentplan
 Funderingstekening

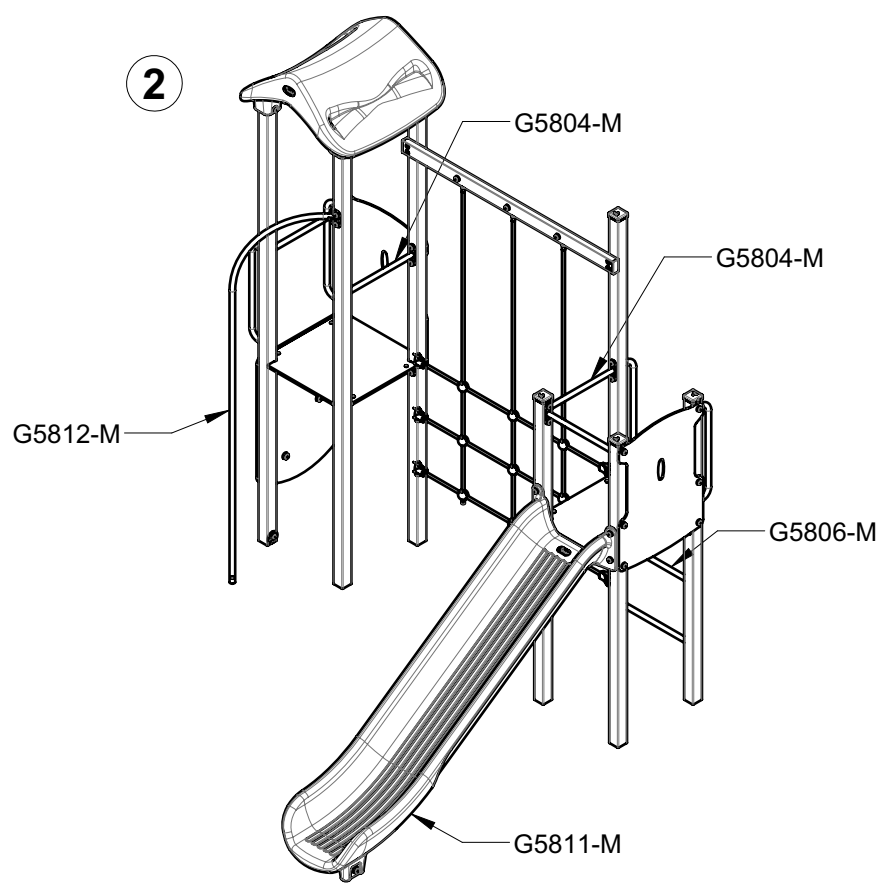


	x	y	z	w
	0.3	0.3	0.3	0.6
	0.4	0.4	0.3	0.6
	0.6	0.3	0.3	0.6

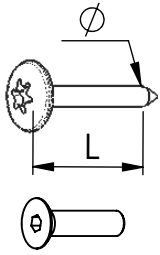
1



2

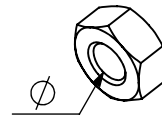


Réf	Qté
G5804-M	2
G5806-M	1
G5807-M	1
G5810-M	1
G5811-M	1
G5812-M	1
G5813	1
G5815	1
G5816	2
M8310N	1
M8440N	1
MI0002	1
VTH6x30A	1

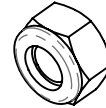


VBT 6 x 30
 \varnothing L (mm)

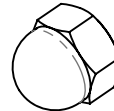
VFHC



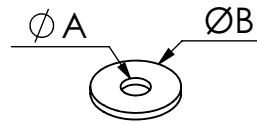
VEC M10
 \varnothing




VEF




VEB



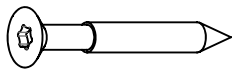
VR6x18
 $\varnothing A$ $\varnothing B$



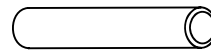
1000 - 1800 tr/min
 Vitesse de rotation
 Rotation speed



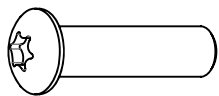
14 N.m
 Couple de rupture
 Torque of break



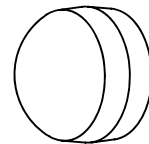
VWT



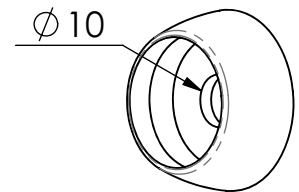
VGC



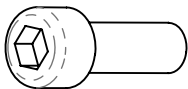
VCBHC



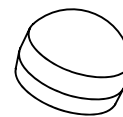
M10 440N



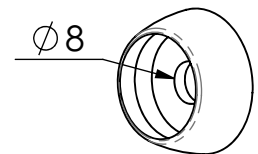
M10 310 N



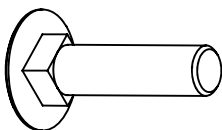
VBTR



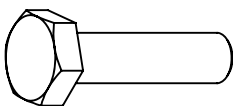
M8440N



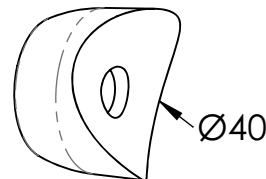
M8310N



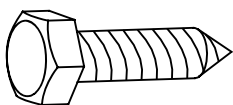
VTRCC



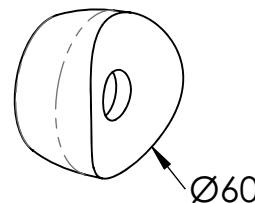
VTH



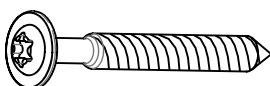
MI2503



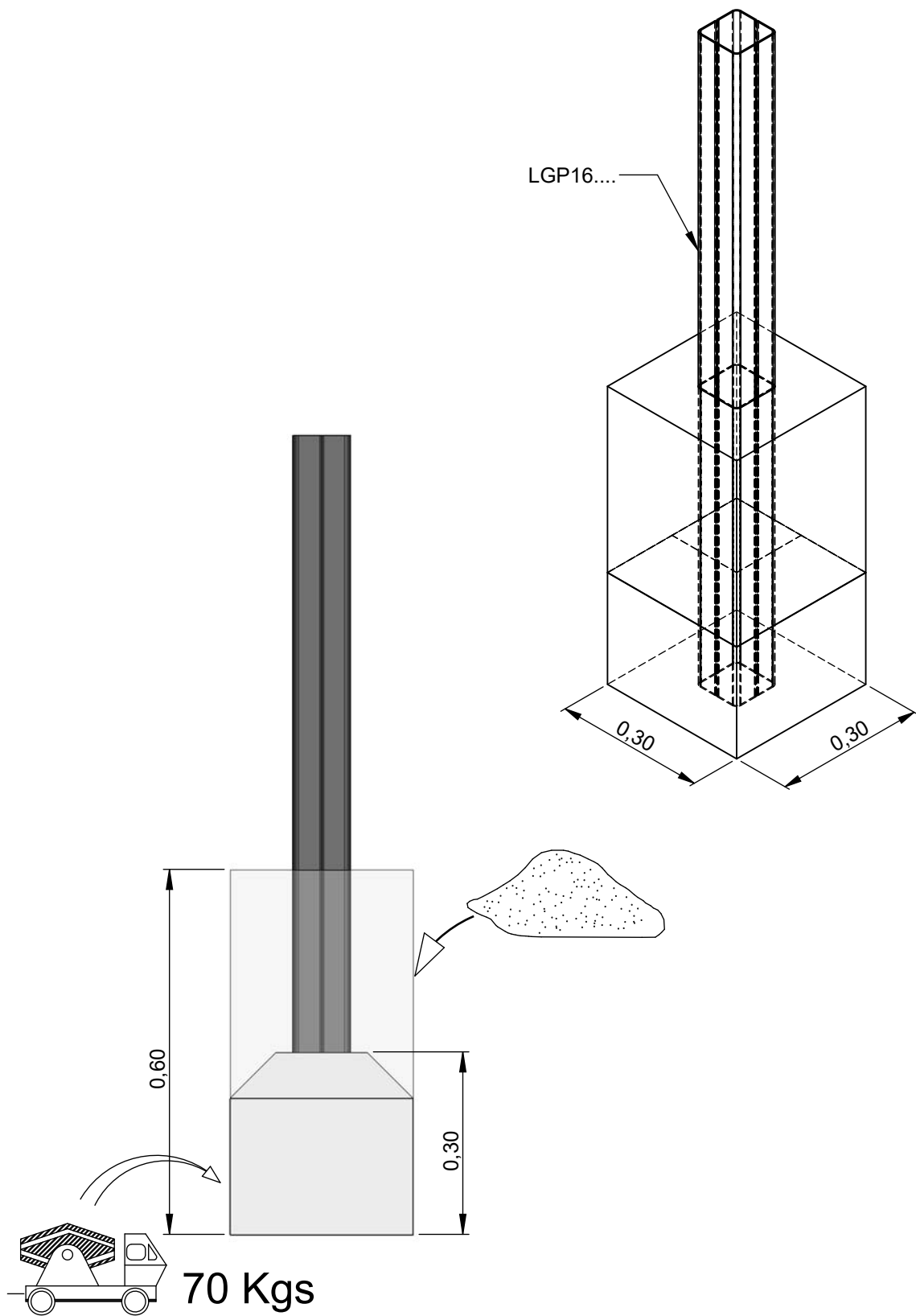
VTF

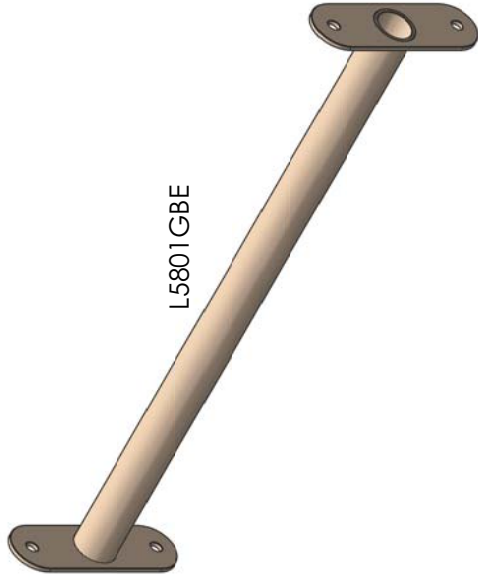
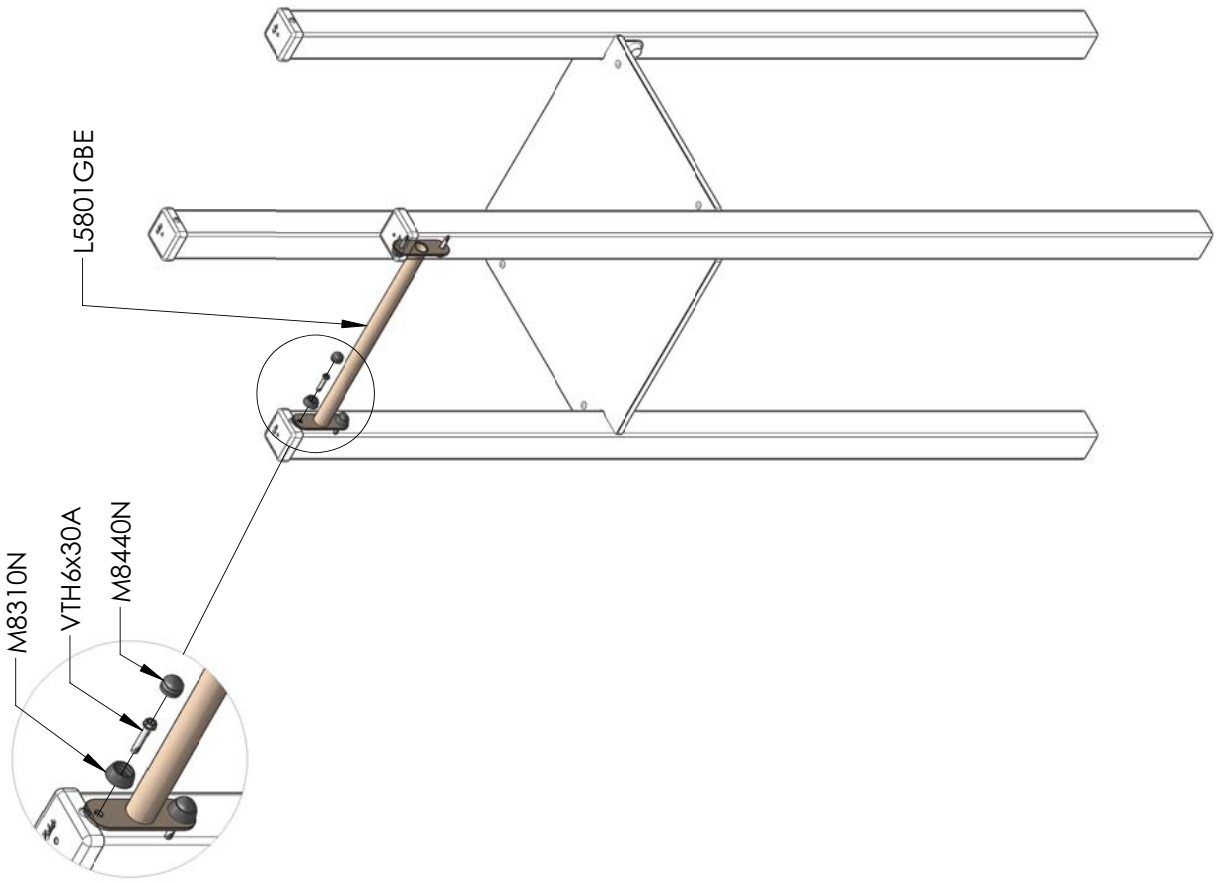
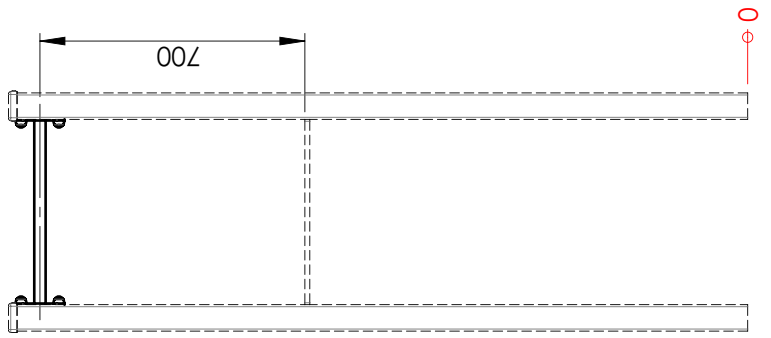


MI2701

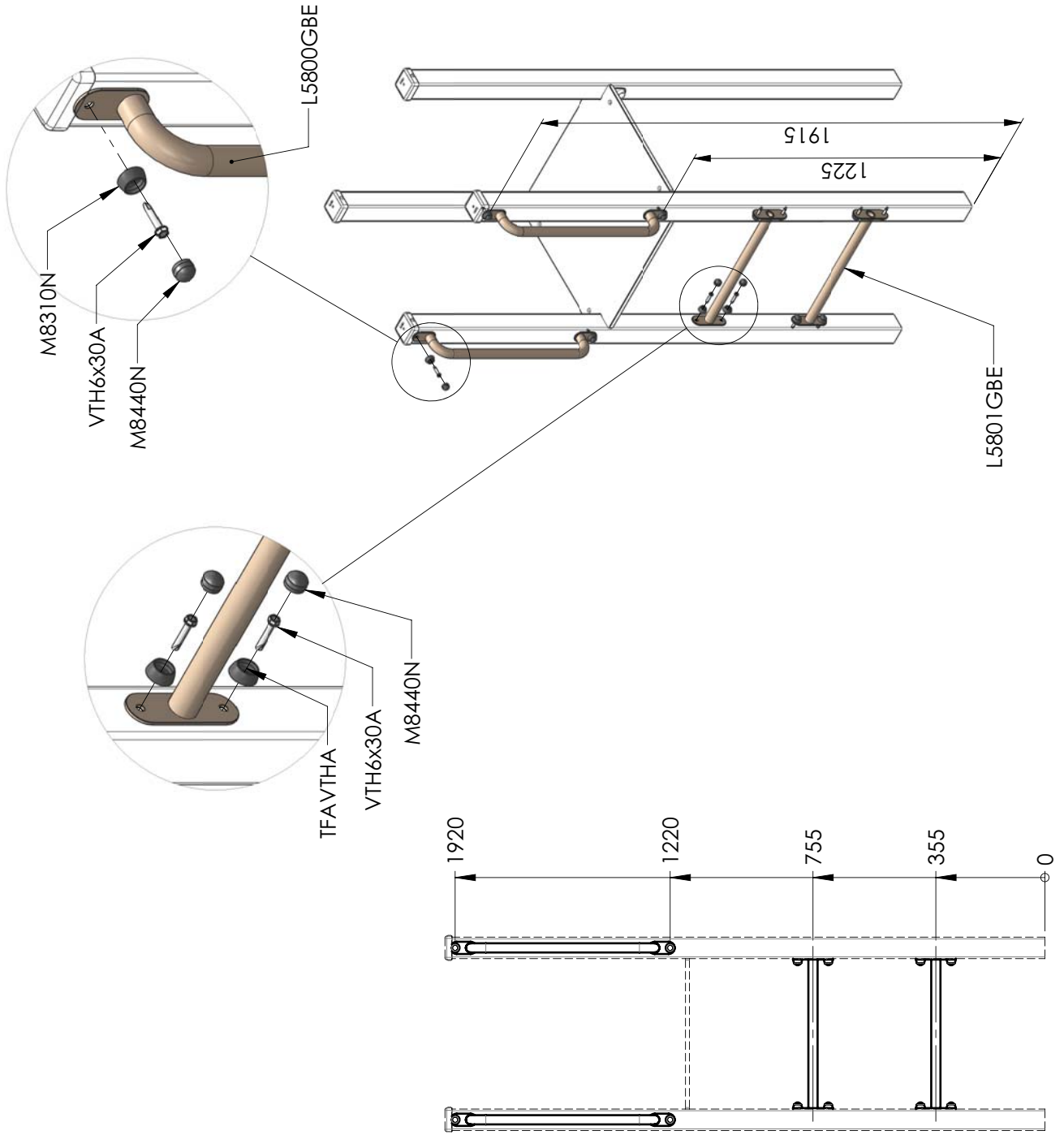


VBT



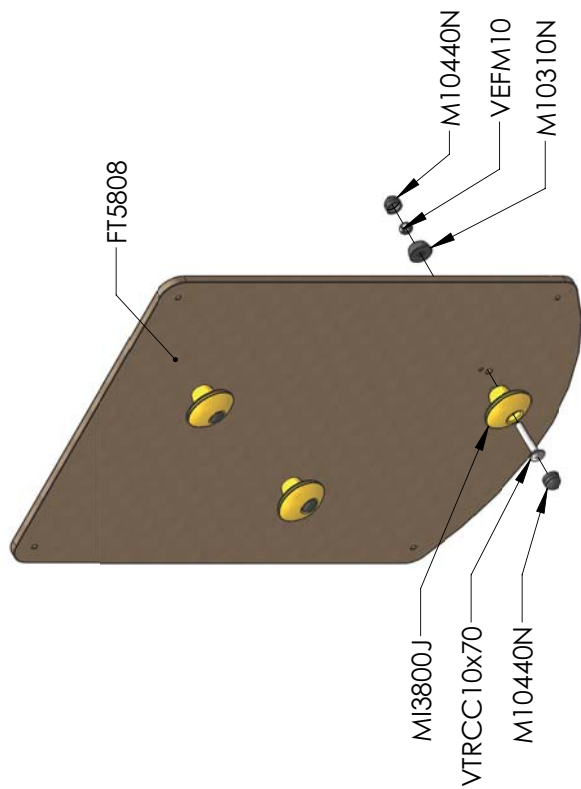


Ref	Qt
L5801 GBE	1
M8310N	4
M8440N	4
VTH6x30A	4

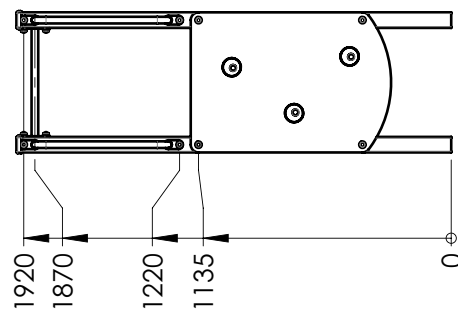
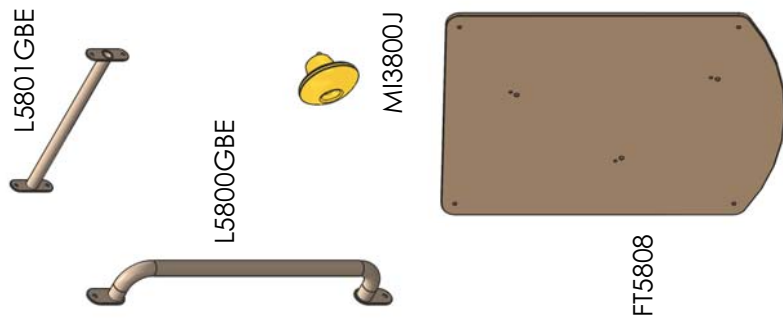
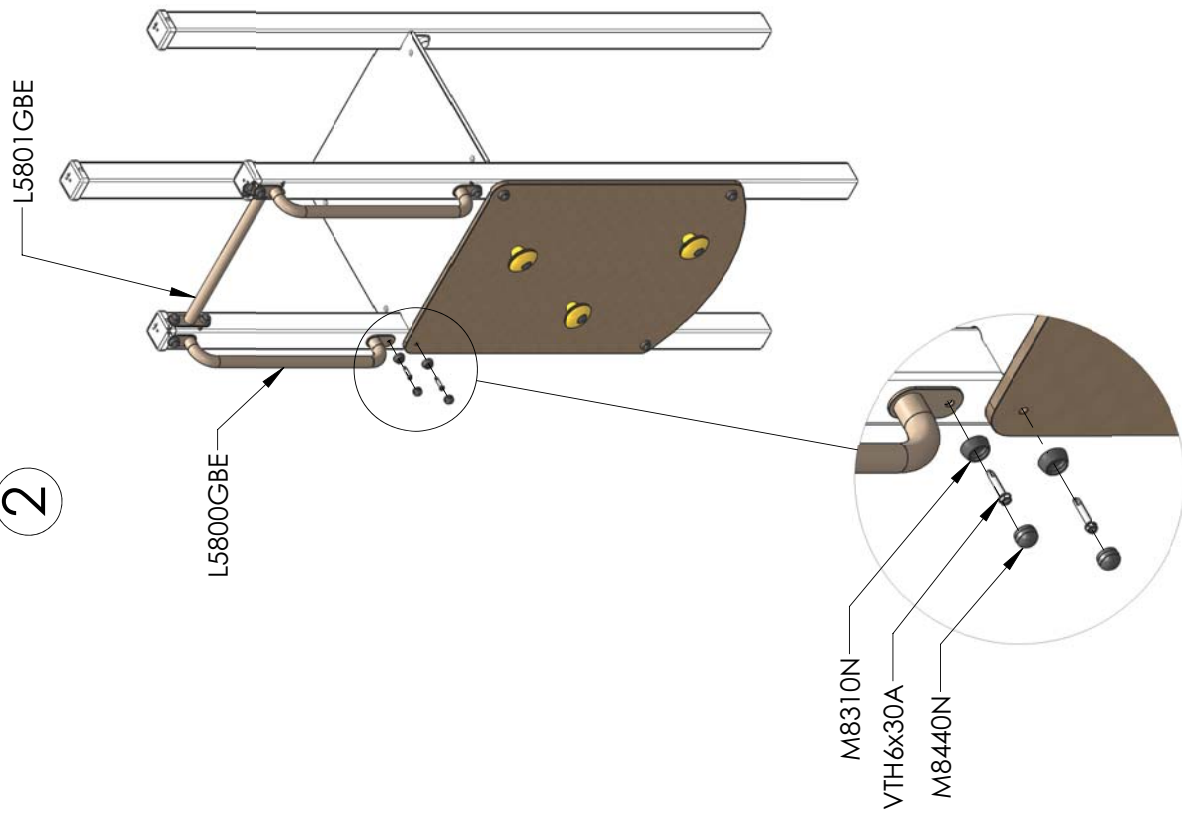


L5800GBE	2
L5801GBE	2
M8310N	12
M8440N	12
VTH6x30A	12

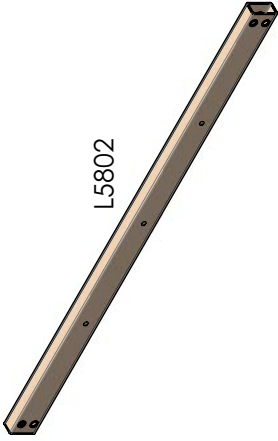
1



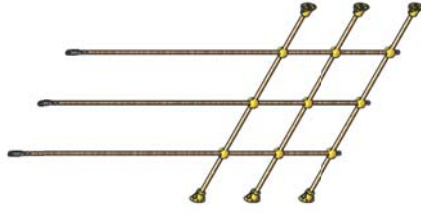
2



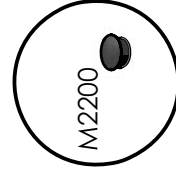
Reference	Qt
FT5808	1
L5800GBE	2
L5801GBE	1
M8310N	12
M8440N	12
M10310N	3
M10440N	6
MI3800J	3
VEFM10	3
VTH6x30A	12
VTRCC10x70	3



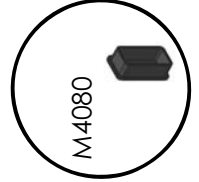
L5802



U5800

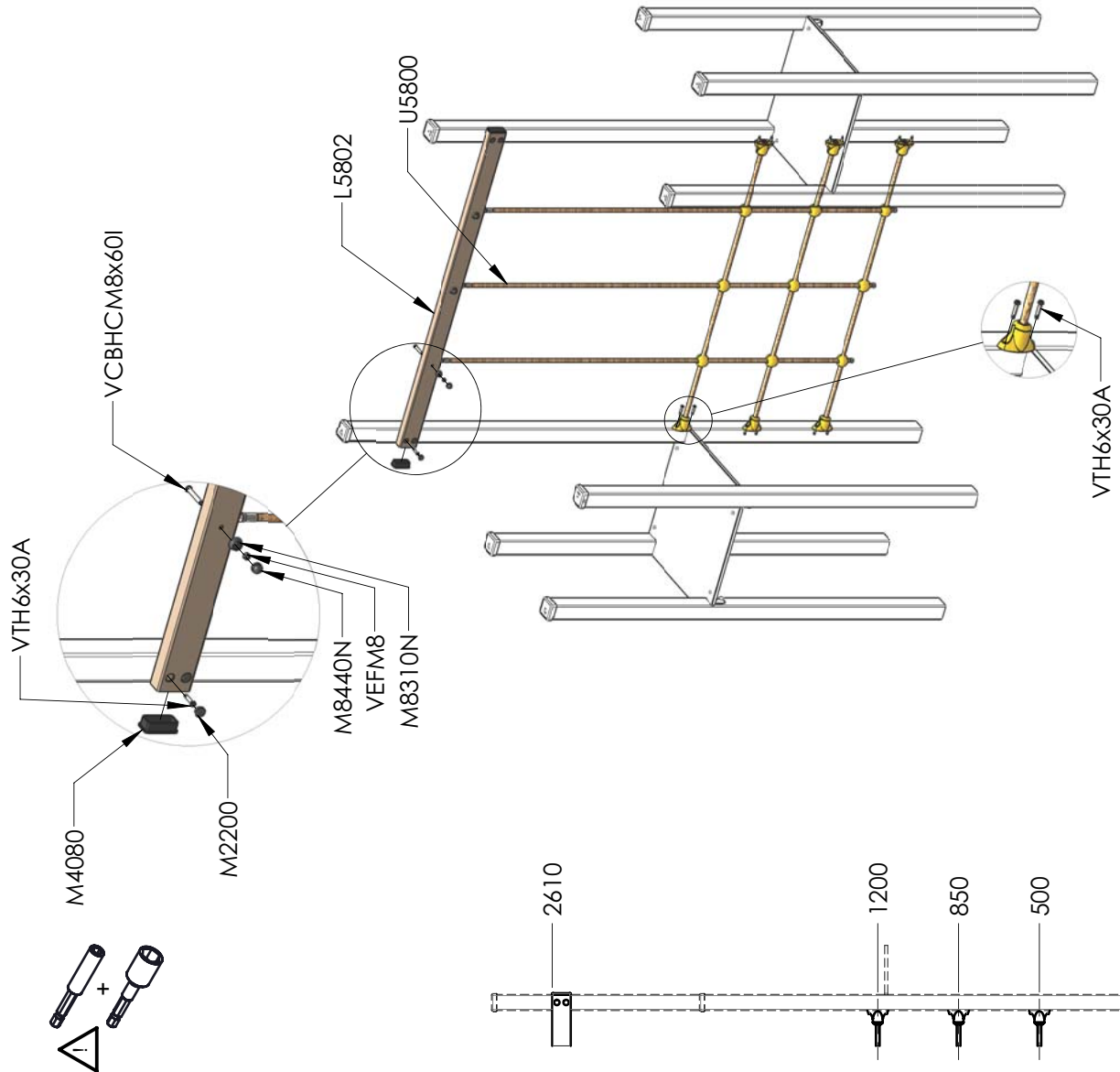


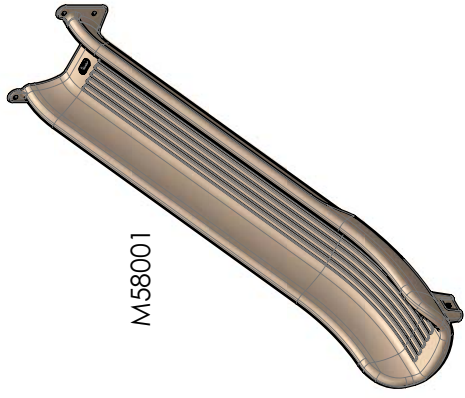
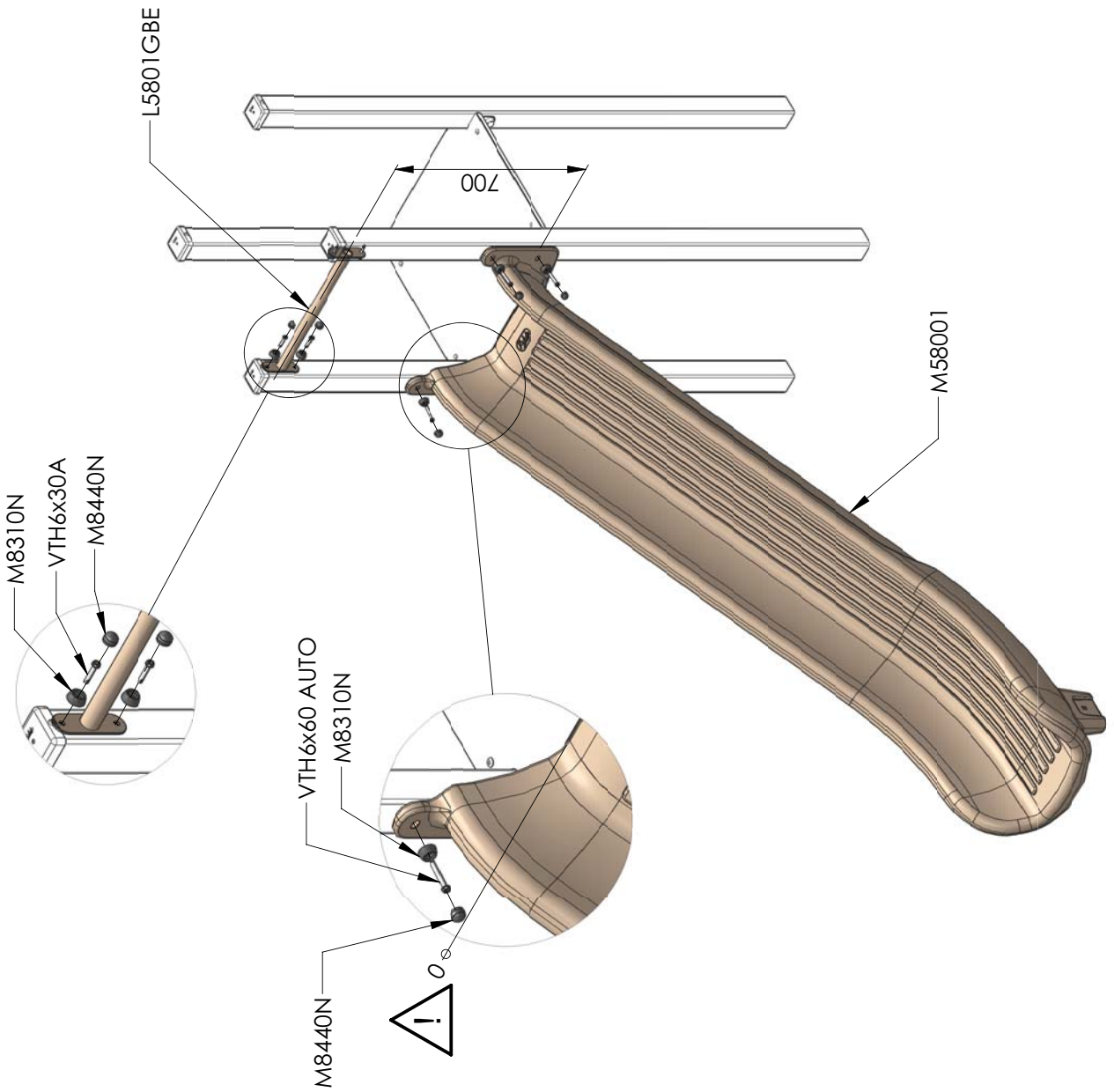
M2200



M4080

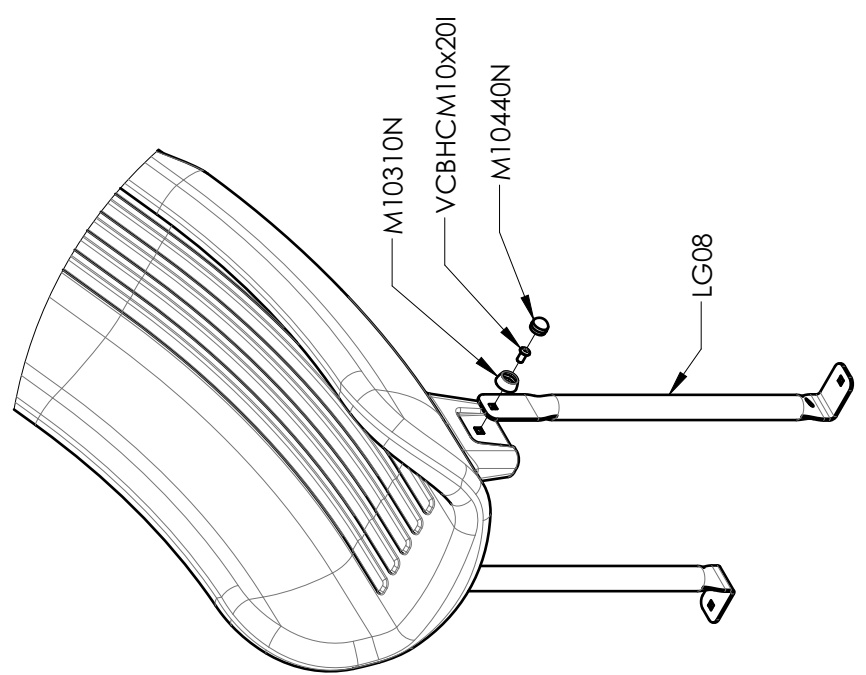
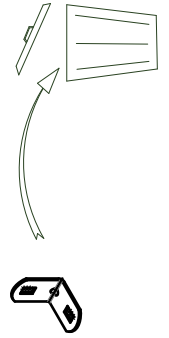
L5802	1
M2200	4
M4080	2
M8310N	3
M8440N	3
U5800	1
VCBHC M8x60I	3
VEFM8	3
VTH6x30A	16



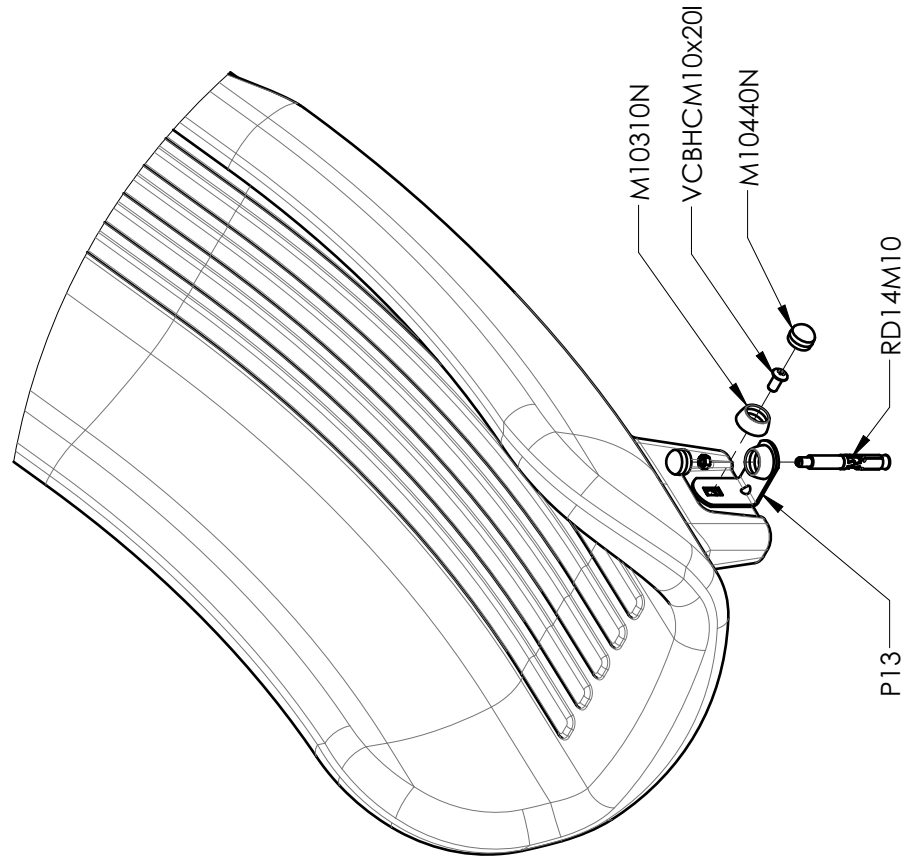
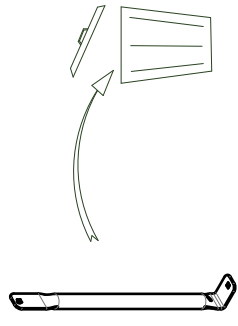


L5801GBE	1
M8310N	8
M8440N	8
M10310N	2
M10440N	2
M58001	1
VCBHC M10x20I	2
VTH6x30A	4
VTH6x60 AUTO	4

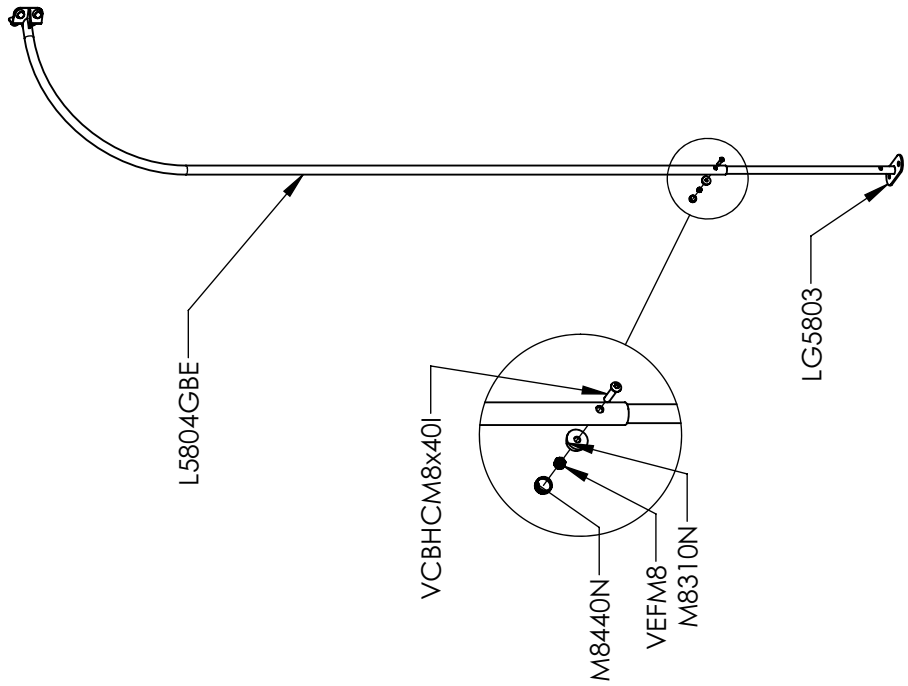
A



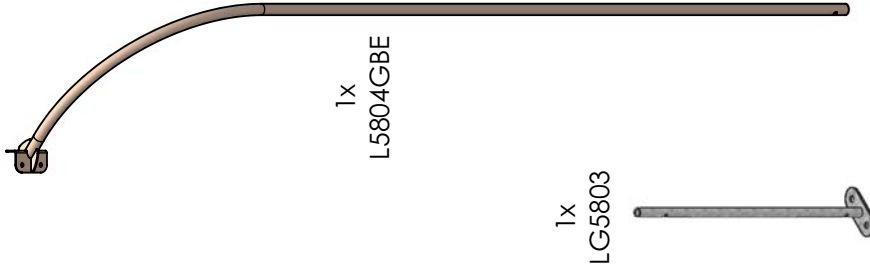
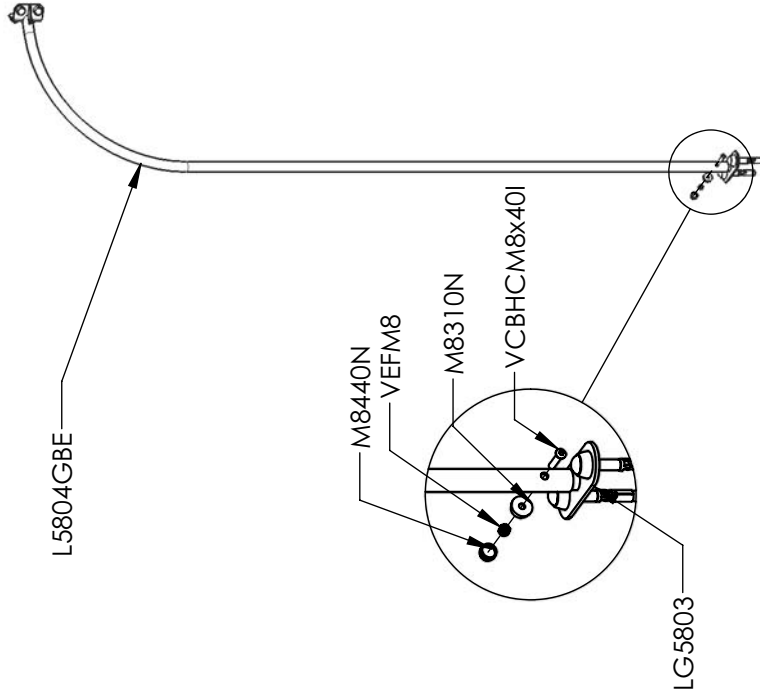
B



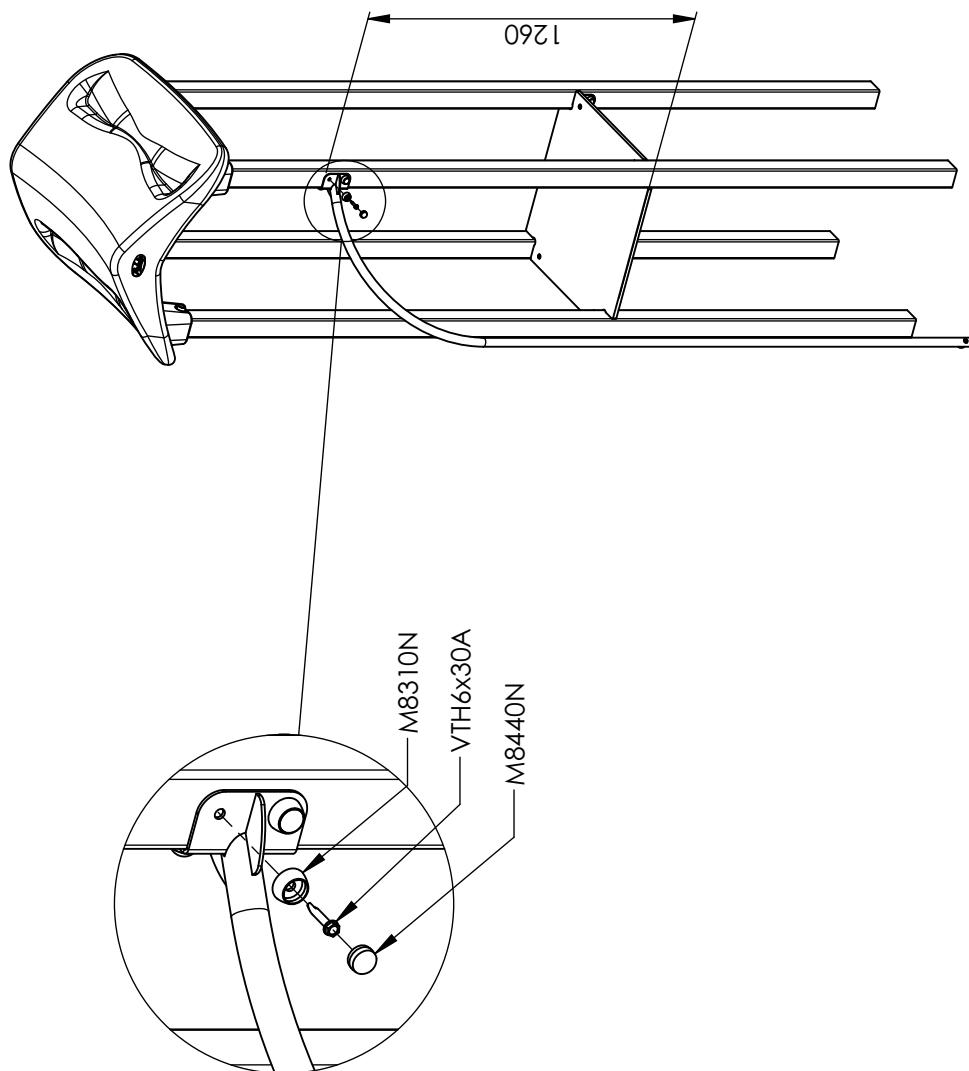
A



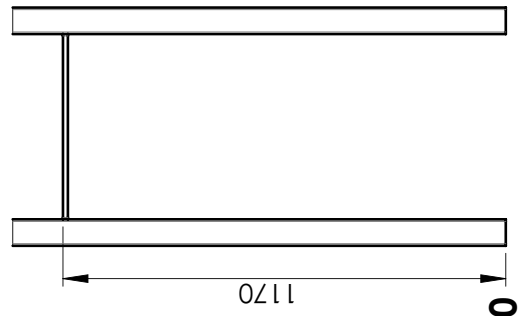
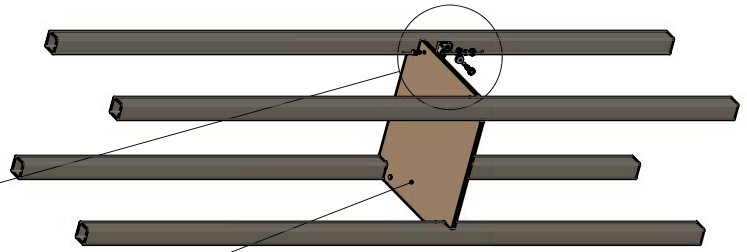
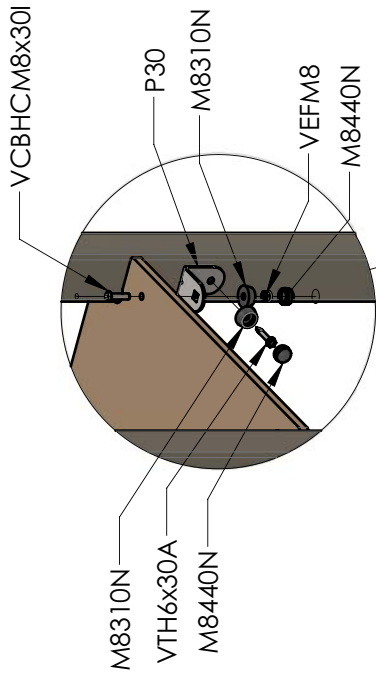
B



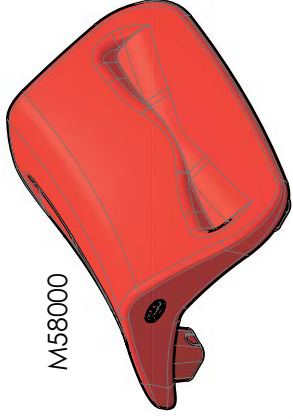
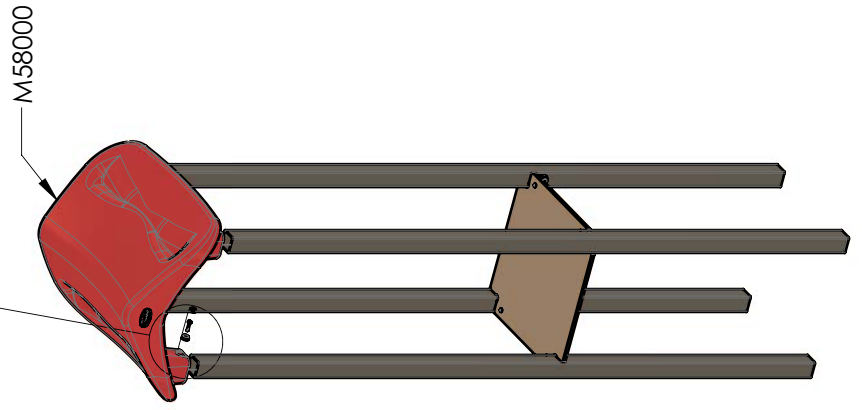
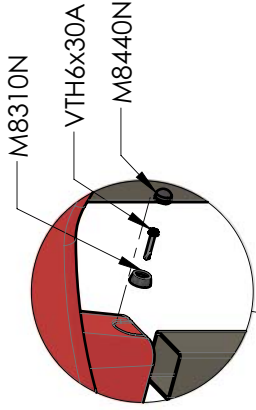
L5804GBE	1
LG5803	1
M8310N	5
M8440N	5
VCBHCM8x40I	1
VEFM8	1
VTH6x30A	4



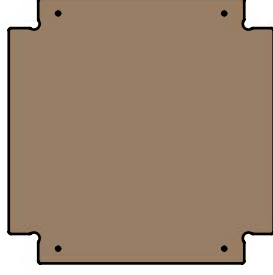
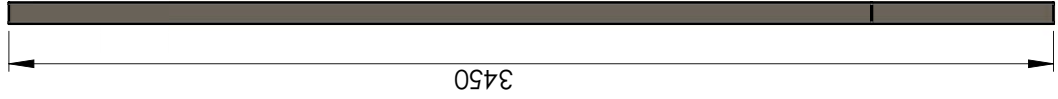
1



2



M58000



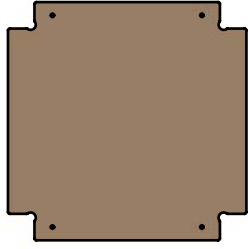
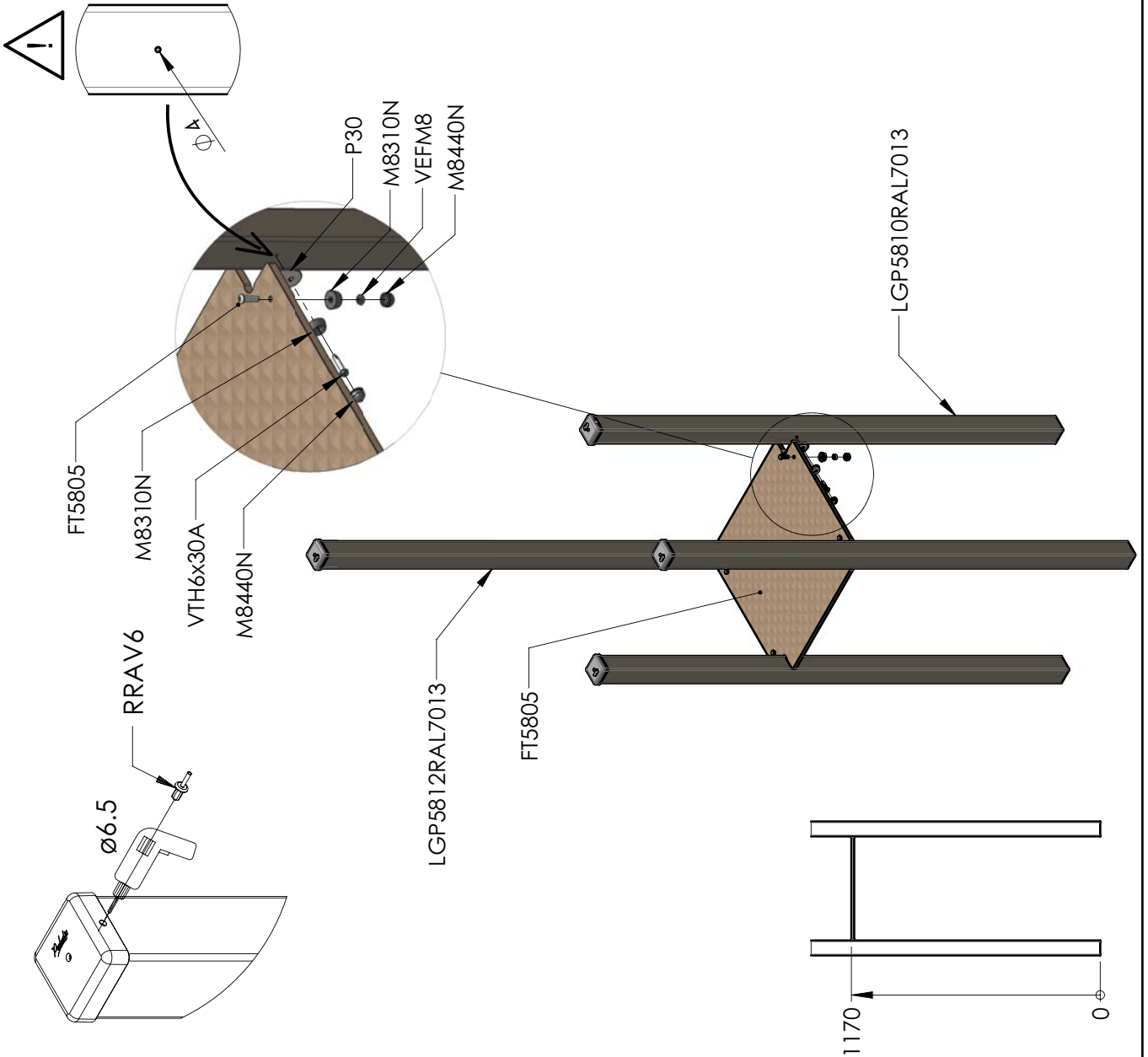
FT5805



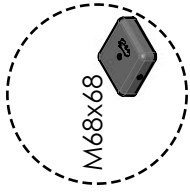
P30

Réf	Qté
FT5805	1
LGP5812RAL7013	4
M8310N	12
M8440N	12
M58000	1
P30	4
VCBHC8x30I	4
VEFM8	4
VTH6x30A	8

LGP5812RAL7013



FT5805



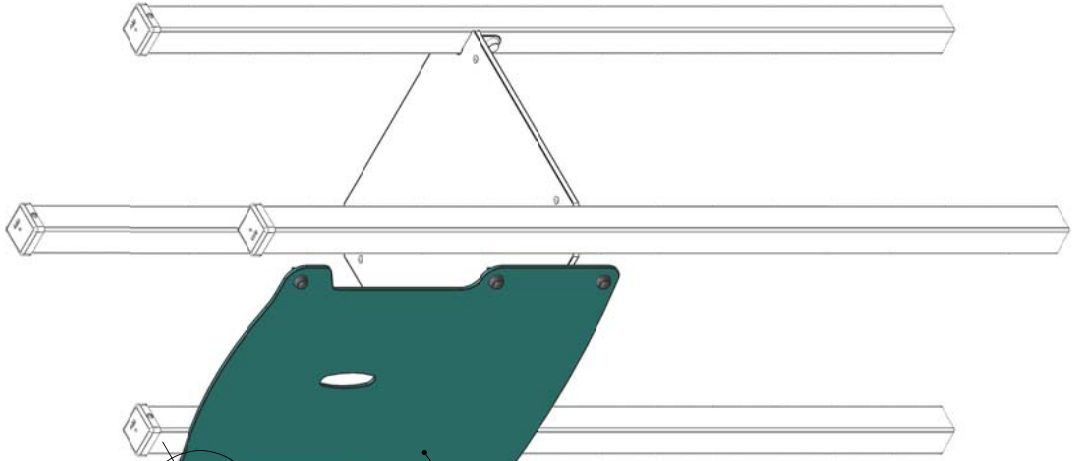
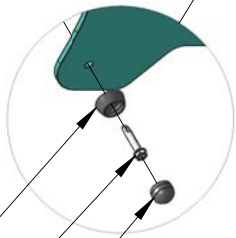
M68x68



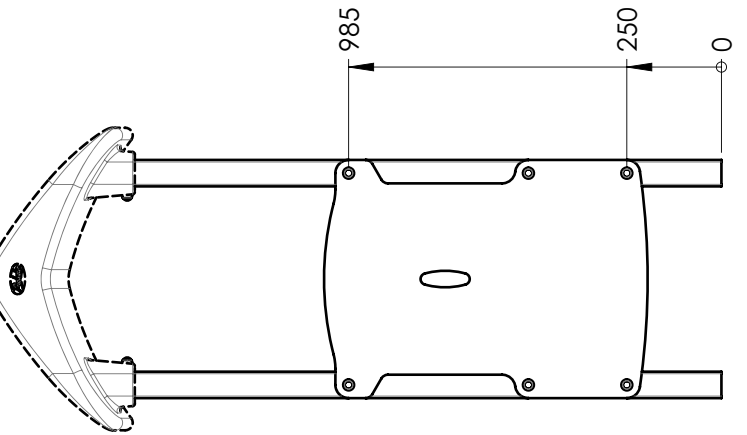
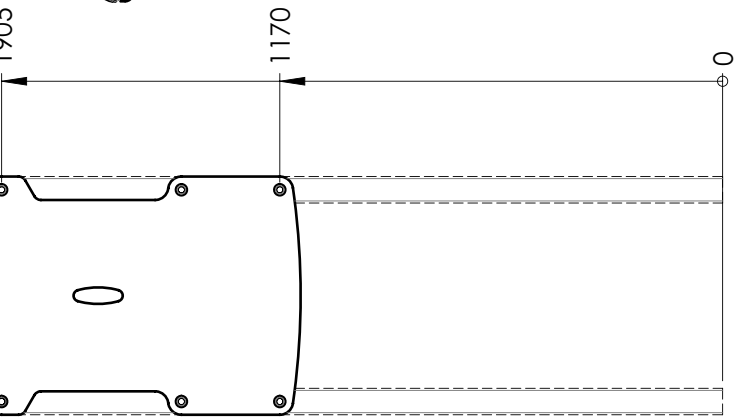
P30

Réf	Qté
FT5805	1
LGP5810RAL7013	3
LGP5812RAL7013	1
M68x68	4
M8310N	8
M8440N	8
P30	4
RRAV6	4
VCBHC M8x30I	4
VEFM8	4
VTH6x30A	4

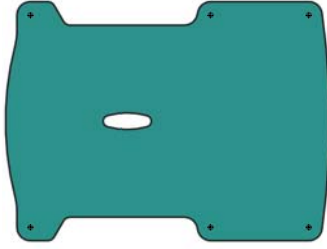
M8310N
VTH6x30A
M8440N



ET5803VMA



1x
ET5803VMA



ET5803VMA	1
M8310N	6
M8440N	6
VTH6x30A	6