



N°		
1	1 m	6.5 m ²
2	1.17 m	14.5 m ²

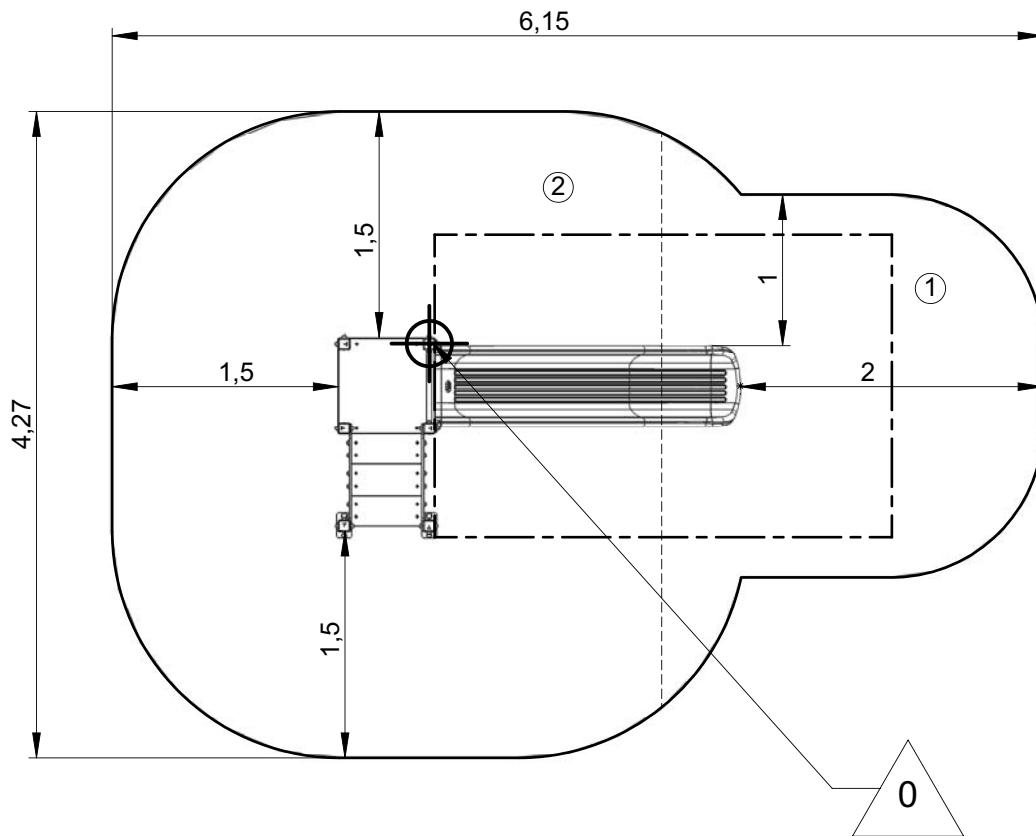
— Zone d'impact
Impact area
Area de impacto
Fallraum
Valzone

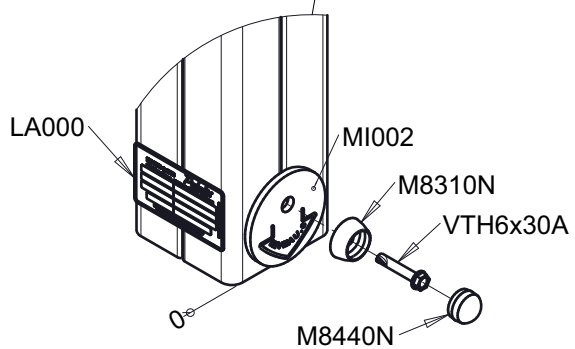
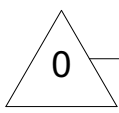
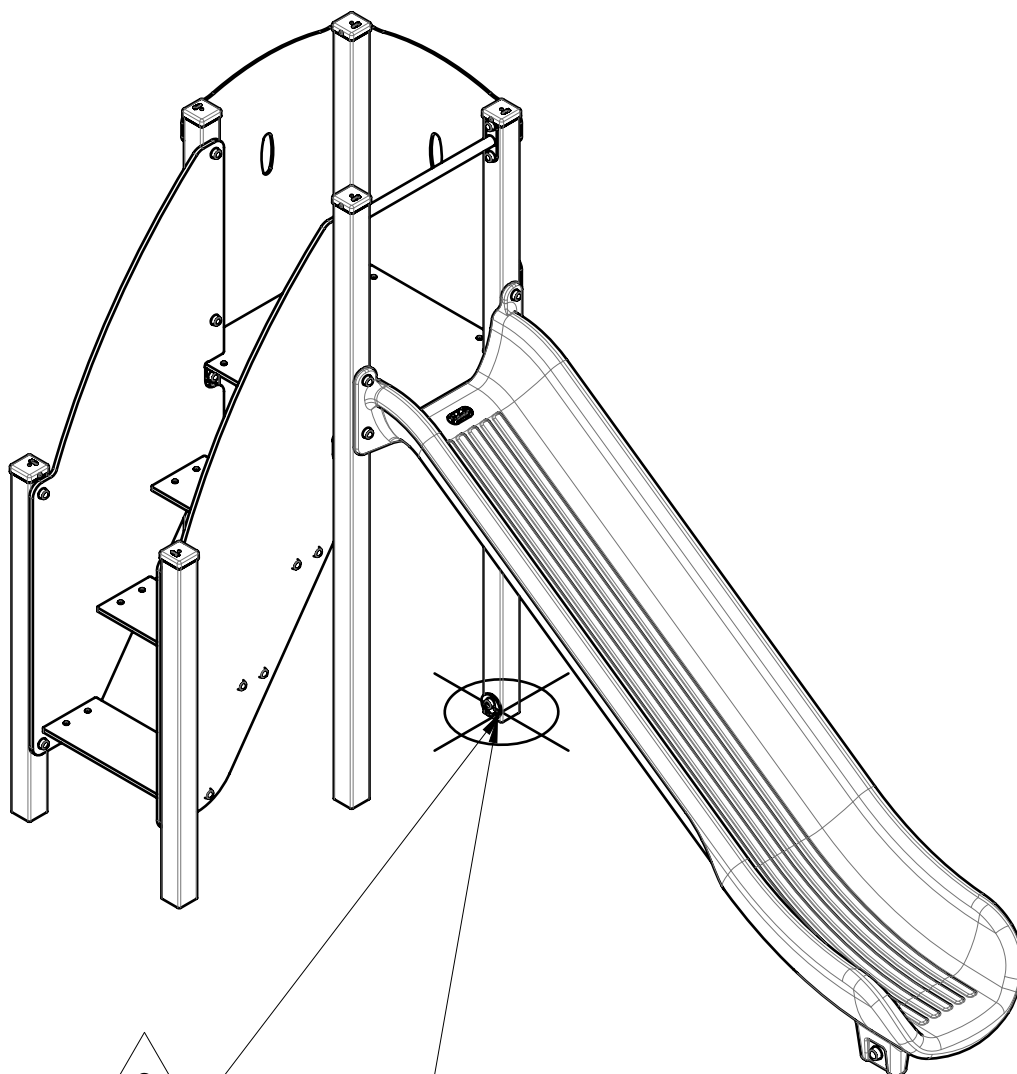


Point de référence
Setting out point
Punto de referencia
Bezugspunkt
Referentiepunt

- - - Espace libre
Free space
Espacio libre
Freiraum
Vrije ruimte

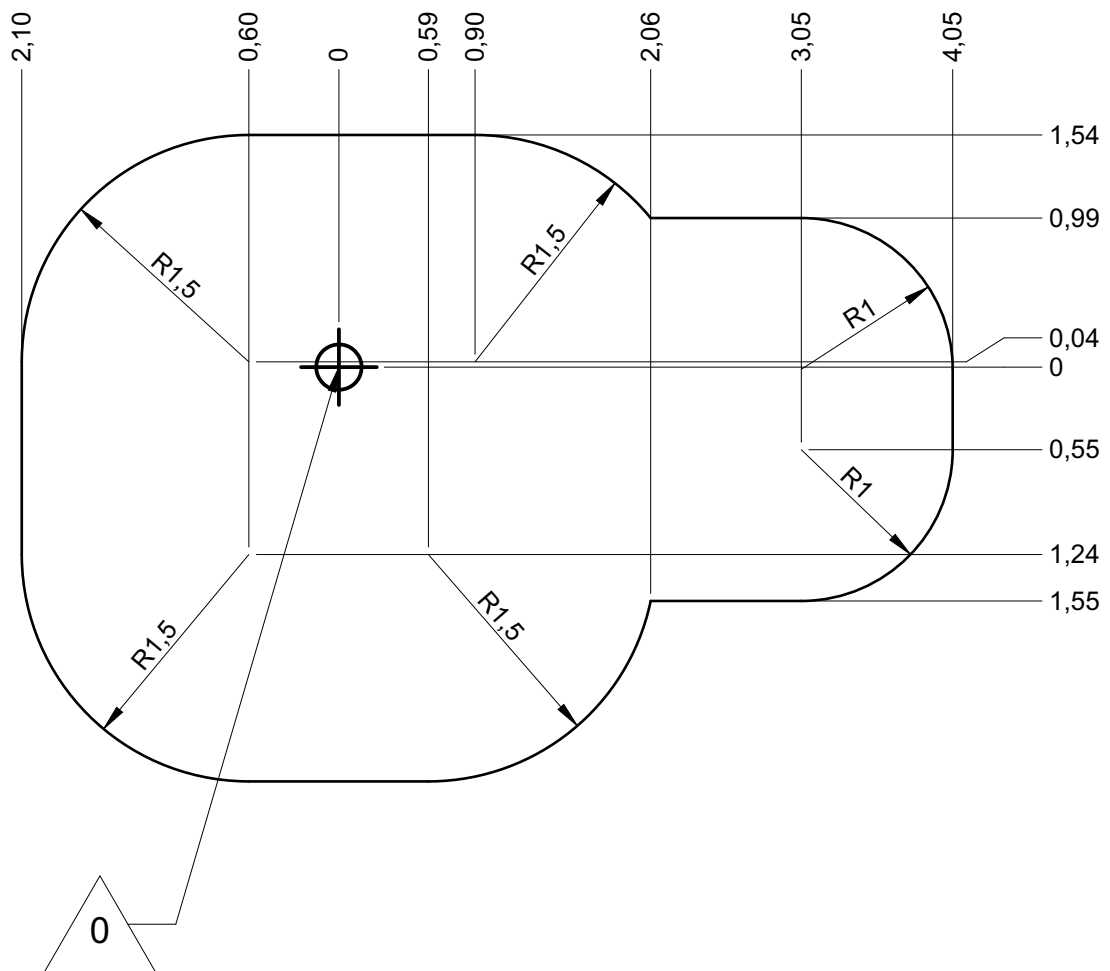
EN1176-1:2017
EN1176-3:2017





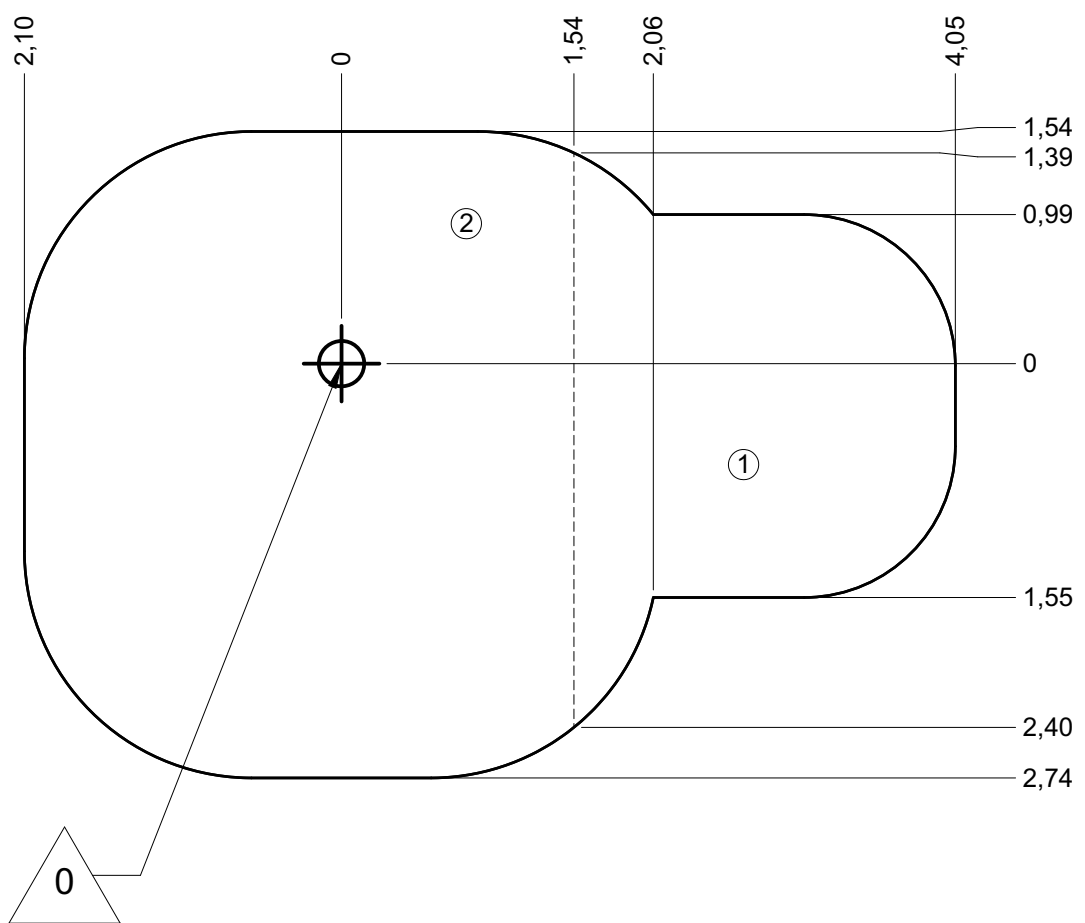
— Zone d'impact
 Impact area
 Area de impacto
 Fallraum
 Valzone

21 m²



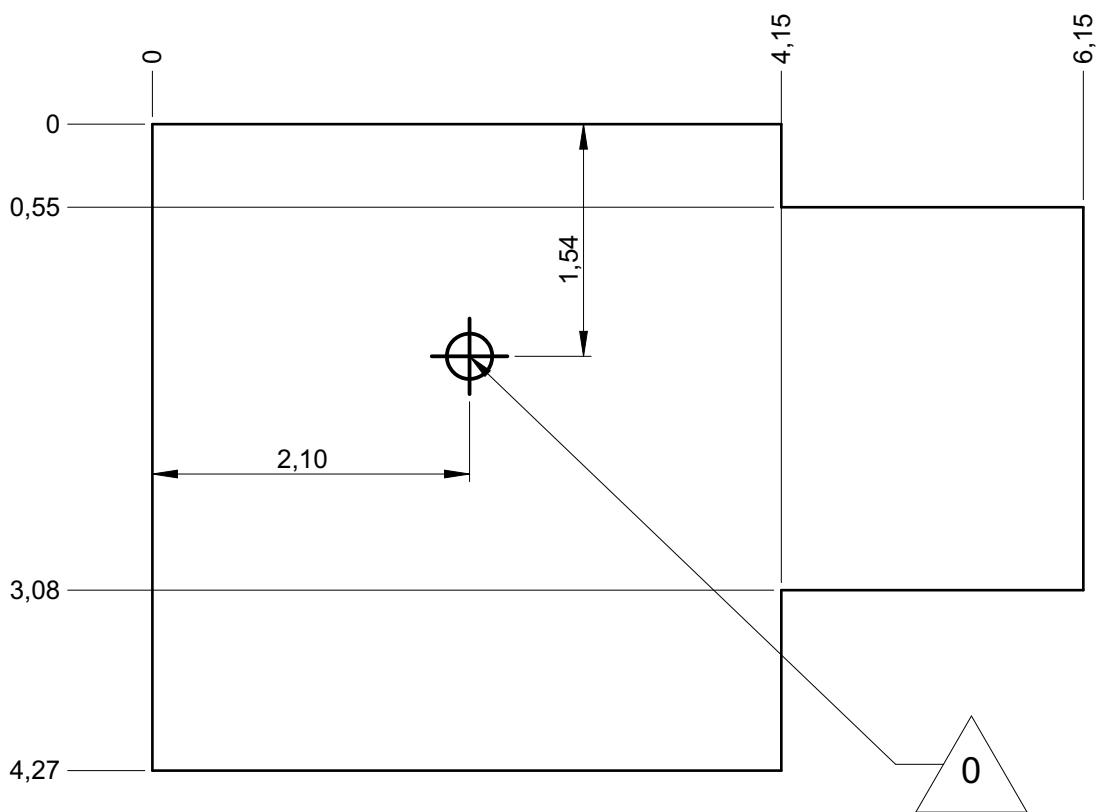
— Sol souple
 Wetpour
 Caucho continuo
 Synthetischer Fallschutz
 Gietvloer

21 m²

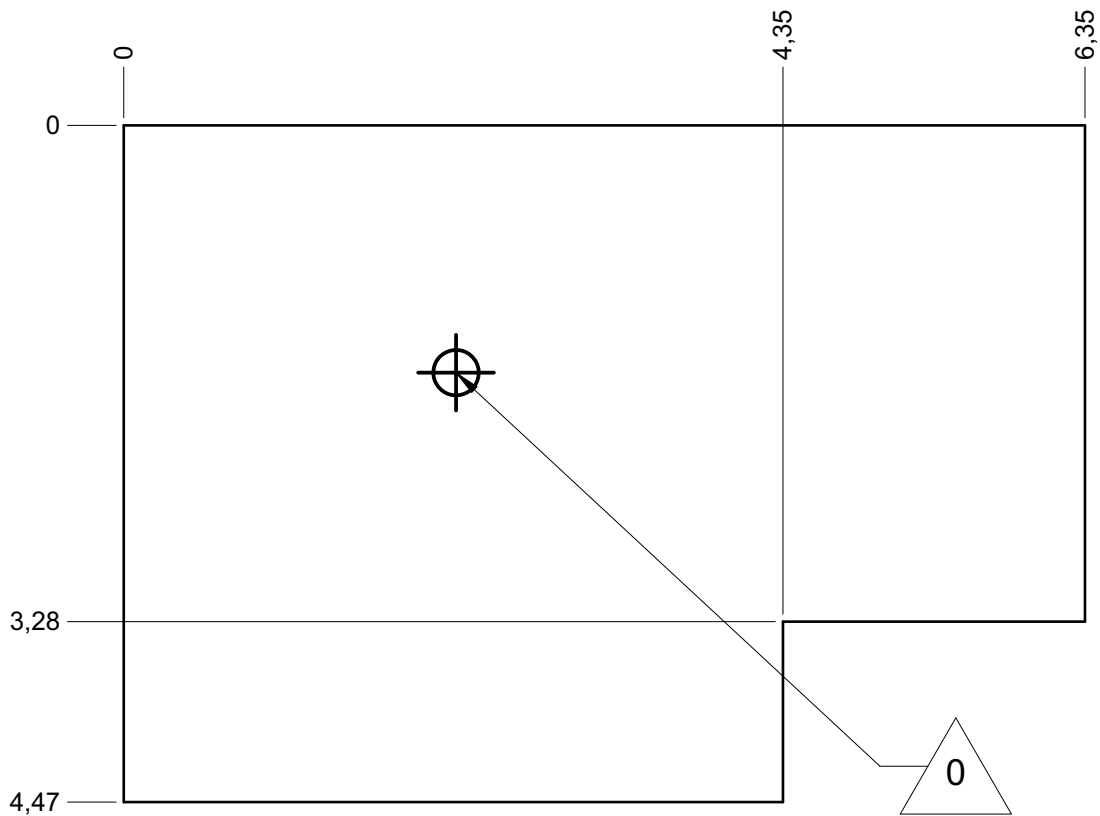


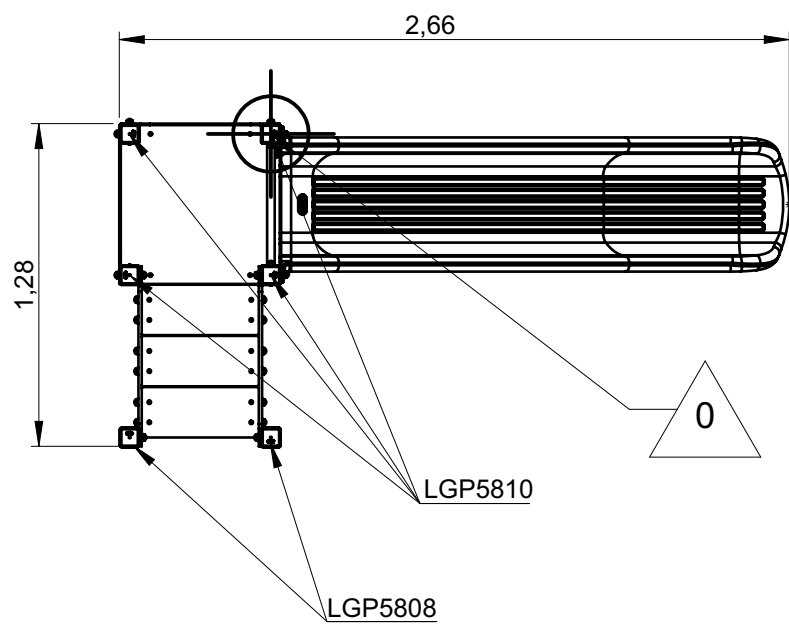
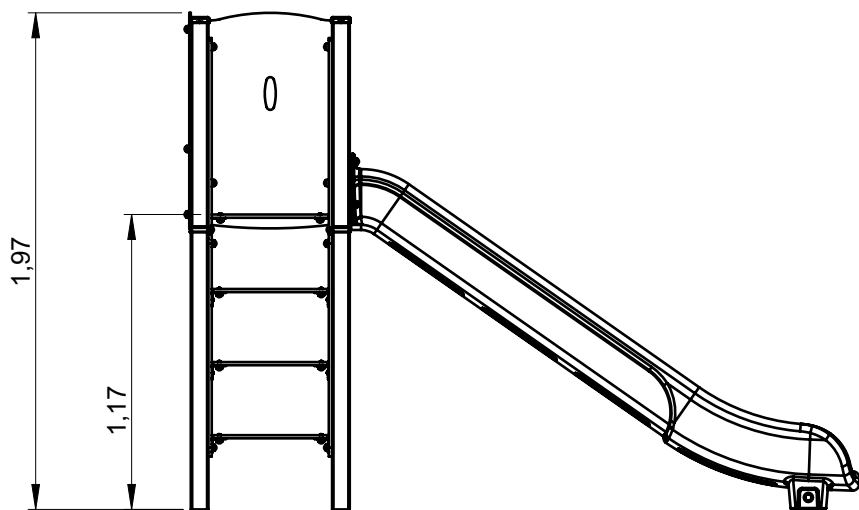
— Dalle béton
 Concrete pad
 Solera de hormigon
 Beton Bodenplatte
 Betonnen bodemplaat

21 m
 23 m²



— Sol fluent
Loos partucule material 23 m
Arenero
Loses Bodenmaterial 27 m²
Los bodemateriaal

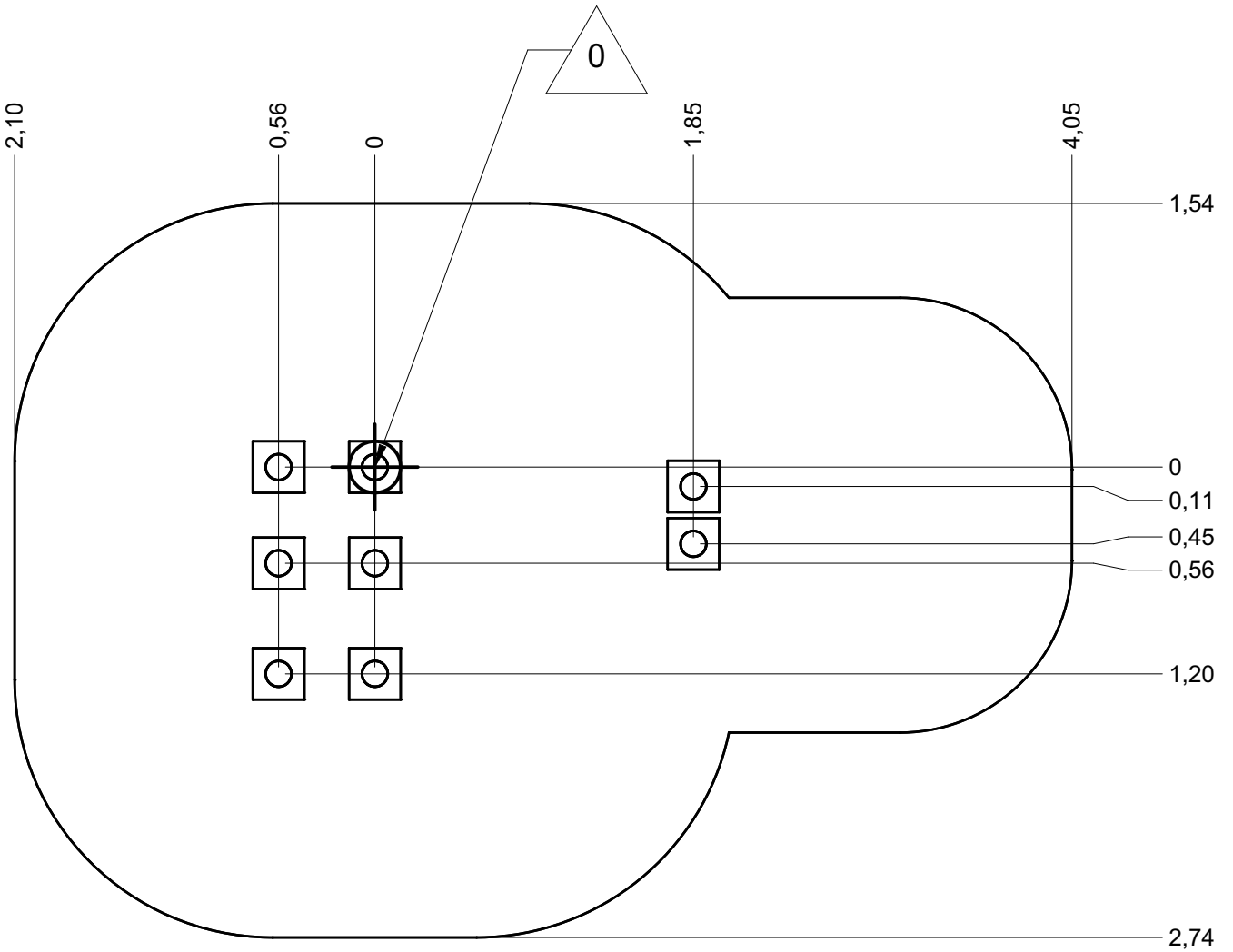




J5820A

Proludic

Implantation
 Footing plan
 Implantación
 Fundamentplan
 Funderingstekening



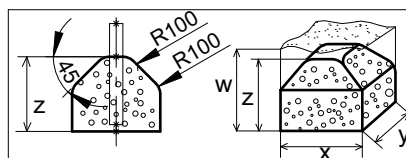
x2



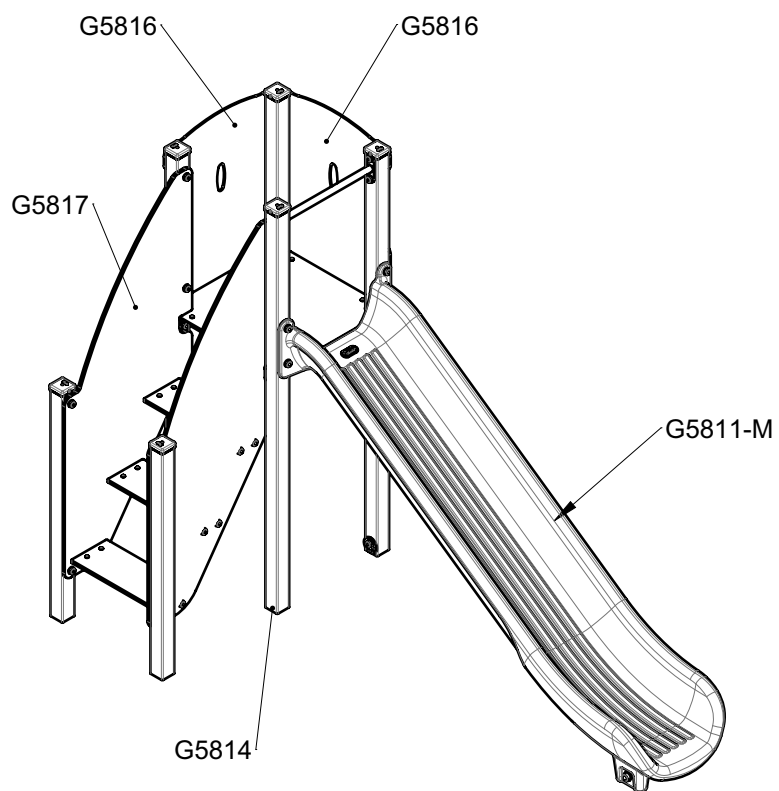
4H



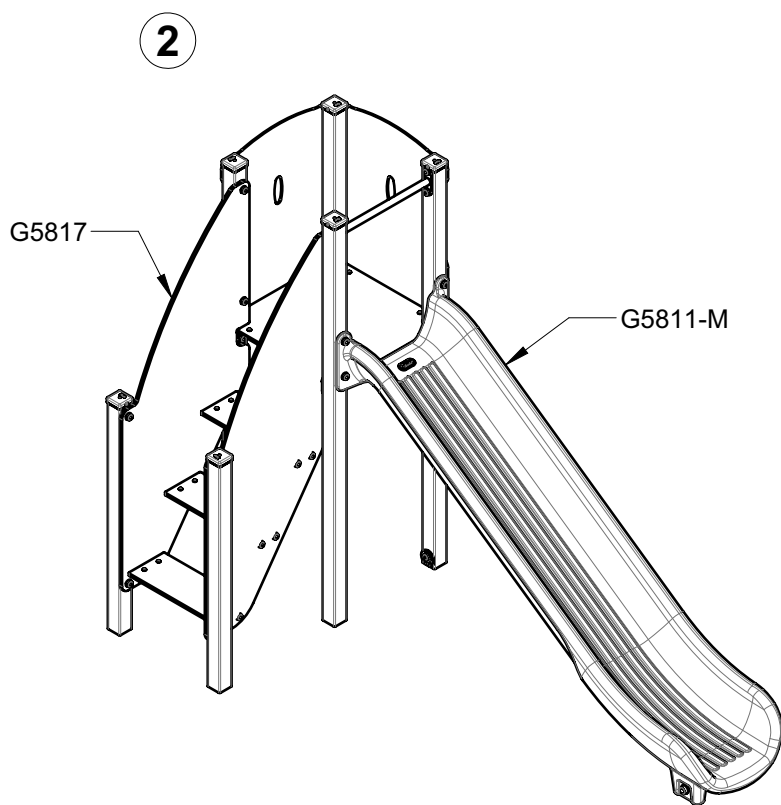
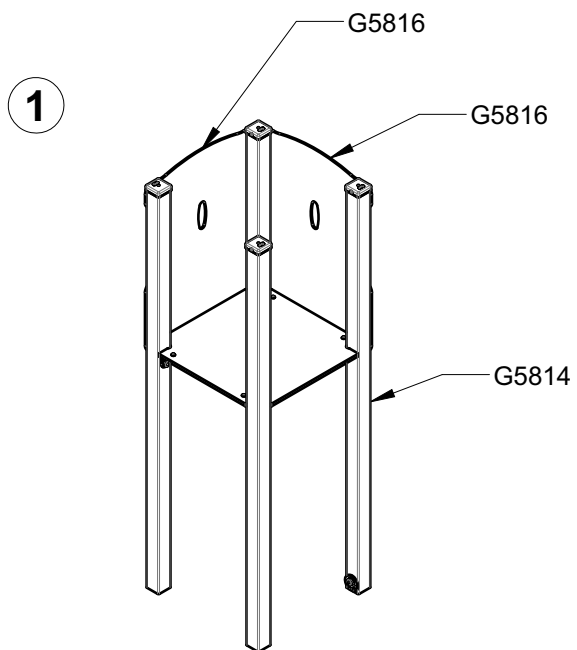
0.3 m³

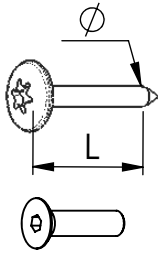


	x	y	z	w
	0.3	0.3	0.3	0.6
	0.4	0.4	0.3	0.6
	0.6	0.3	0.3	0.6



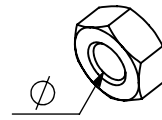
Réf	Qté
G5811-M	1
G5814A	1
G5816	2
G5817A	1
M8310N	1
M8440N	1
MI0002	1
VTH6x30A	1



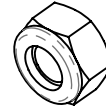


VBT 6 x 30
 \varnothing \uparrow L (mm)

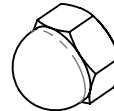
VFHC



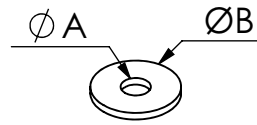
VEC M10
 \varnothing




VEF




VEB



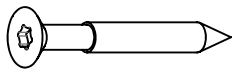
VR6x18
 $\varnothing A$ $\varnothing B$



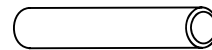
1000 - 1800 tr/min
 Vitesse de rotation
 Rotation speed



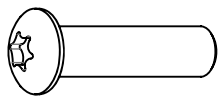
14 N.m
 Couple de rupture
 Torque of break



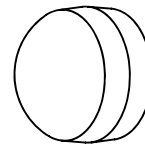
VWT



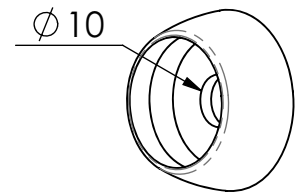
VGC



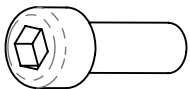
VCBHC



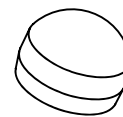
M10 440N



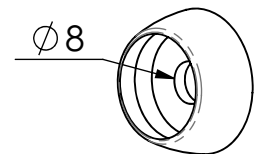
M10 310 N



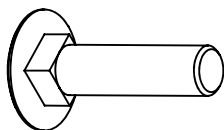
VBTR



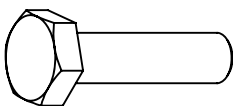
M8440N



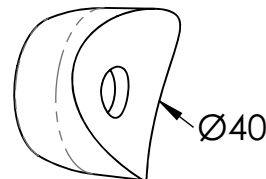
M8310N



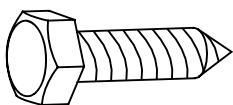
VTRCC



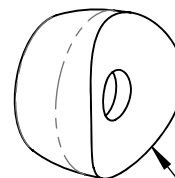
VTH



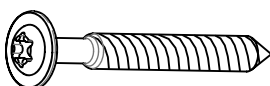
MI2503



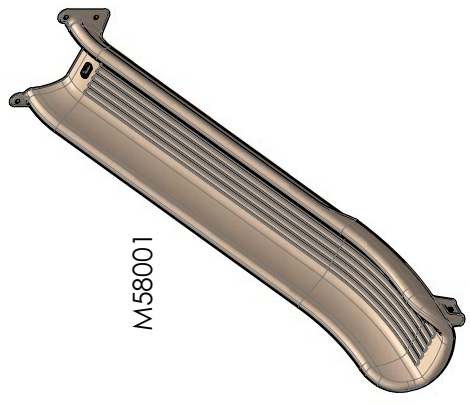
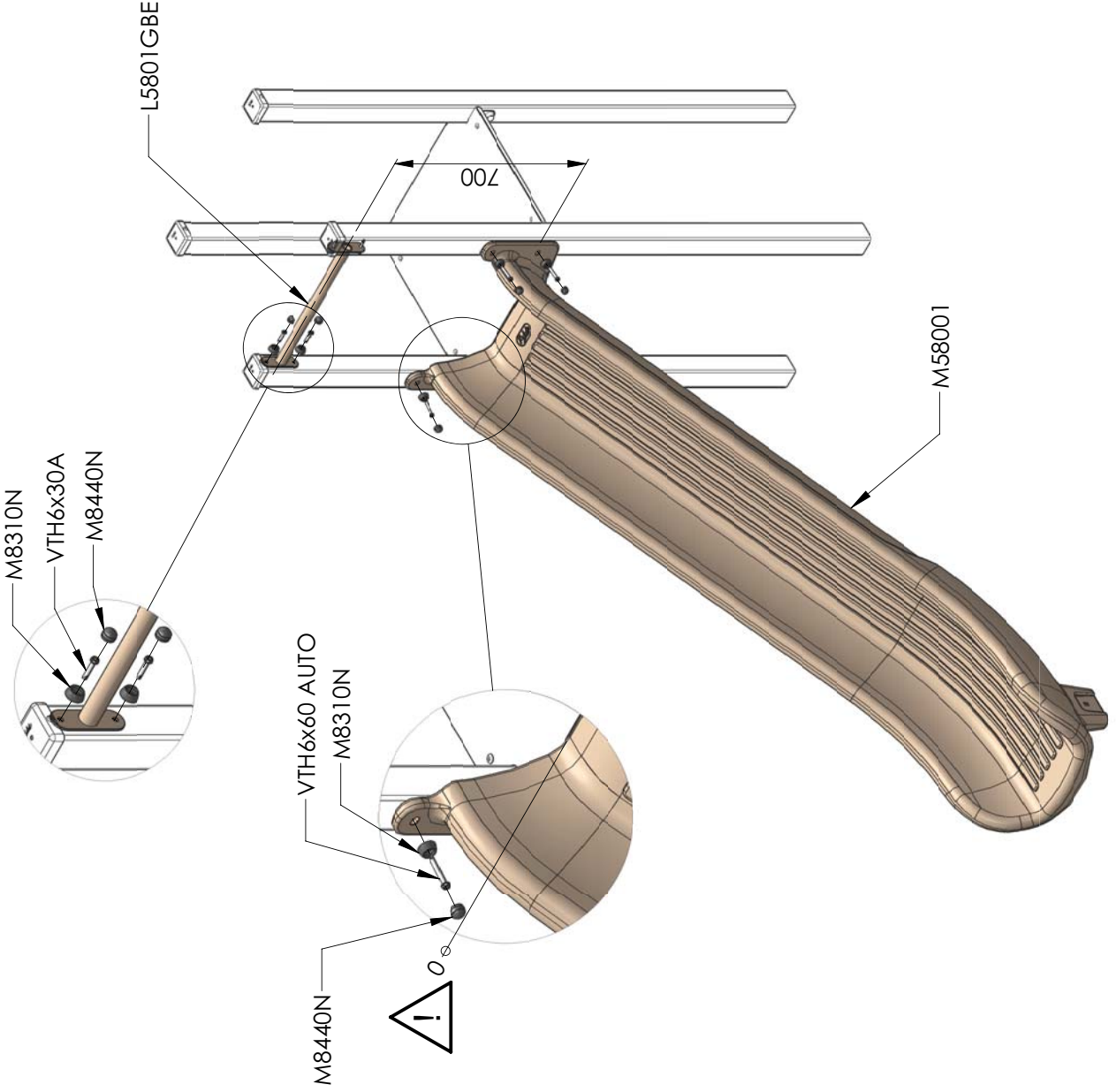
VTF



MI2701

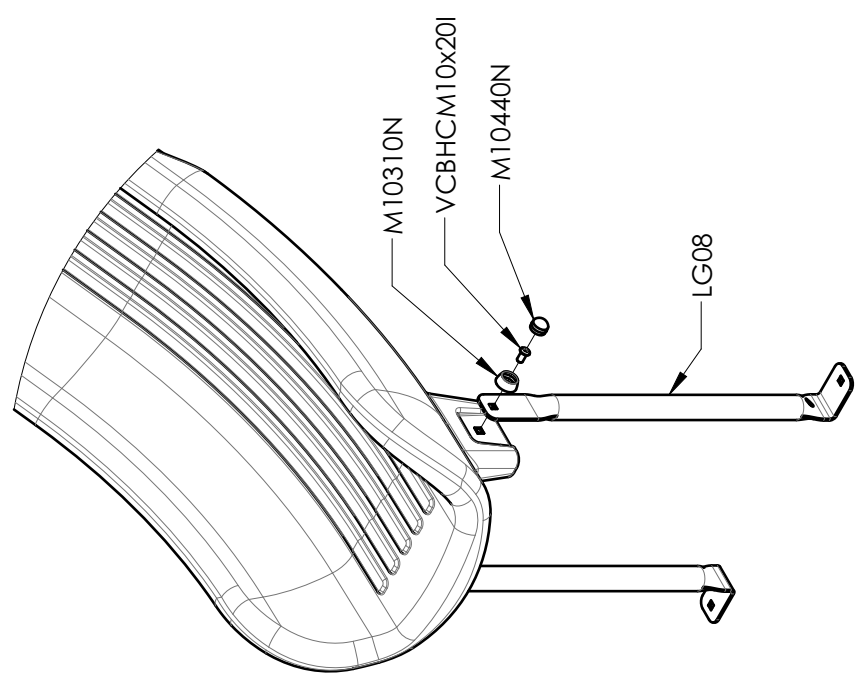
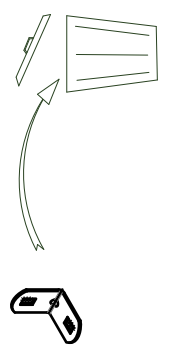


VBT

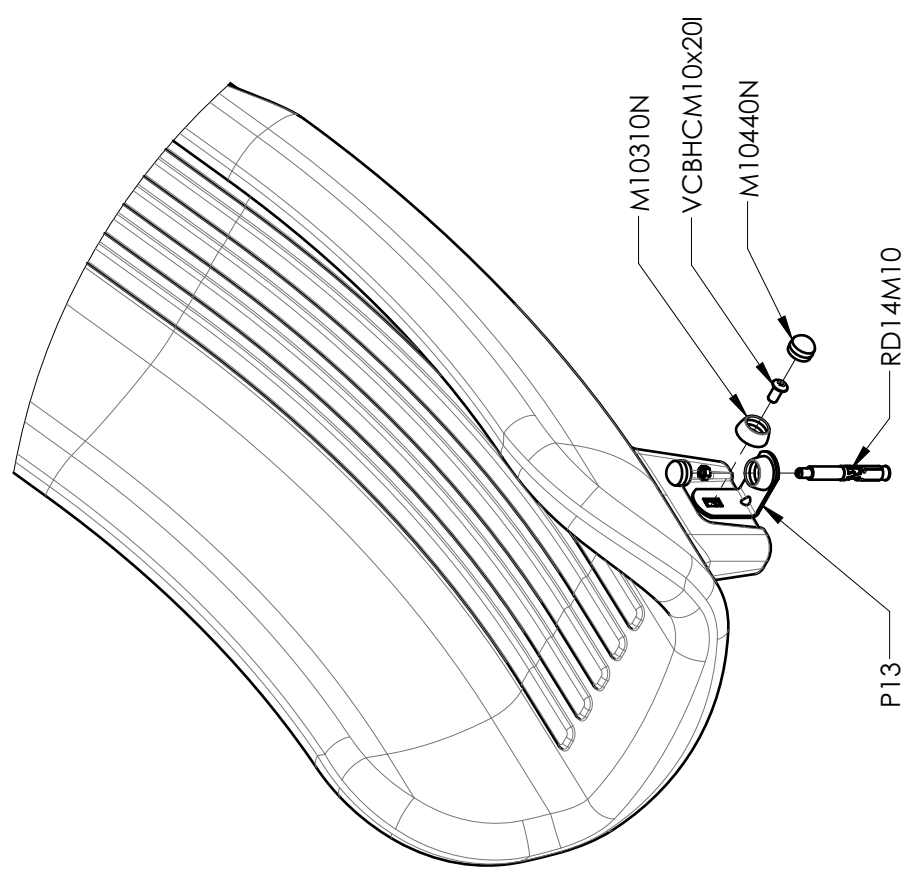
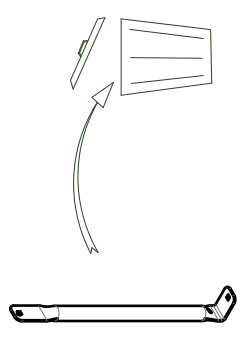


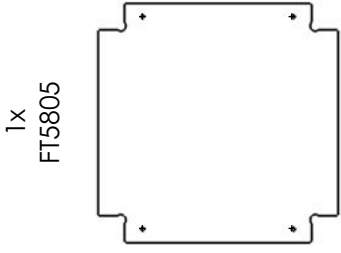
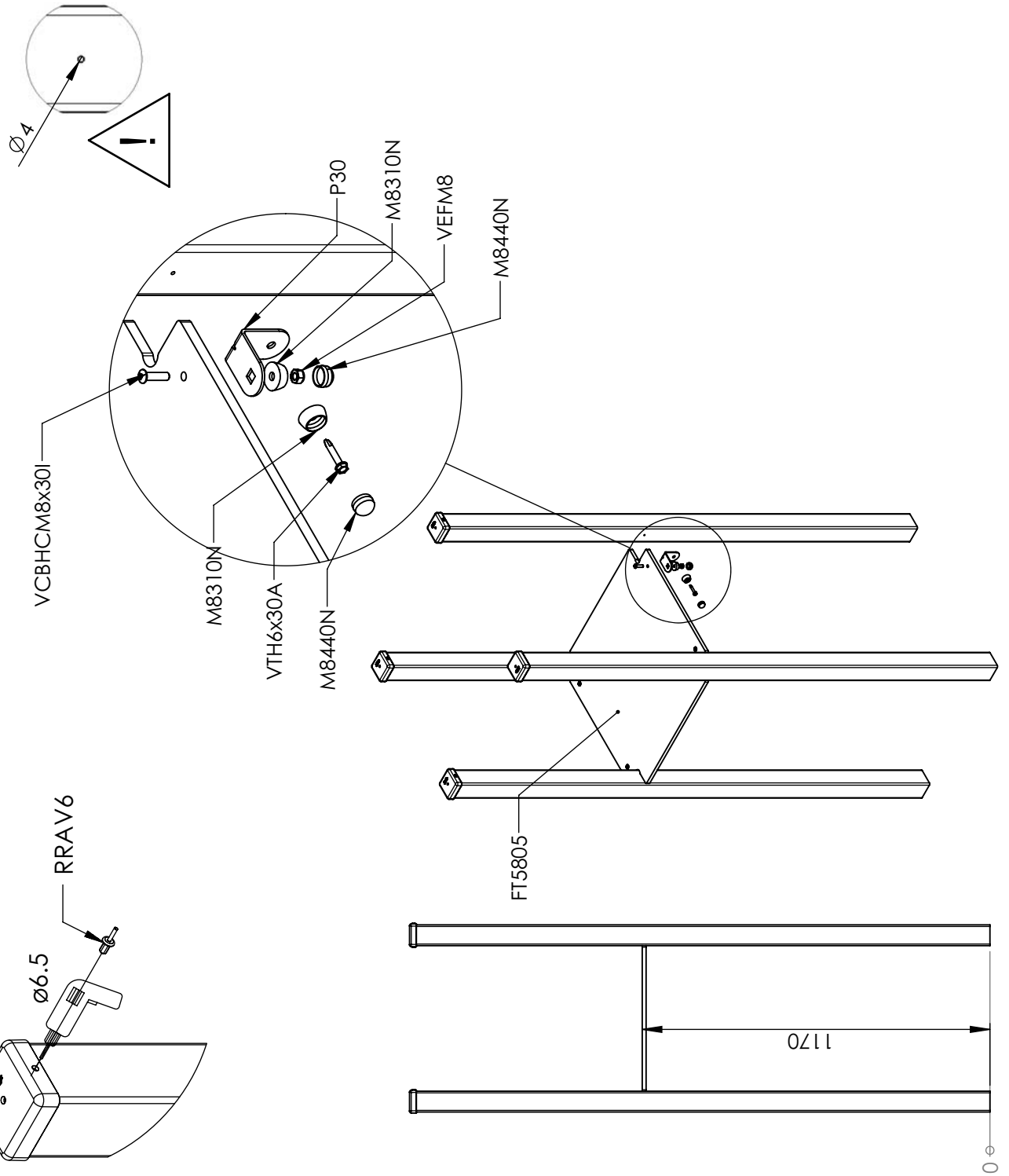
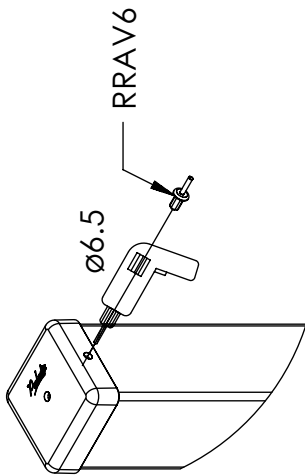
L5801GBE	1
M8310N	8
M8440N	8
M10310N	2
M10440N	2
M58001	1
VCBHC M10x20I	2
VTH6x30A	4
VTH6x60 AUTO	4

A

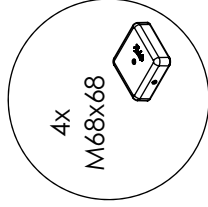


B





1x
FT5805

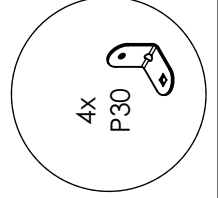


4x
M68x68



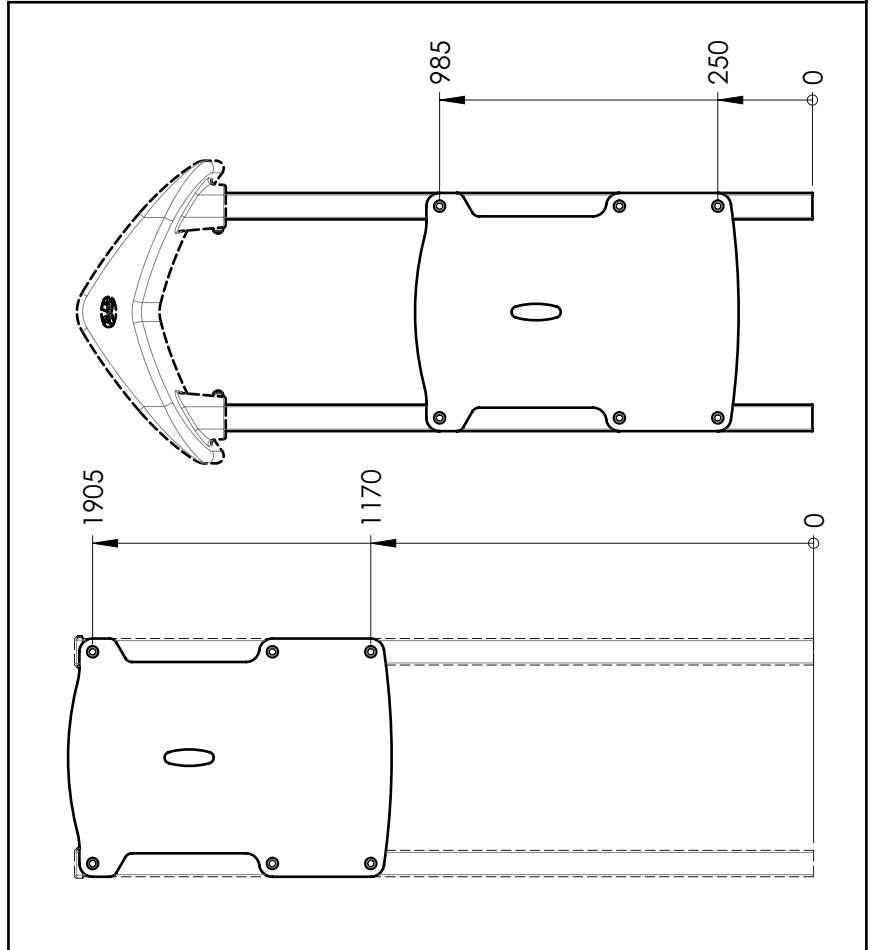
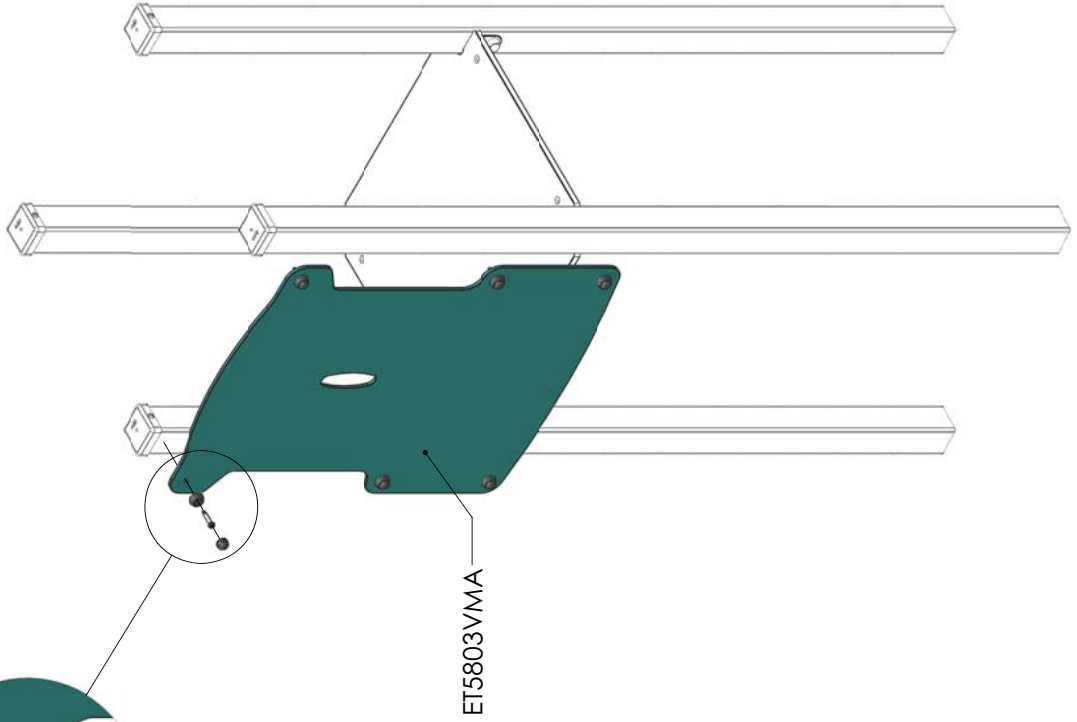
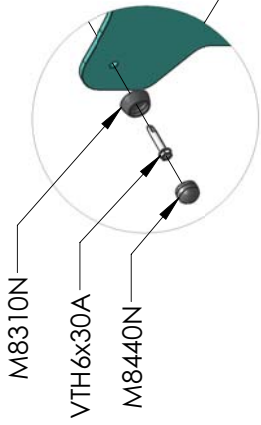
1x

LGP5810GBR

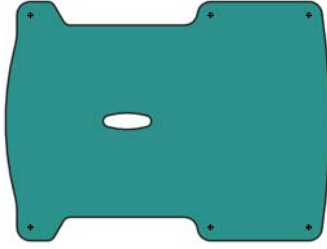


4x
P30

FT5805	1
LGP5810GBR	4
M68x68	4
M8310N	8
M8440N	8
P30	4
RRAV6	4
VCBHC8x30I	4
VEFM8	4
VTH6x30A	4

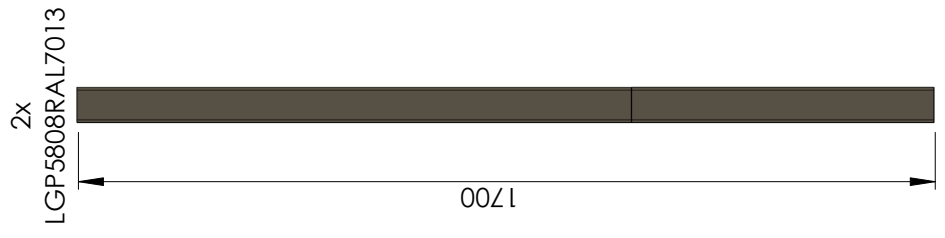
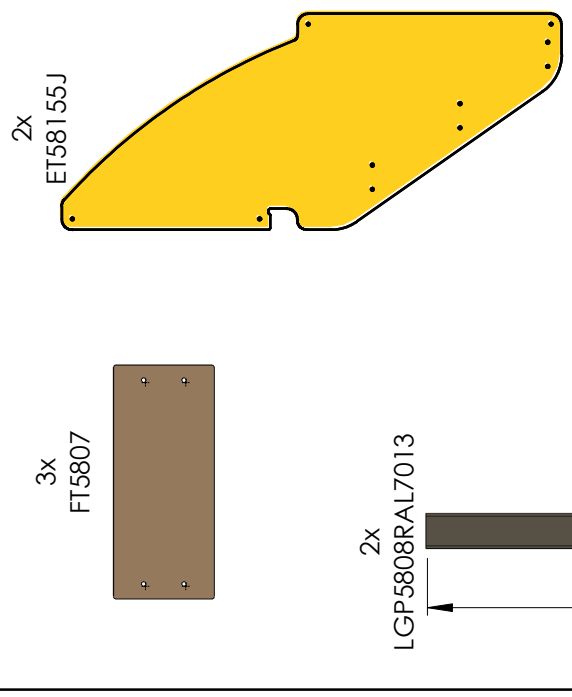
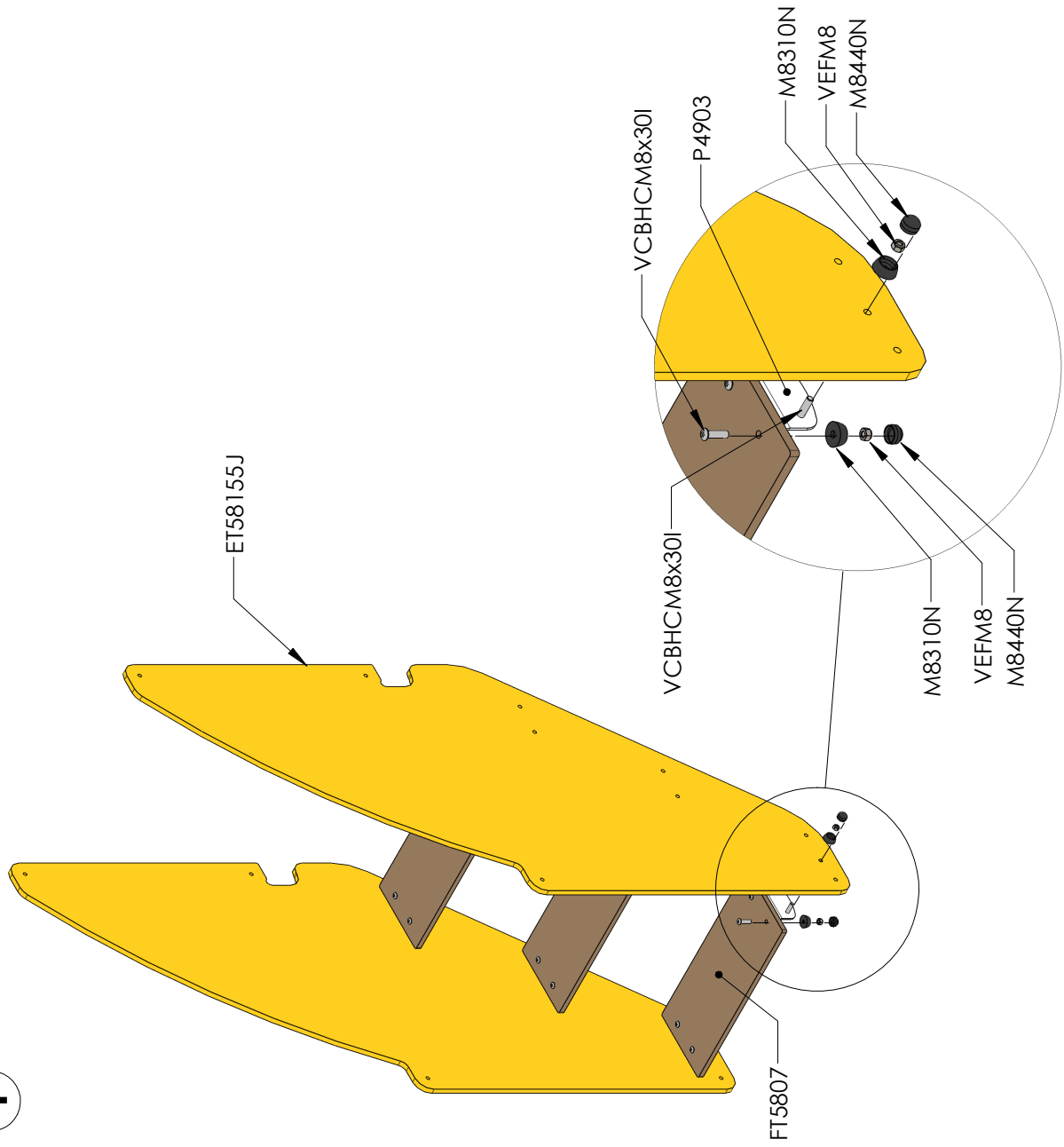


1x
ET5803VMA



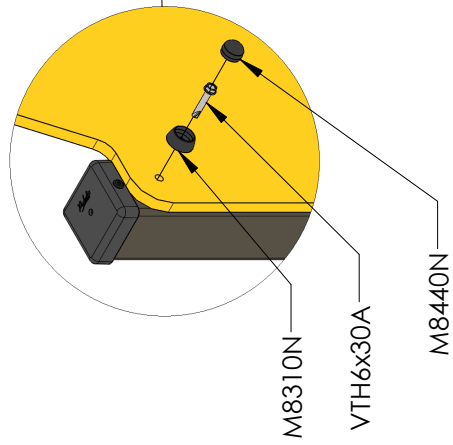
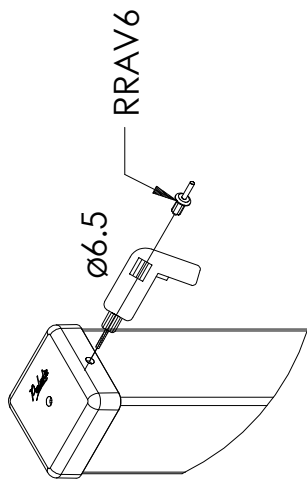
ET5803VMA	1
M8310N	6
M8440N	6
VTH6x30A	6

1



ET58155J	2
FT5807	3
LGP5808RAL7013	2
M68x68	2
M8310N	32
M8440N	32
P4903	6
RRAV6	2
VCBHCM8x30I	24
VEFM8	24
VTH6x30A	8

2



LGP5808RAL7013

