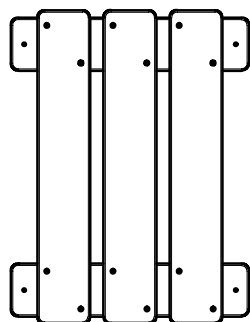


B5851
4X



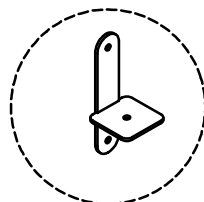
U5804
2X



F5854
1X



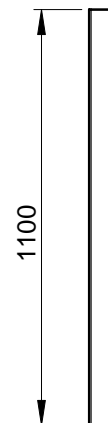
F5853
1X



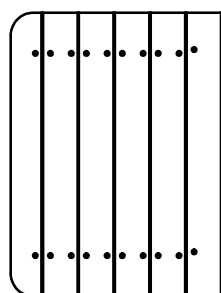
L5803
4X



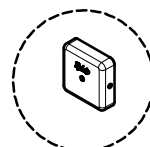
P30
6X



B5802
1X



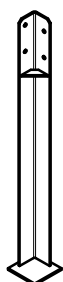
U5805
2X



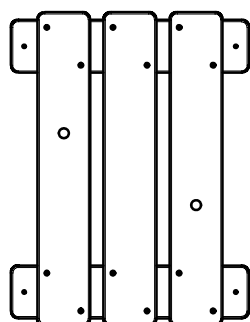
M68x68
1X



ET5852PL
2X



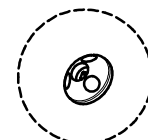
LG5800
5X



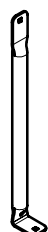
U58100
1X



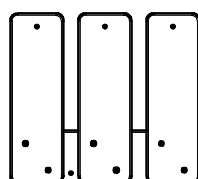
ET5861RC
2X



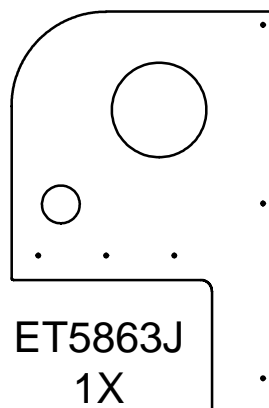
MI323J
2X



LG08
1X



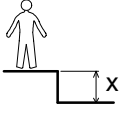
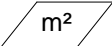
U58101
1X



ET5863J
1X

| Réf | Qté |
|-------------|-----|
| LA000 | 1 |
| M8310N | 22 |
| M8440N | 22 |
| M10310N | 2 |
| M10440N | 4 |
| MI0002 | 1 |
| MU3908 | 2 |
| VBT6x35 | 1 |
| VBT6x50 | 1 |
| VBT7x60 | 51 |
| VCBHCM8x30I | 8 |
| VCBHCM8x40I | 1 |
| VCBHCM8x50I | 3 |
| VCBHCM8x60I | 6 |
| VEFM8 | 18 |
| VEFM10 | 2 |
| VR10x40 | 4 |
| VTH10x80 | 2 |



| N° |  |  |
|----|---|---|
| 1 | 0.55 m | 16 m ² |

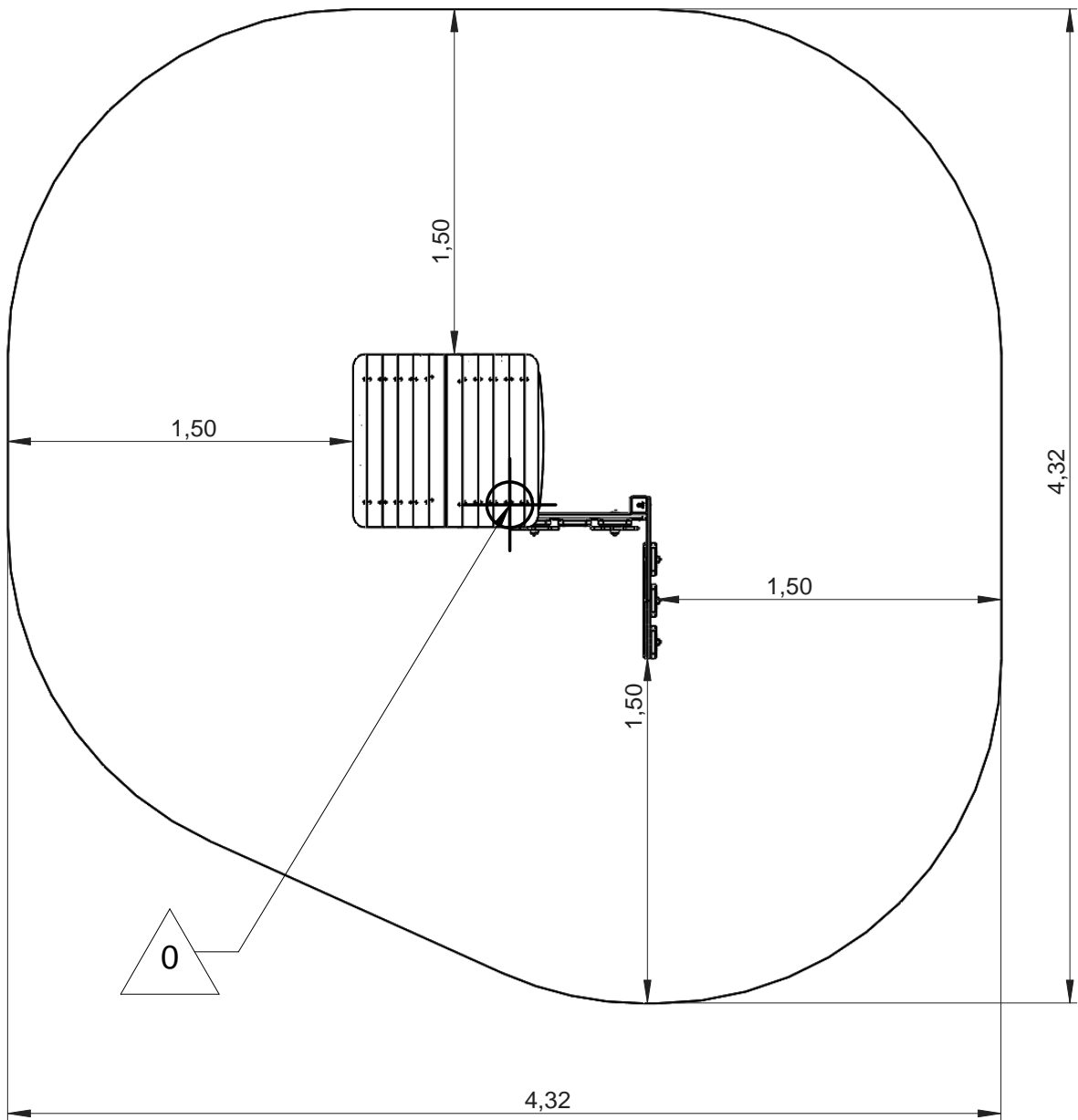
— Zone d'impact
Impact area
Area de impacto
Fallraum
Valzone

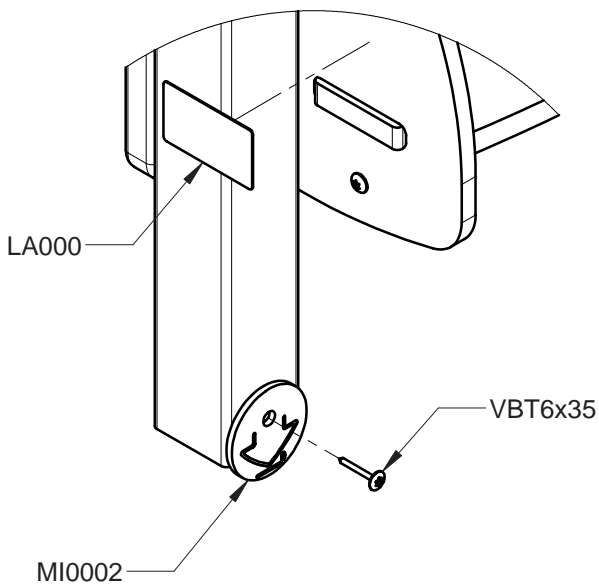
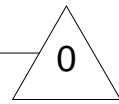
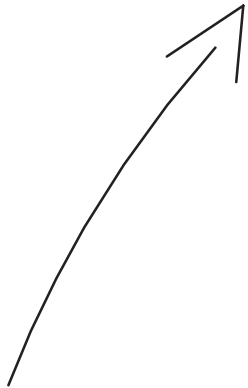
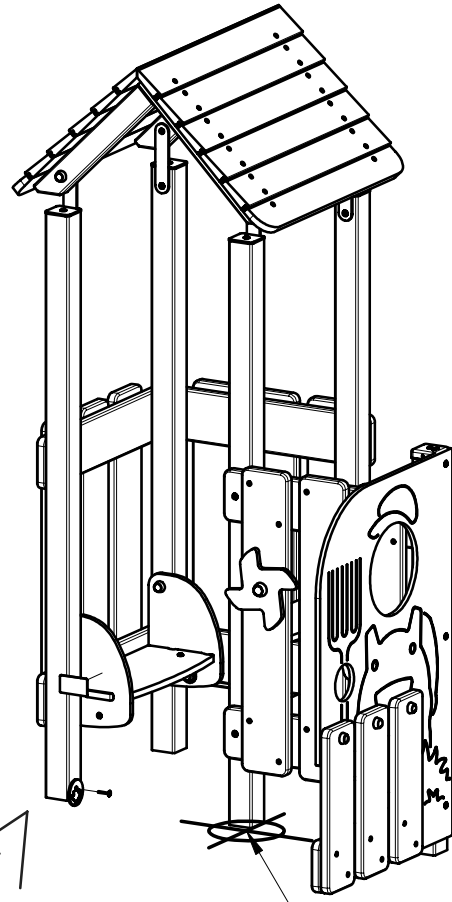


Point de référence
Setting out point
Punto de referencia
Bezugspunkt
Referentiepunt

- - - Espace libre
Free space
Espacio libre
Freiraum
Vrije ruimte

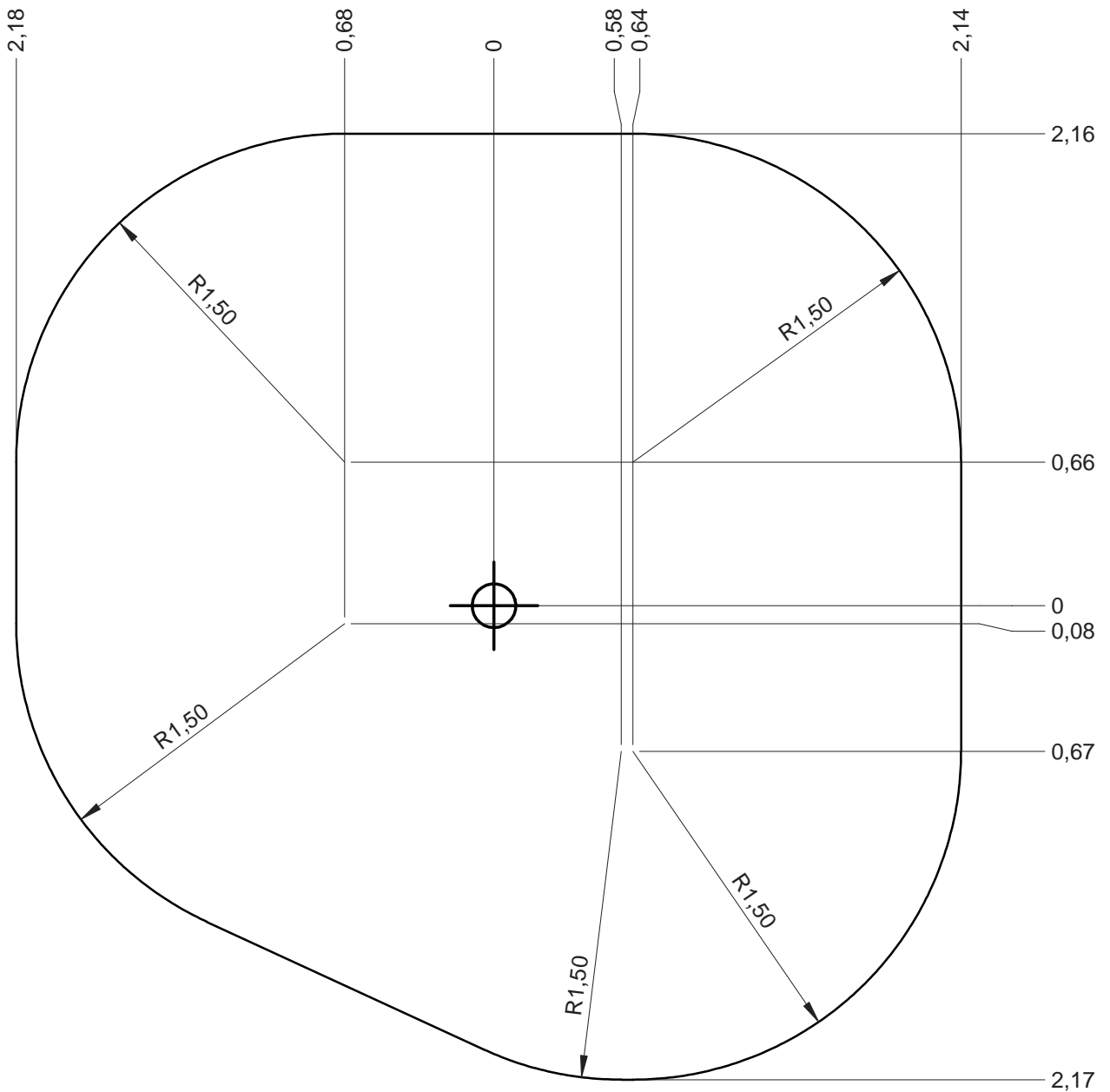
EN1176-1:2017





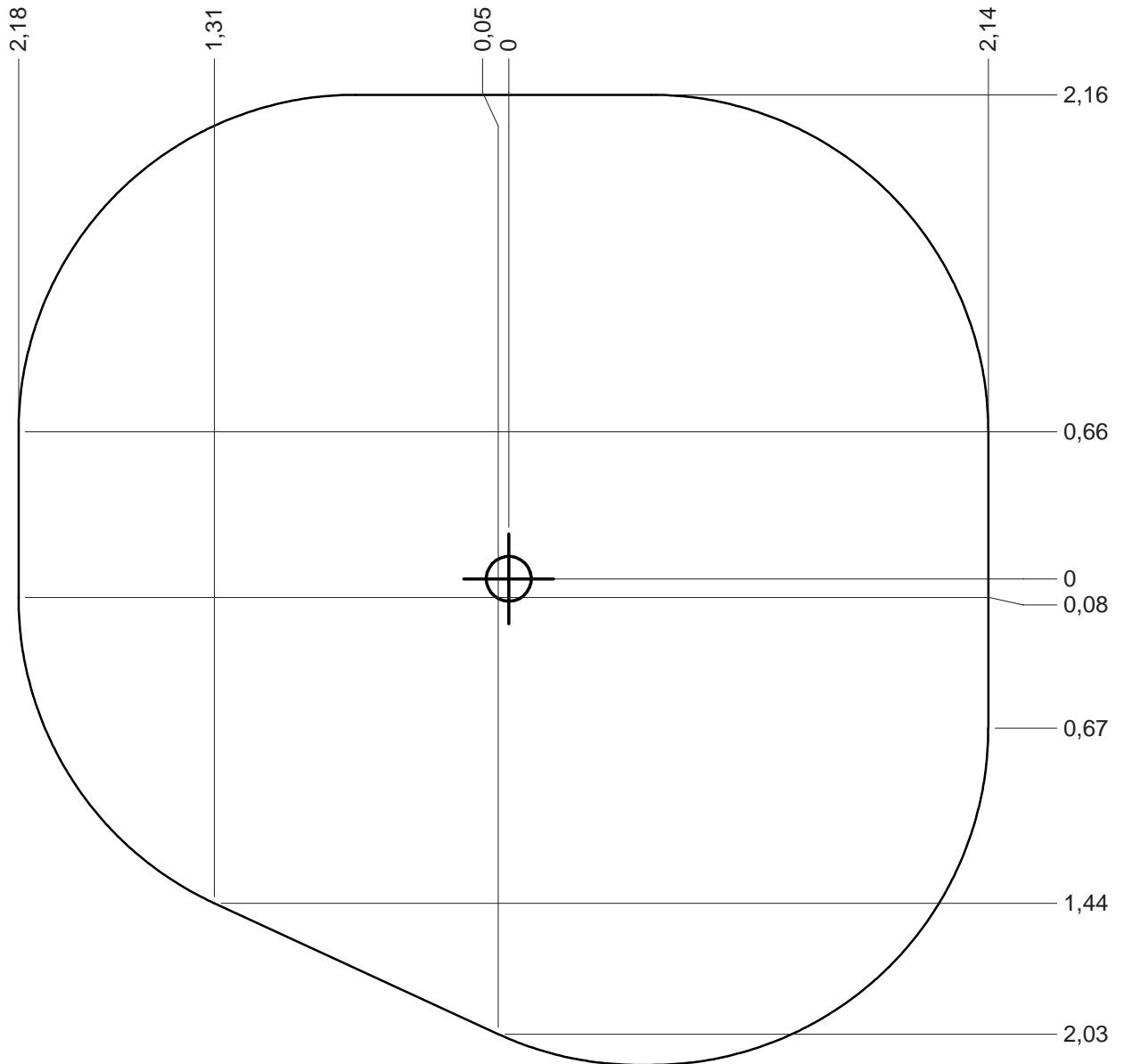
— Zone d'impact
 Impact area
 Area de impacto
 Fallraum
 Valzone

16 m²



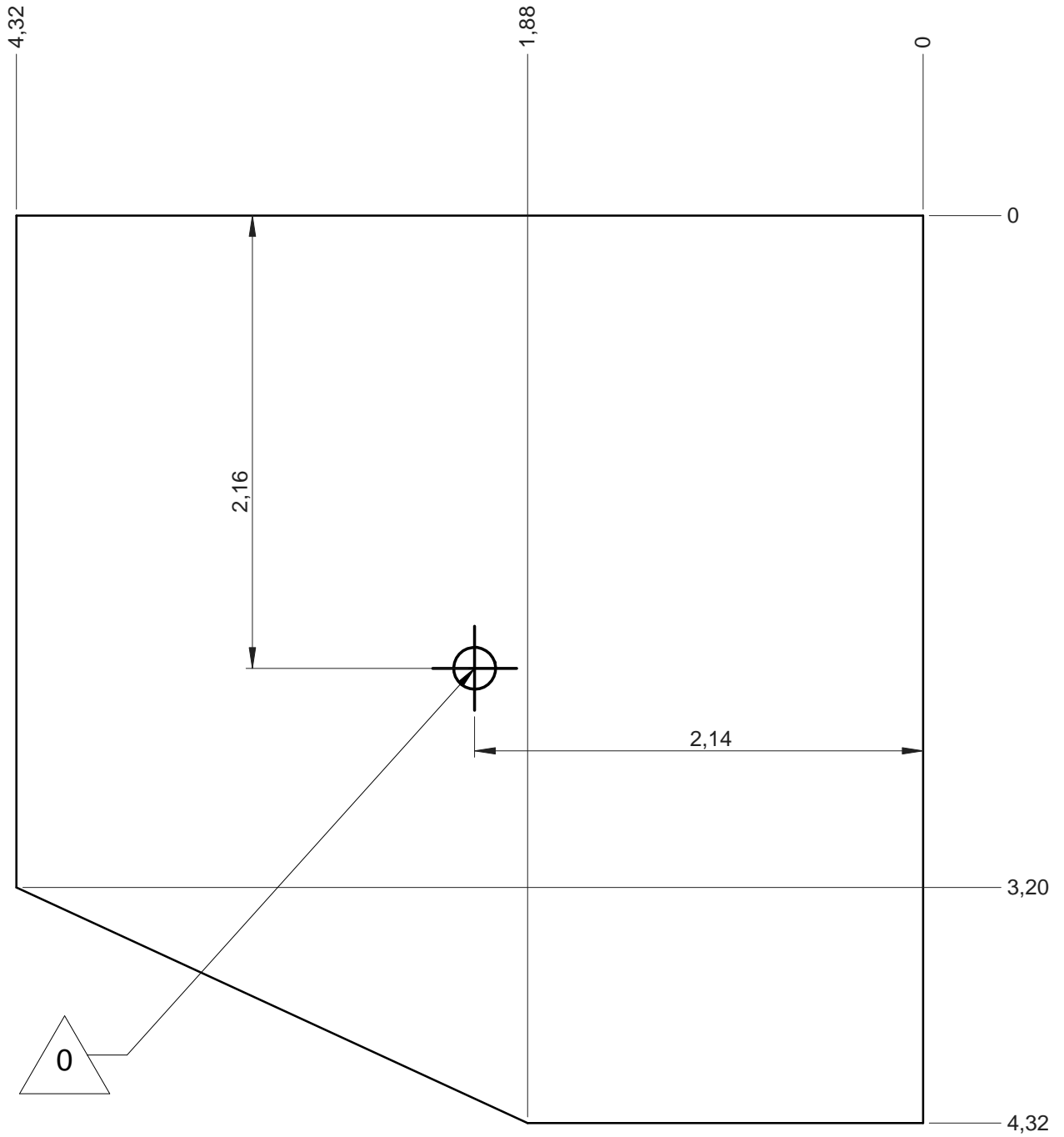
— Sol souple
Wetpour
Caucho continuo
Synthetischer fallschutz
Gietvloer

16 m²

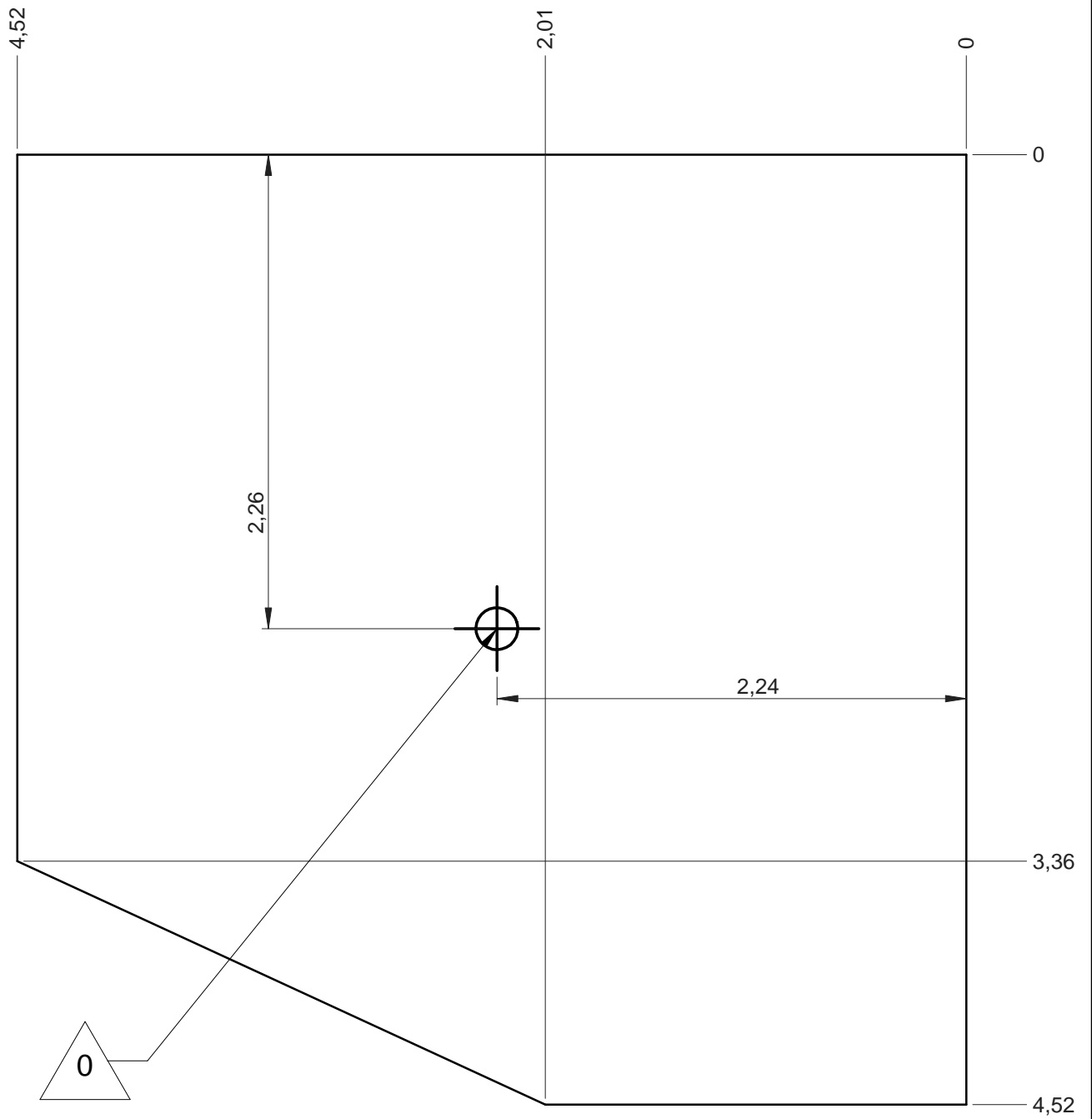


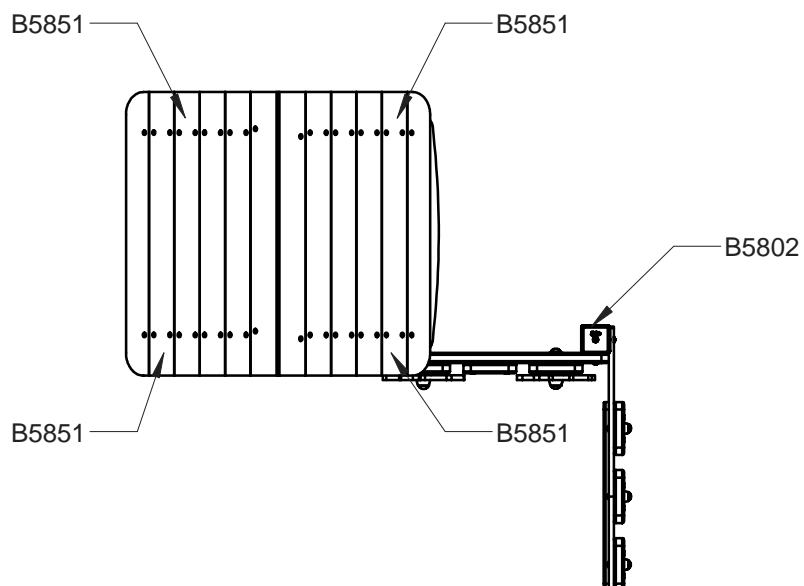
— Dalle béton
Concrete pad
Solera de hormigon
Beton bodenplatte
Betonnen bodemplaat

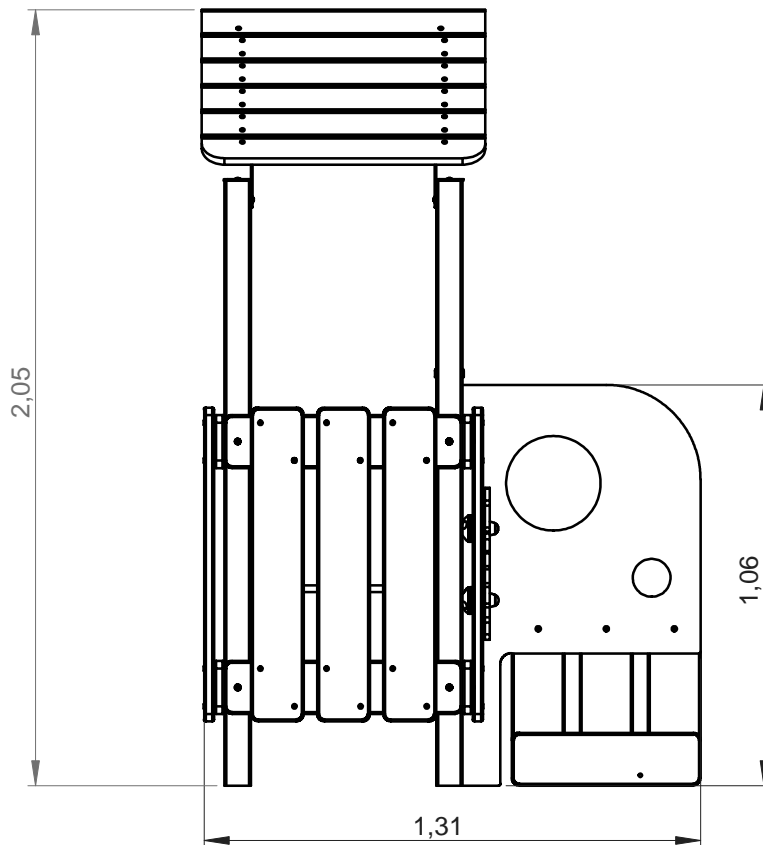
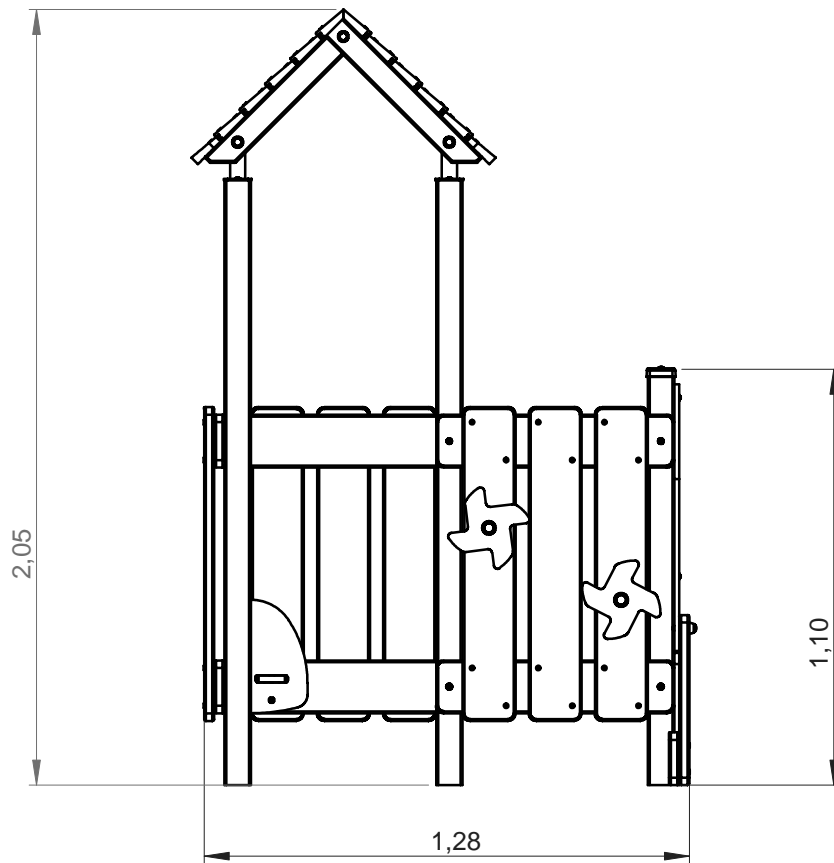
17 m
17.5 m²



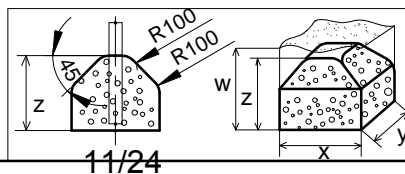
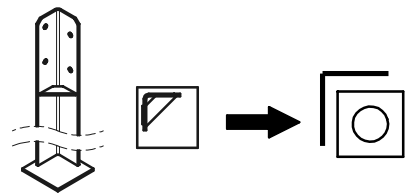
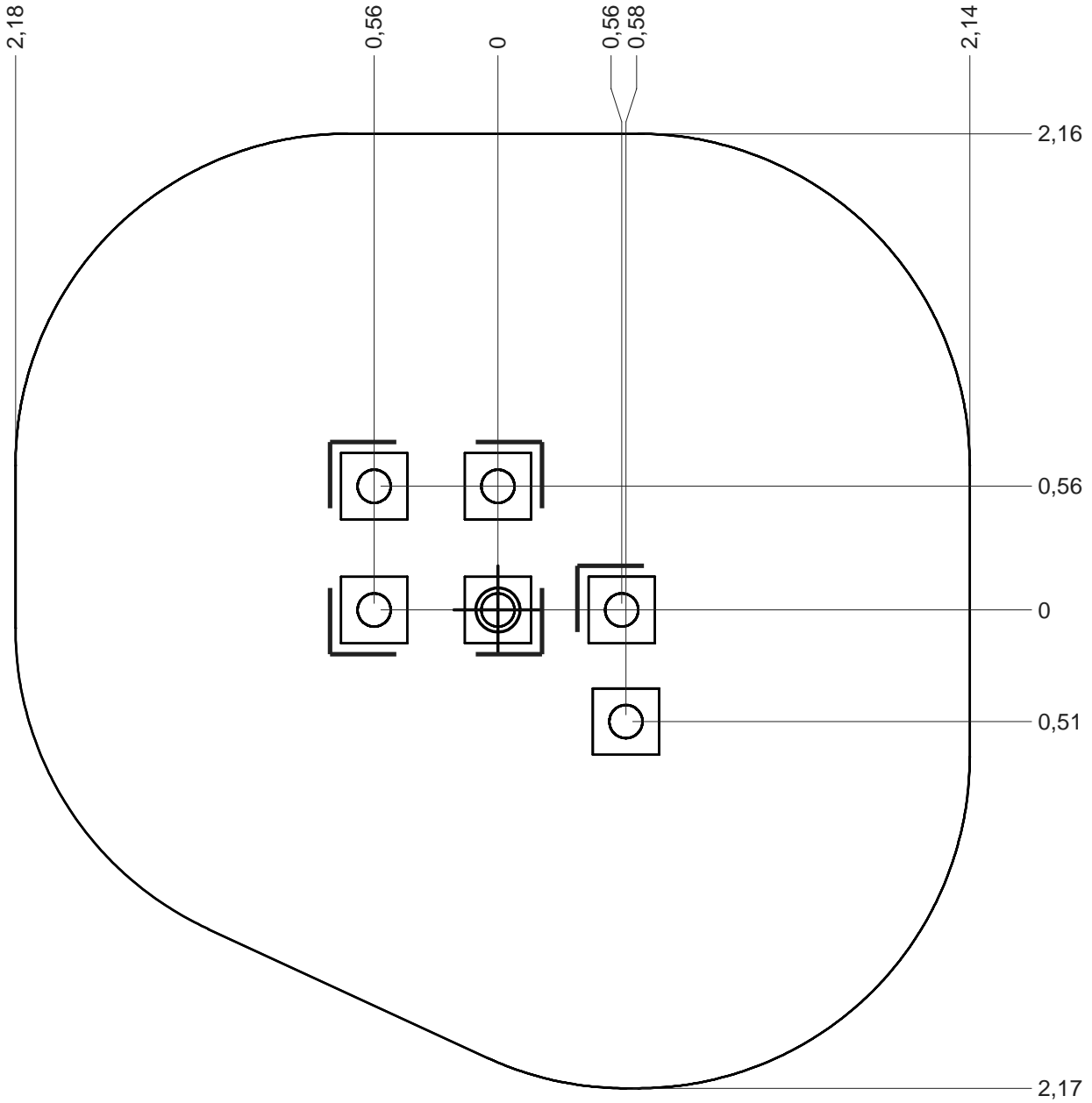
— Sol fluent
 Loos partucule material **18 m**
 Arenero
 Loses Bodenmaterial **19 m²**
 Los bodemmaterial







Implantation
 Footing plan
 Implantación
 Fundamentplan
 Funderingstekening



| | x | y | z | w |
|--|-----|-----|-----|-----|
| | 0.3 | 0.3 | 0.3 | 0.6 |
| | 0.4 | 0.4 | 0.3 | 0.6 |
| | 0.6 | 0.3 | 0.3 | 0.6 |



x2

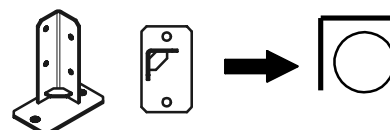
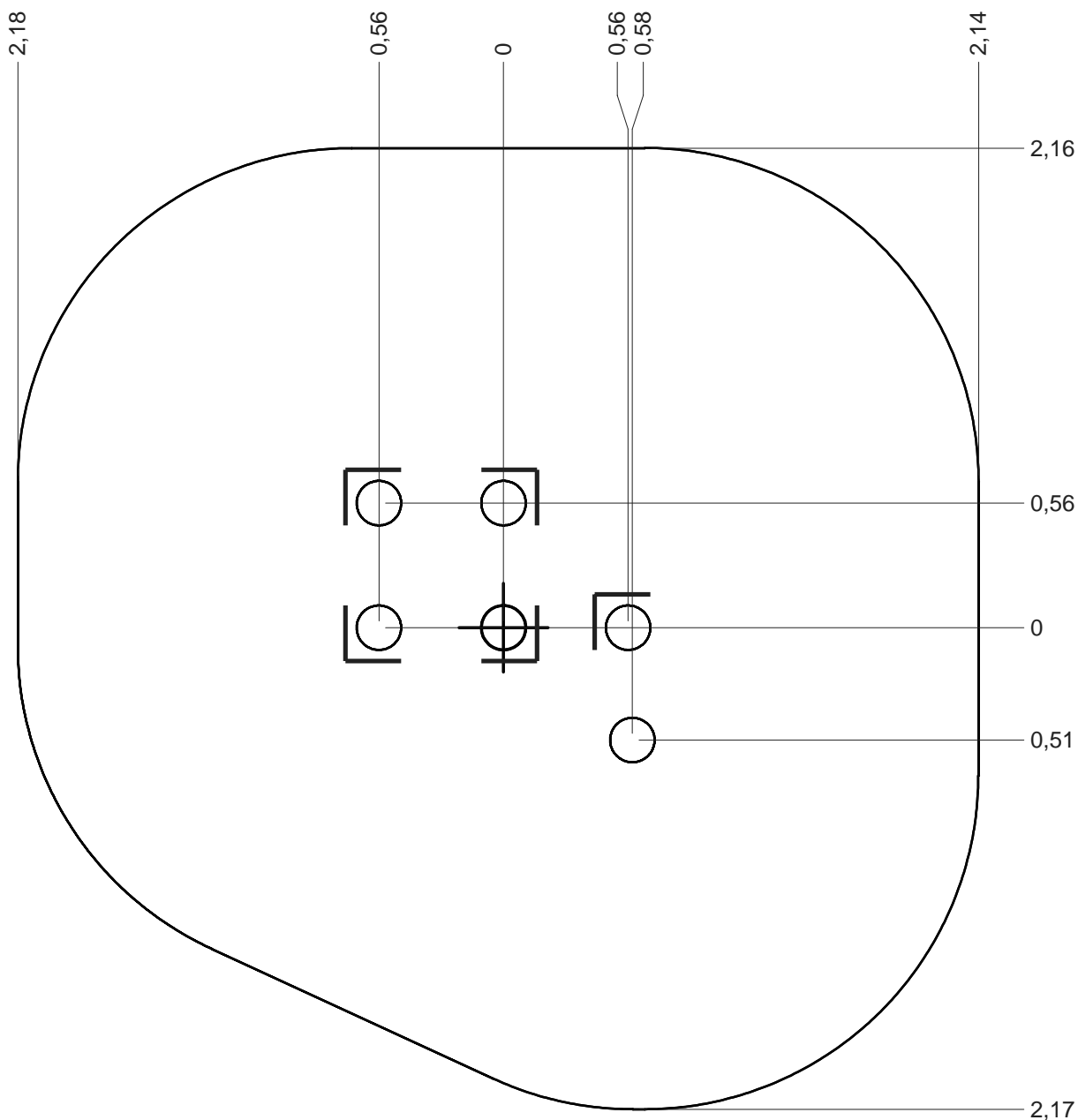


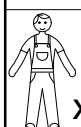


3H



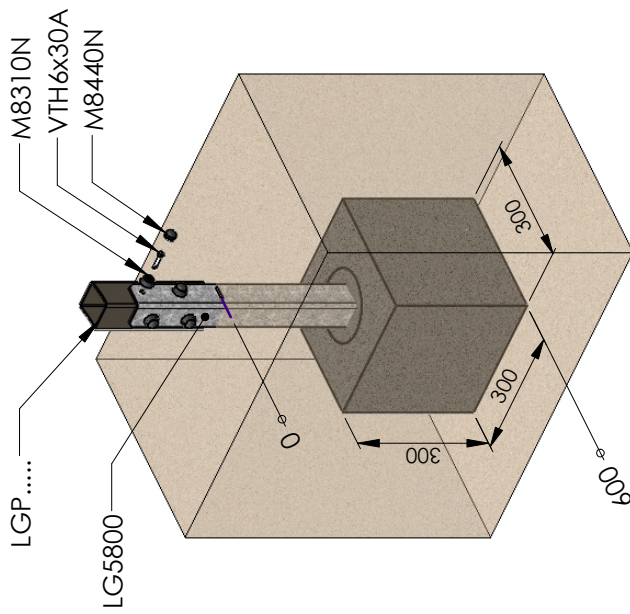
0.15 m³

Implantation
 Footing plan
 Implantación
 Fundomentplan
 Funderingstekening

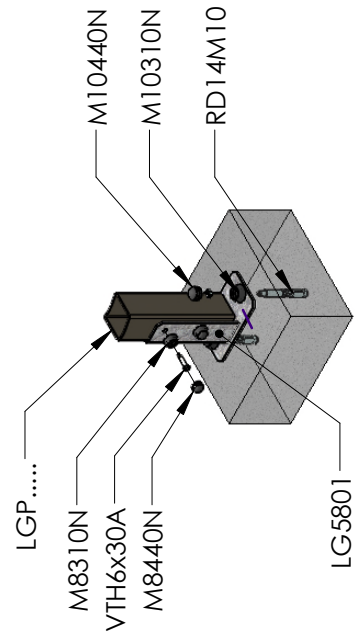


| | | |
|--|---|--|
|  <p>x2</p> |  <p>3H</p> |  <p>RD14M10</p> |
|--|---|--|

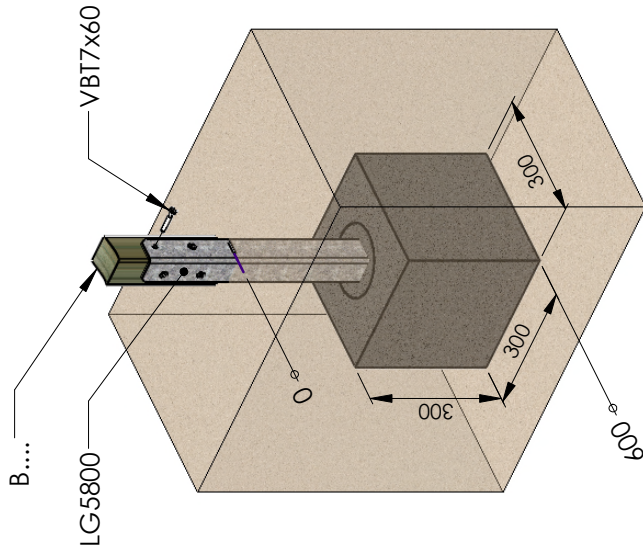
LGP.... A



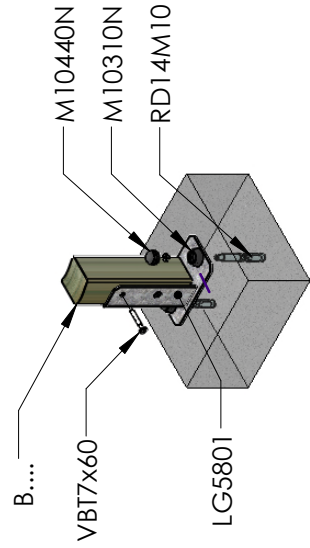
LGP.... B



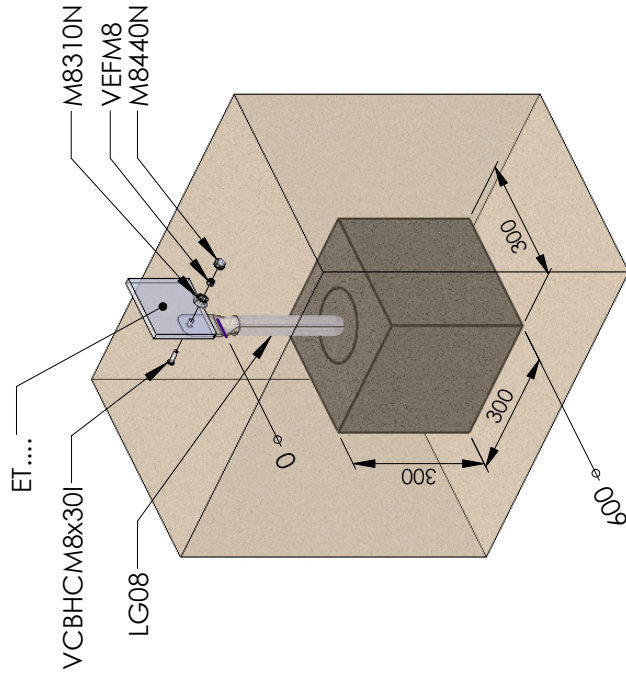
B.... A



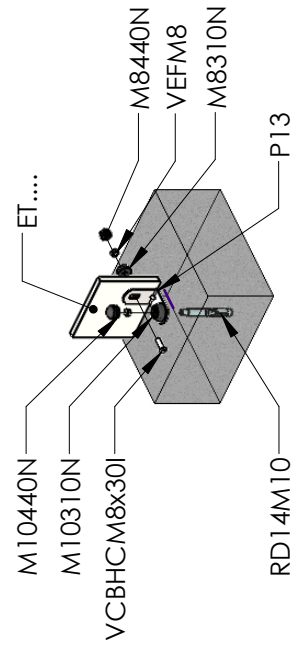
B.... B



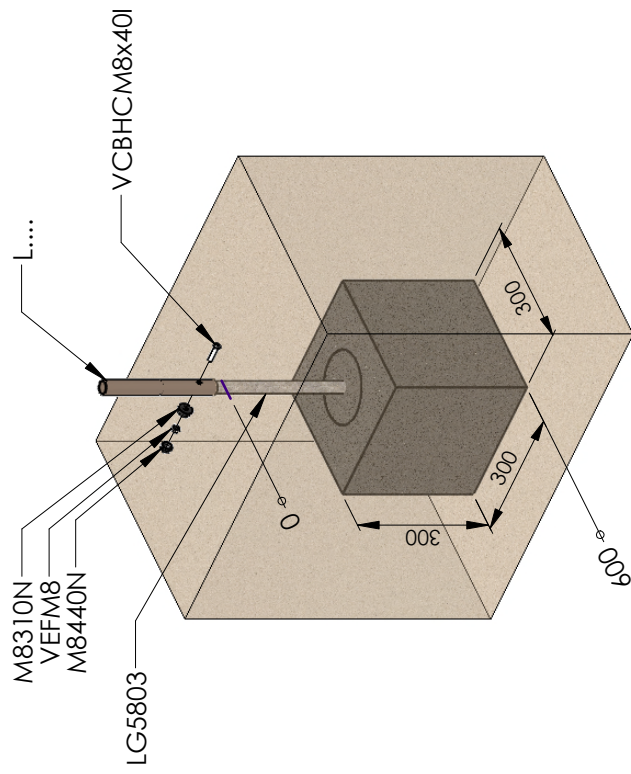
ET.... A



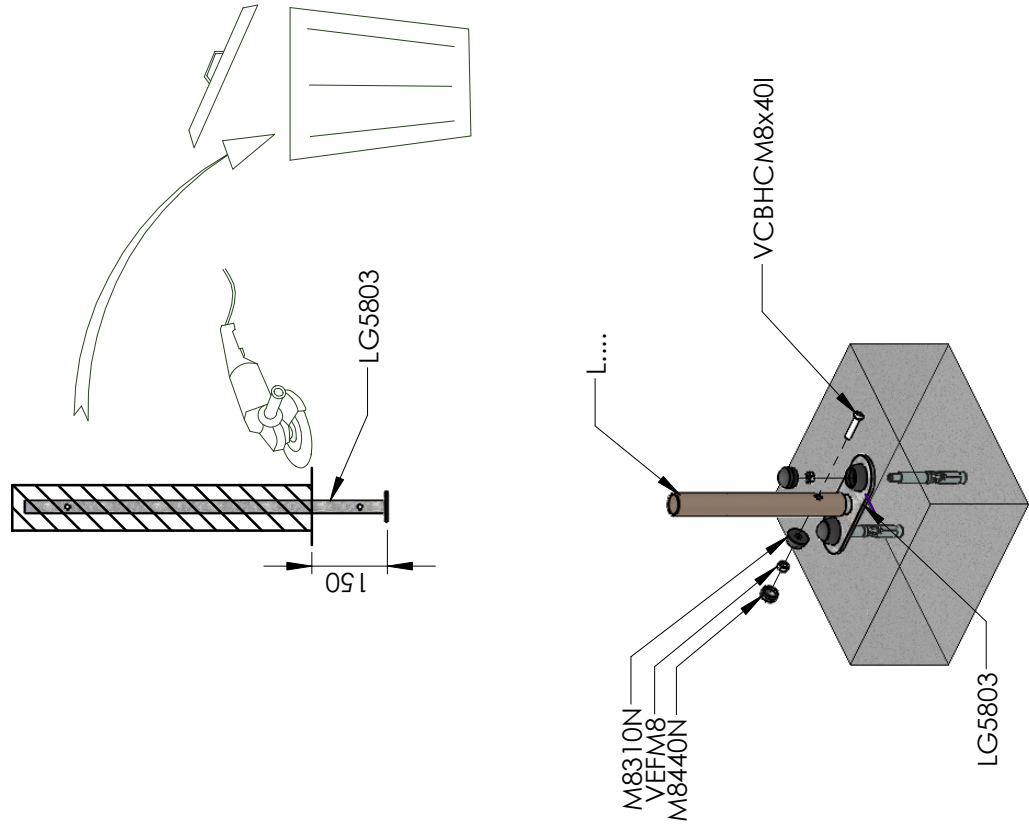
ET.... B

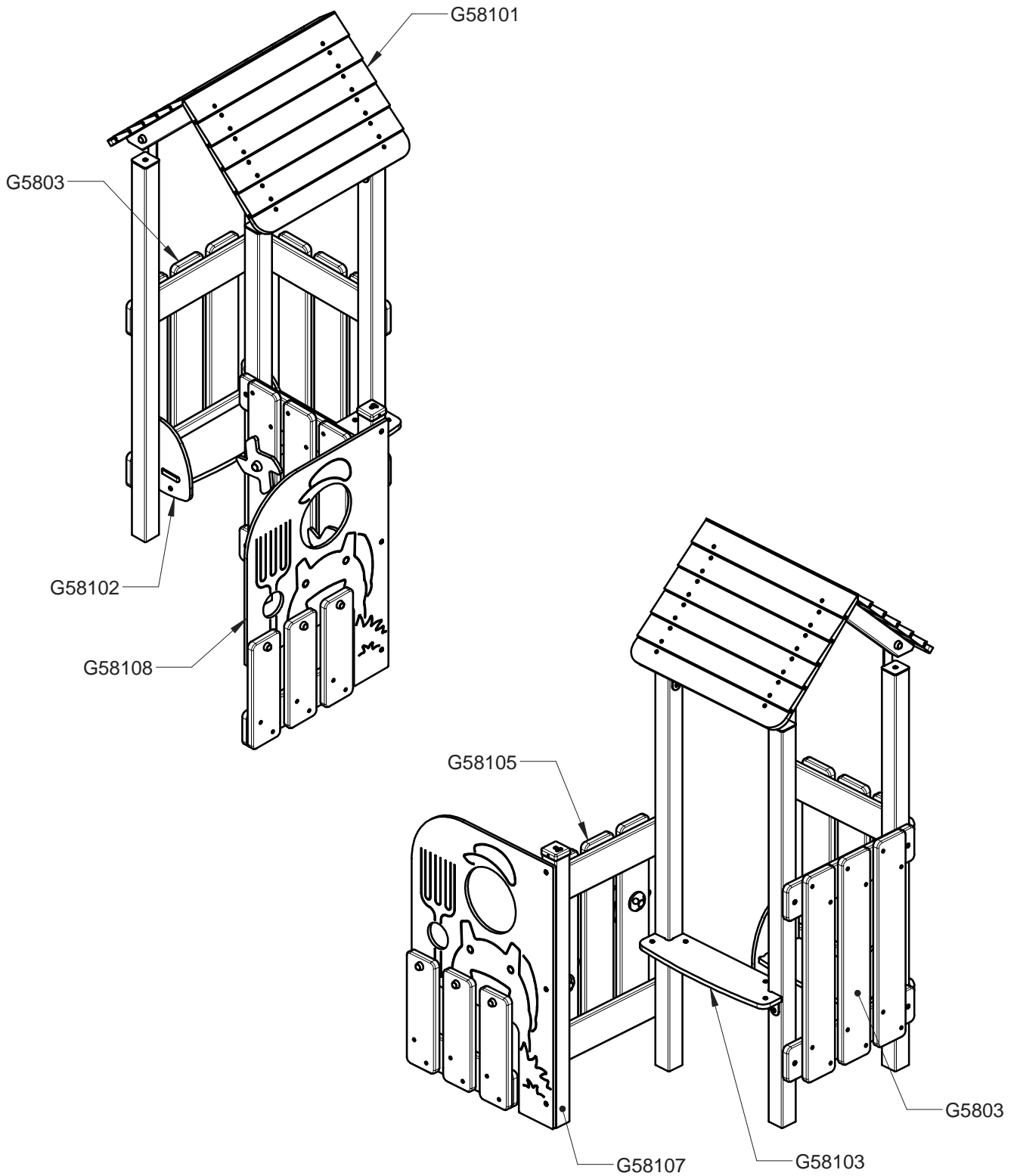


L.... A

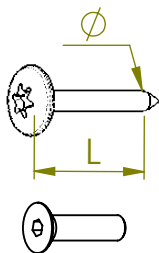


L.... B



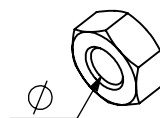


| Réf | Qté |
|--------|-----|
| G5803 | 2 |
| G58101 | 1 |
| G58102 | 1 |
| G58103 | 1 |
| G58105 | 1 |
| G58107 | 1 |
| G58108 | 1 |



VBT 6 x 30
 \varnothing \uparrow L (mm)

VFHC



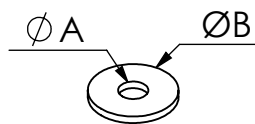
VEC M10
 \varnothing



VEF



VEB

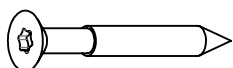


VR6x18
 $\varnothing A$ $\varnothing B$

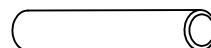
VTHA

1000 - 1800 RPM
 Vitesse de rotation
 Rotation speed

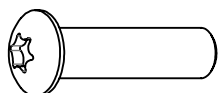
< 14 N.m
 Couple de rupture
 Breakage torque



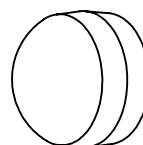
VWT



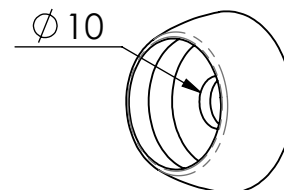
VGC



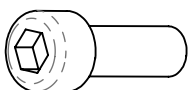
VCBHC



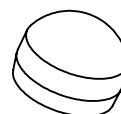
M10 440N



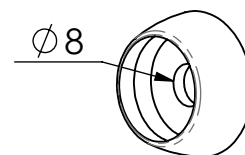
M10 310 N



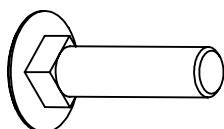
VBTR



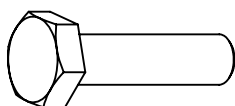
M8 440N



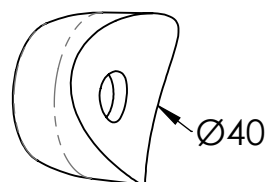
M8 310N



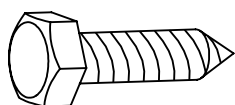
VTRCC



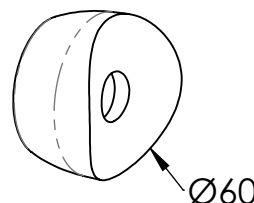
VTH



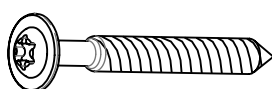
MI2503



VTF

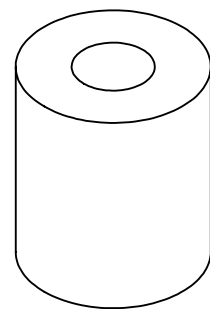
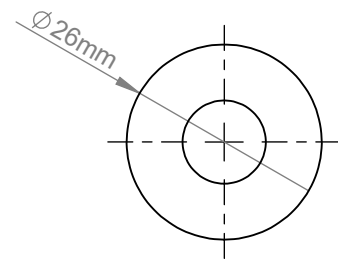
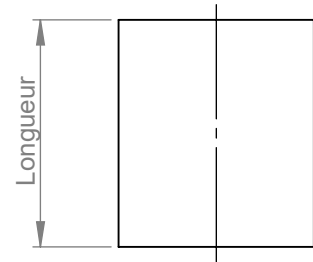


MI2701

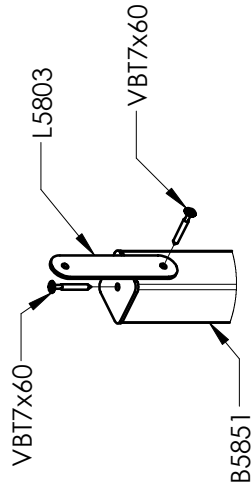


VBT

| REF | Désignation | Matière | Longueur |
|--------|-------------|------------|----------|
| MU1012 | LG 425 | PVC rigide | 425 |
| MU1050 | LG 401 | PVC rigide | 401 |
| MU2355 | LG 594 | PVC rigide | 594 |
| MU2507 | LG 110 | PVC rigide | 110 |
| MU2603 | LG 40 | PVC rigide | 40 |
| MU2614 | LG 24 | PVC rigide | 24 |
| MU277 | LG 150 | PVC rigide | 150 |
| MU3502 | LG 148 | PVC rigide | 148 |
| MU3508 | LG 55 | PVC rigide | 55 |
| MU3801 | LG 90 | PVC rigide | 90 |
| MU3903 | LG 114 | PVC rigide | 114 |
| MU3906 | LG 250 | PVC rigide | 250 |
| MU3908 | LG 30 | PVC rigide | 30 |
| MU3909 | LG 10 | PVC rigide | 10 |
| MU440 | LG 100 | PVC rigide | 100 |
| MU4700 | LG 15 | PVC rigide | 15 |
| MU5012 | LG 125 | PVC rigide | 125 |
| MU502 | LG 185 | PVC rigide | 185 |
| MU5600 | LG 87 | PVC rigide | 87 |
| MU720 | LG 720 | PVC rigide | 720 |
| MU9000 | LG 555 | PVC rigide | 555 |
| MU9001 | LG 36 | PVC rigide | 36 |
| MU9002 | LG 42 | PVC rigide | 42 |
| MU9004 | LG 405 | PVC rigide | 405 |
| MU901 | LG 70 | PVC rigide | 70 |
| MU902 | LG 226 | PVC rigide | 226 |
| MU903 | LG 296 | PVC rigide | 296 |
| MU904 | LG 21,5 | PVC rigide | 21,5 |
| MU905 | LG 330 | PVC rigide | 330 |
| MU910 | LG 60 | PVC rigide | 60 |
| MU930 | LG 80 | PVC rigide | 80 |
| | | | |
| | | | |
| | | | |
| | | | |

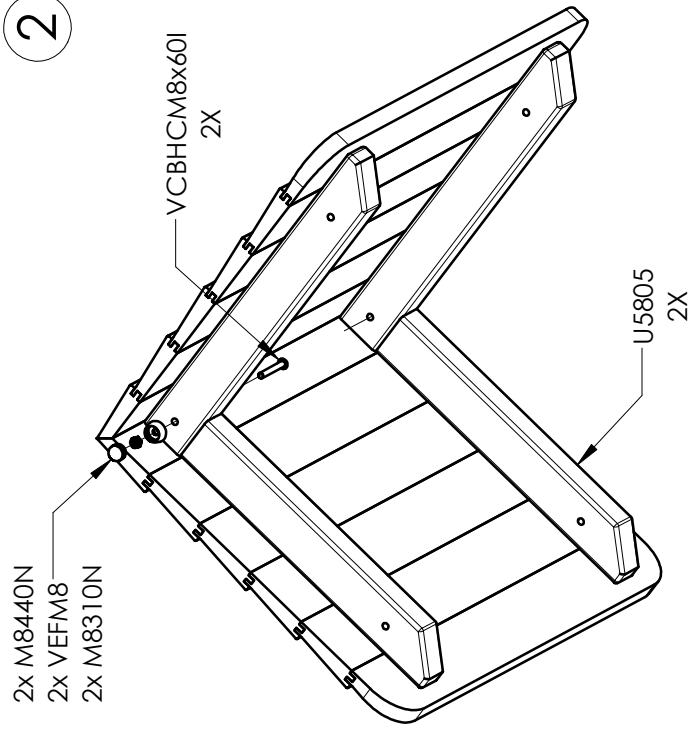


1

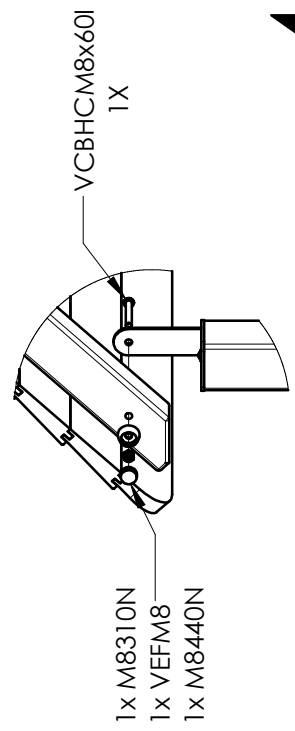


X4

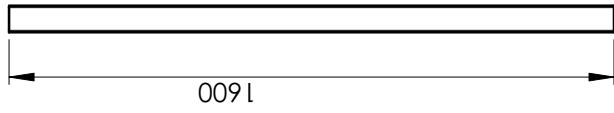
2



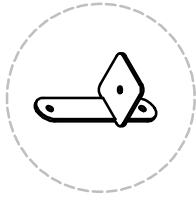
3



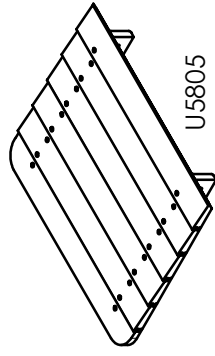
X4



B5851



L5803

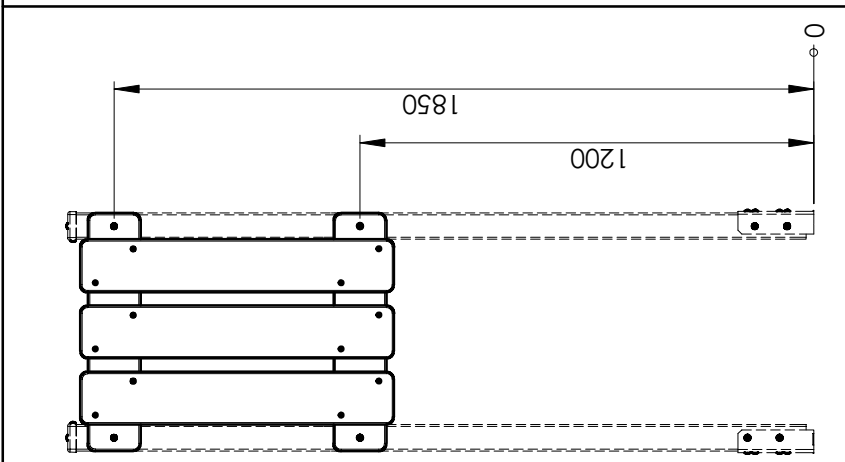
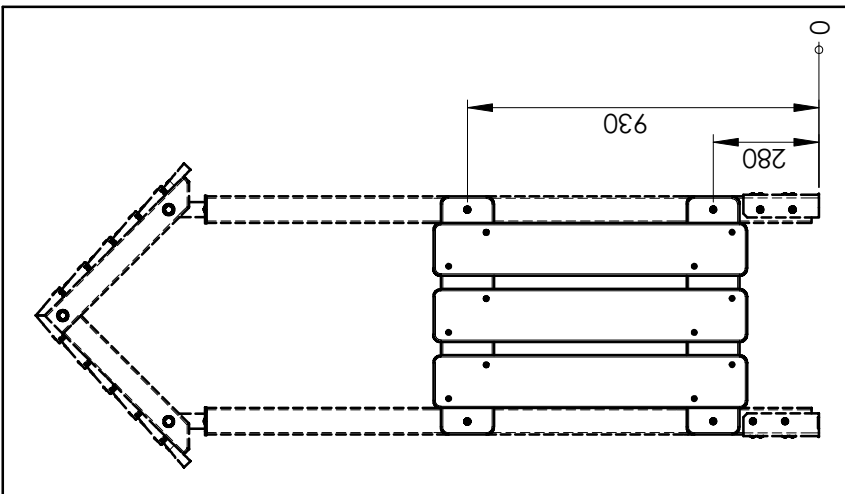
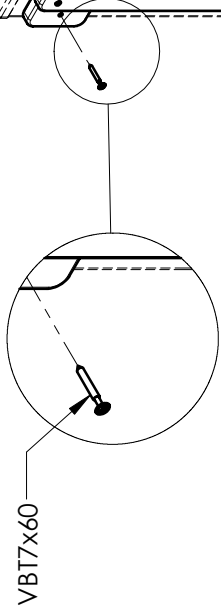
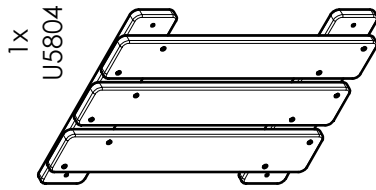
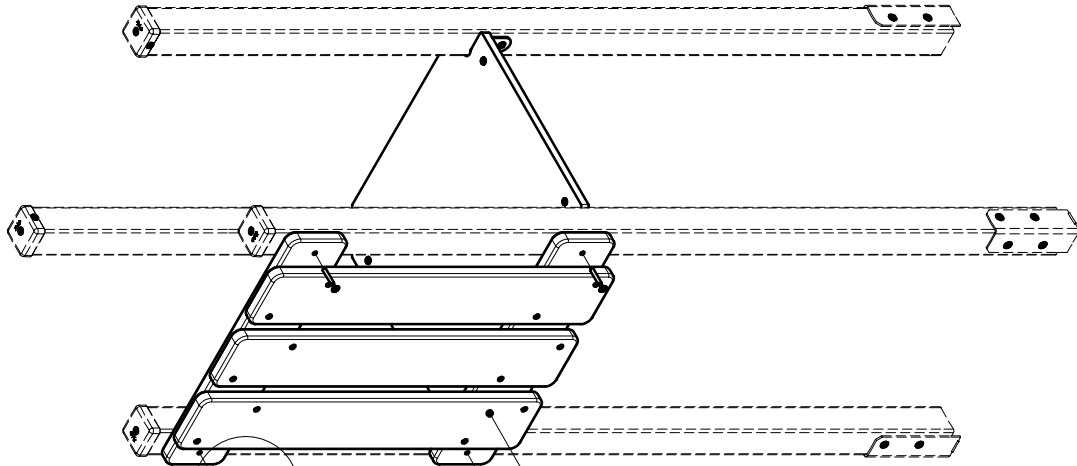


U5805

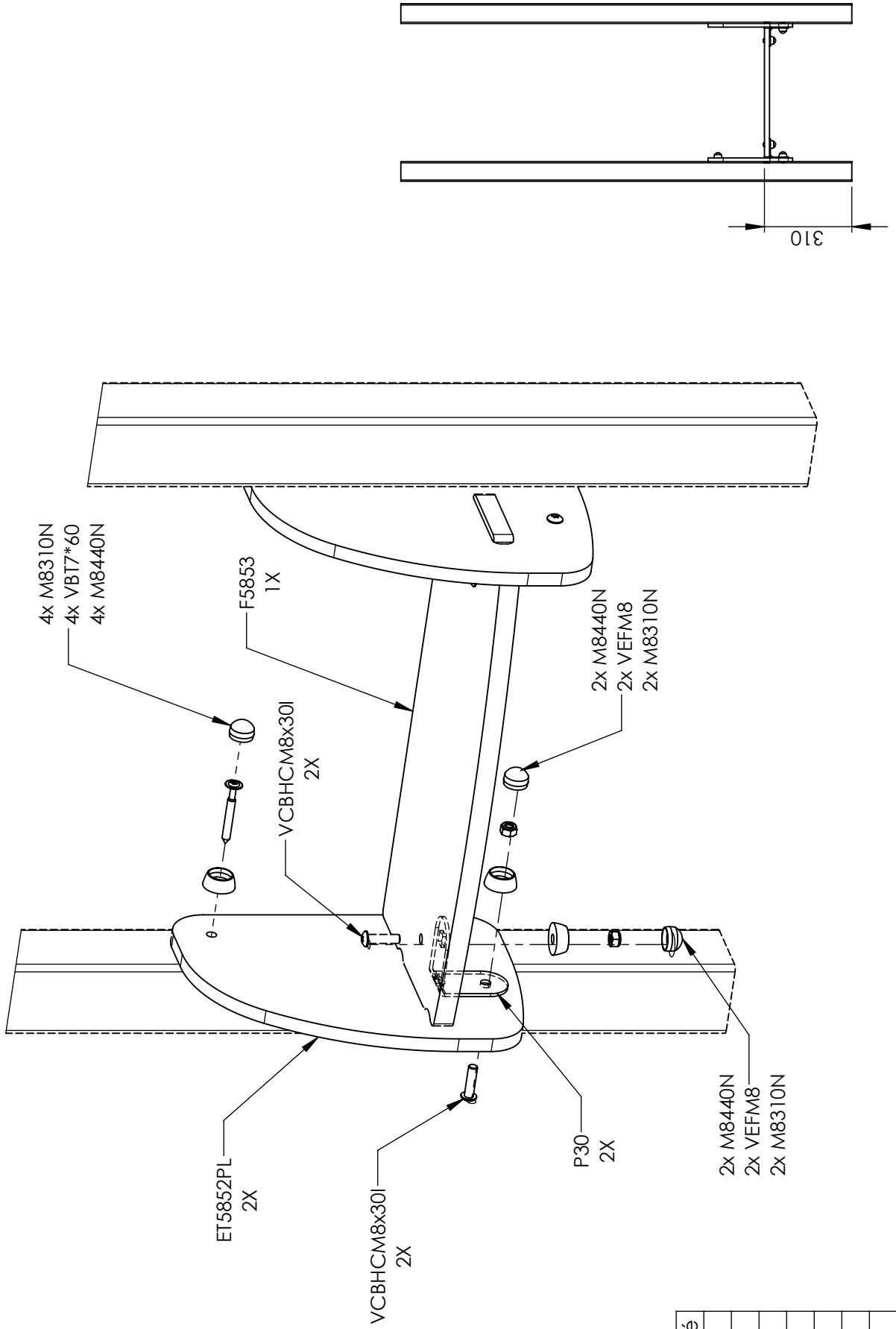


LG5800

| Réf | Qté |
|------------|-----|
| B5851 | 4 |
| L5803 | 4 |
| LG5800 | 4 |
| M8310N | 6 |
| M8440N | 6 |
| U5805 | 2 |
| VBT7x60 | 24 |
| VCBHC8x60I | 6 |
| VEFM8 | 6 |

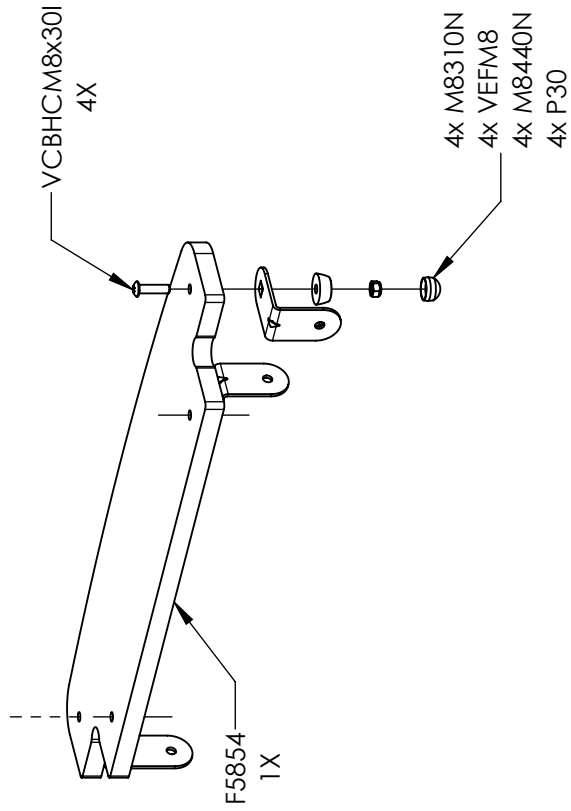


| | | |
|---------|---|---|
| | | |
| U5804 | 1 | |
| VB17x60 | | 4 |

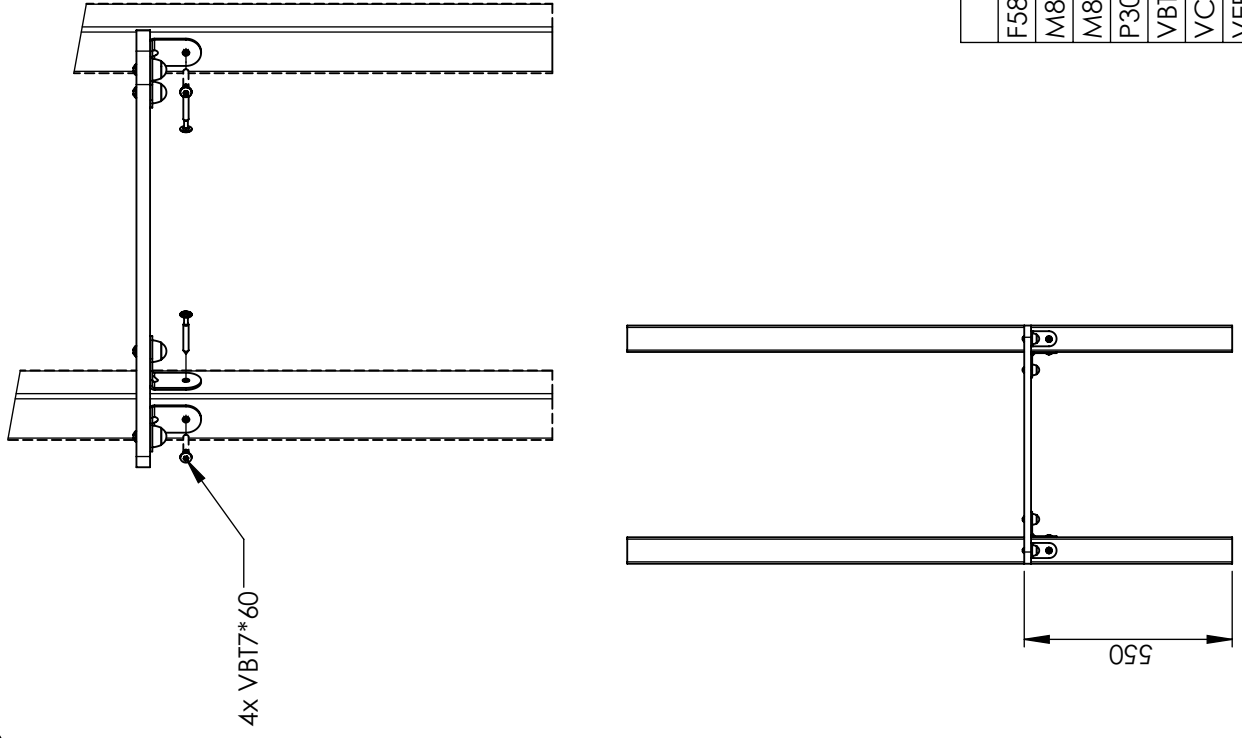


| Réf | Qté |
|-------------|-----|
| ET5852PL | 2 |
| F5853 | 1 |
| M8310N | 8 |
| M8440N | 8 |
| P30 | 2 |
| VCBHCM8x30I | 4 |
| VEFM8 | 4 |
| VBT7x60 | 4 |

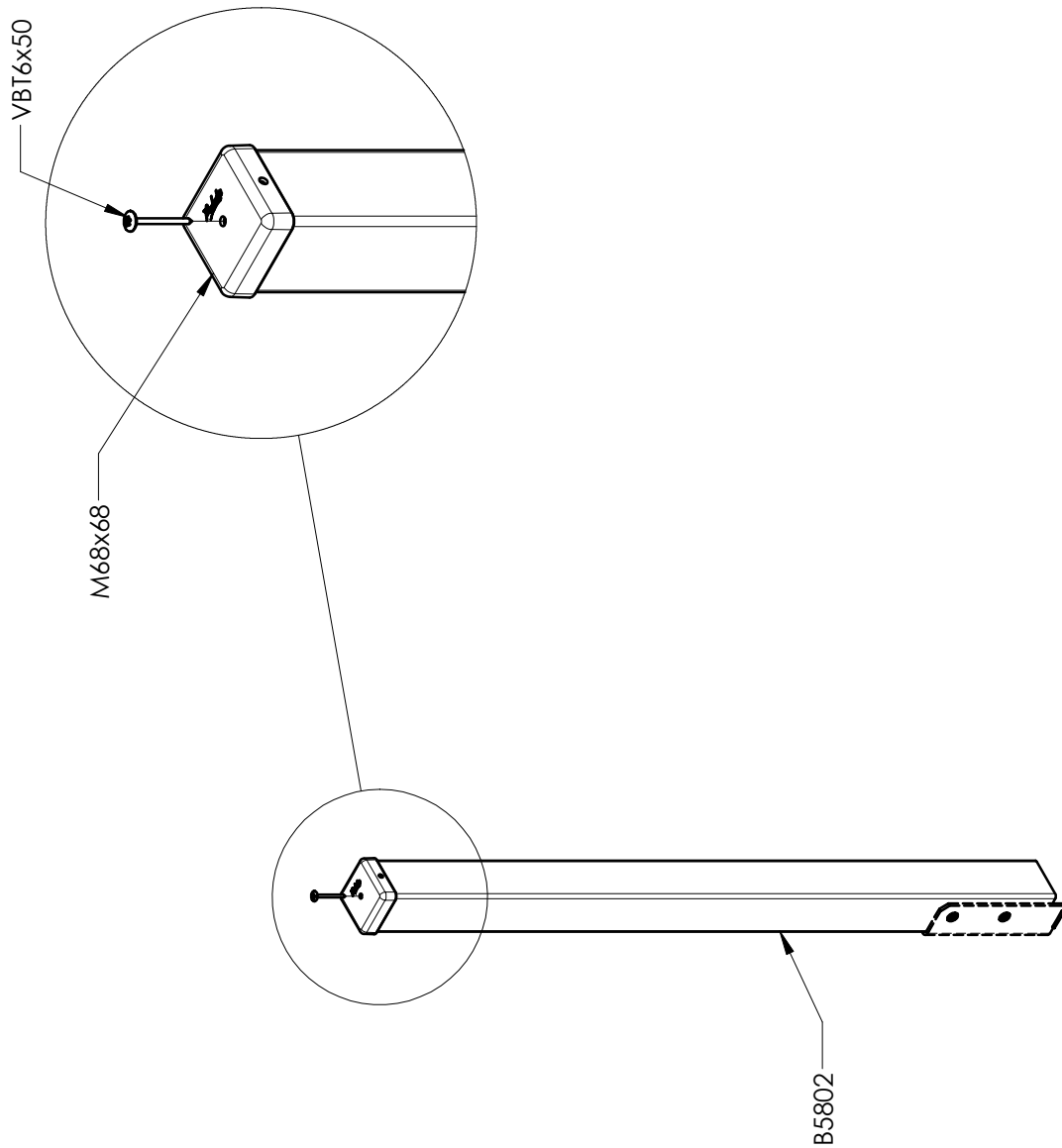
1



2

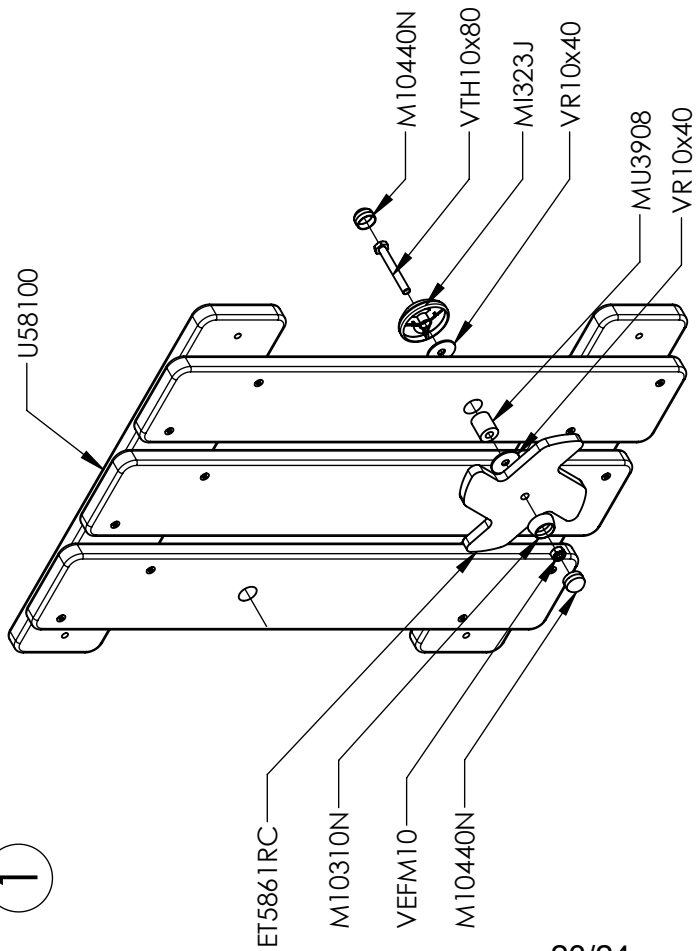


| Réf | Qté |
|-------------|-----|
| F5854 | 1 |
| M8310N | 4 |
| M8440N | 4 |
| P30 | 4 |
| VBT7x60 | 4 |
| VCBHCM8x30I | 4 |
| VEFM8 | 4 |

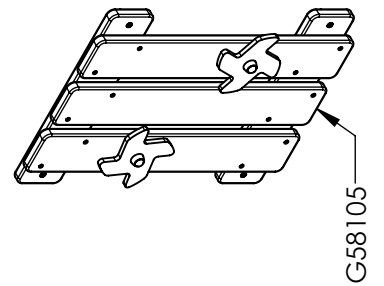


| Réf | Qté |
|---------|-----|
| B5802 | 1 |
| LG5800 | 1 |
| M68x68 | 1 |
| VBT6x50 | 1 |
| VBT7x60 | 4 |

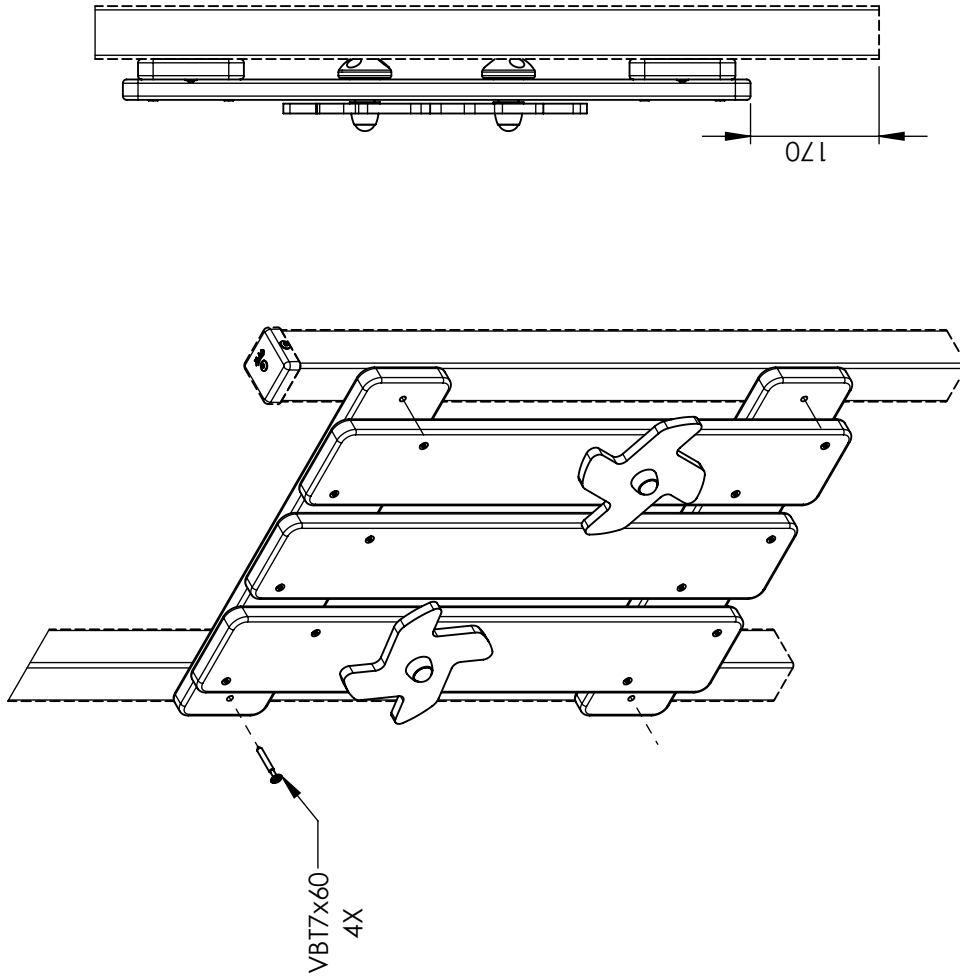
1

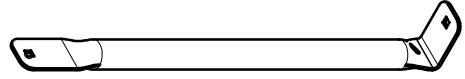
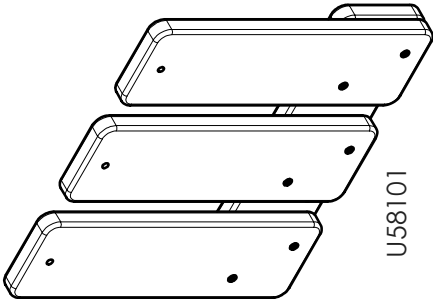
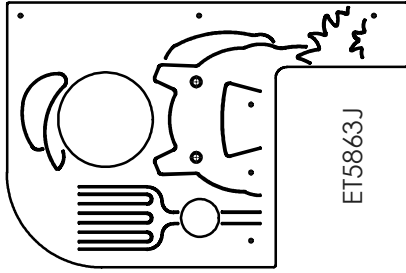
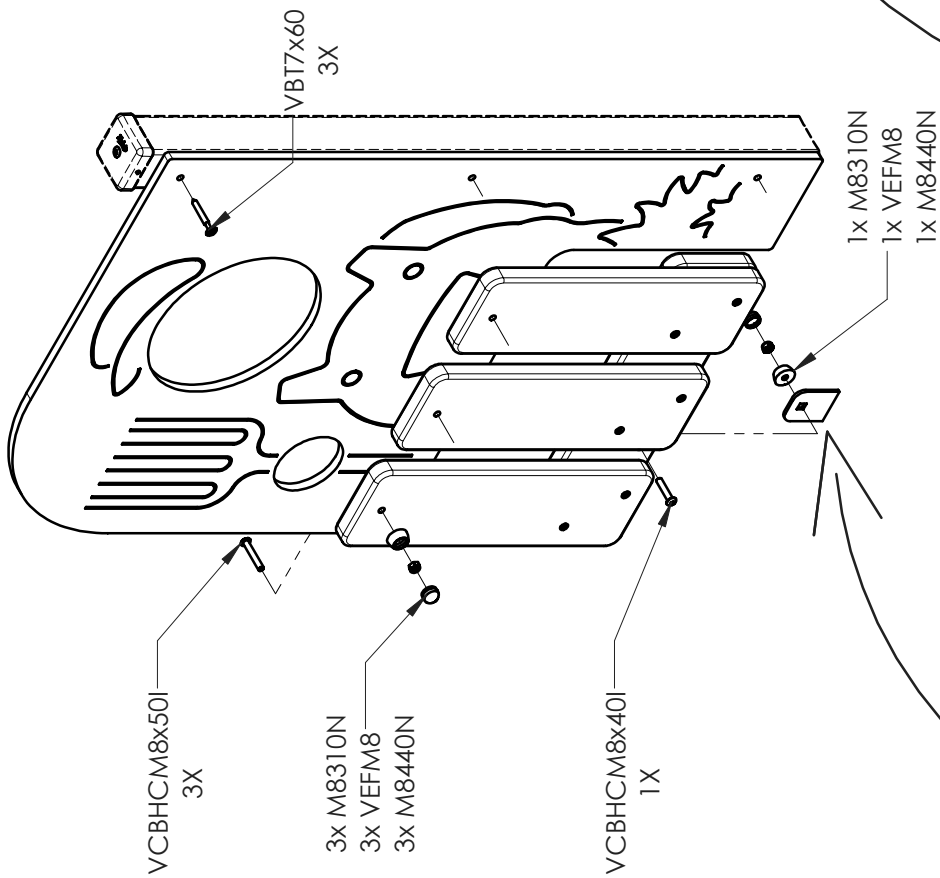


| Réf | Qté |
|----------|-----|
| M10310N | 2 |
| M10440N | 4 |
| M1323J | 2 |
| MU3908 | 2 |
| U58100 | 1 |
| VB7x60 | 4 |
| VEFM10 | 2 |
| VR10x40 | 4 |
| VTH10x80 | 2 |
| ET5861RC | 2 |



2





LG08

| Réf | Qté |
|-------------|-----|
| ET5863J | 1 |
| LG08 | 1 |
| M8310N | 4 |
| M8440N | 4 |
| U5810I | 1 |
| VBT7x60 | 3 |
| VCBHCM8x40I | 1 |
| VCBHCM8x50I | 3 |
| VEFM8 | 4 |

