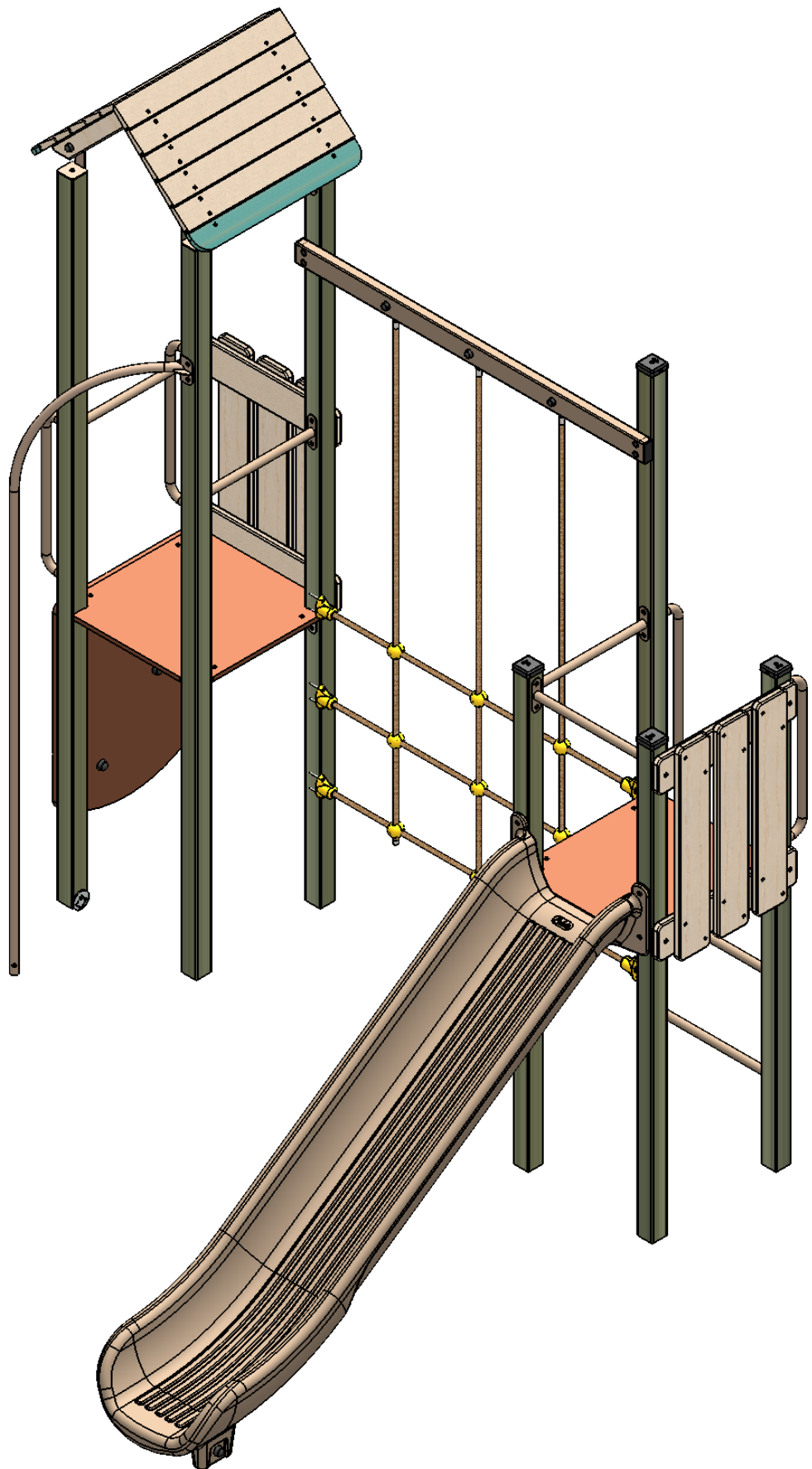
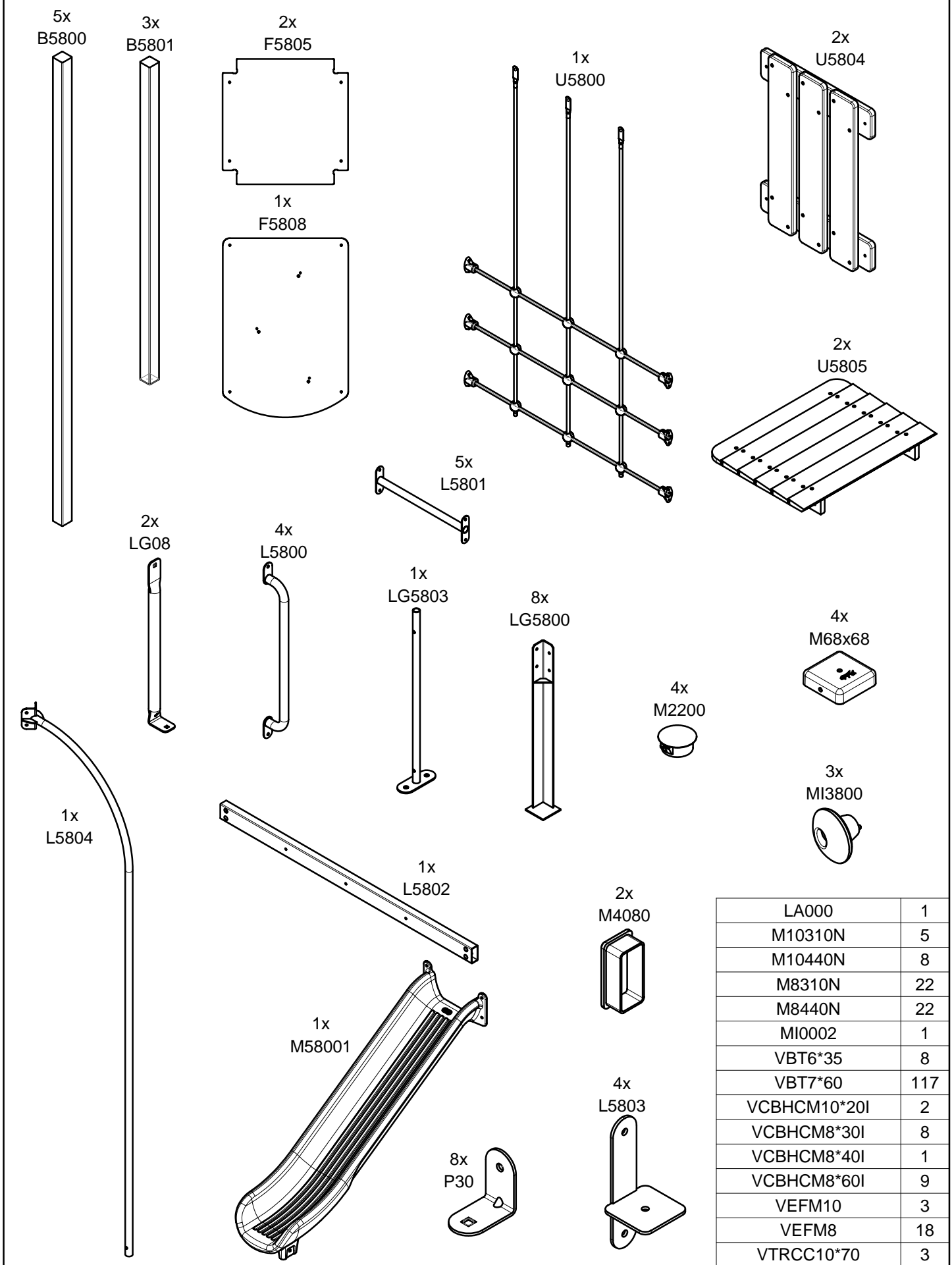


J5804

Proludic





LA000	1
M10310N	5
M10440N	8
M8310N	22
M8440N	22
MI0002	1
VB7*35	8
VB7*60	117
VCBHCM10*20I	2
VCBHCM8*30I	8
VCBHCM8*40I	1
VCBHCM8*60I	9
VEFM10	3
VEFM8	18
VTRCC10*70	3



N°		
1	1 m	6 m ²
2	1.17 m	4.5 m ²
3	1.21 m	11 m ²
4	1.4 m	7 m ²

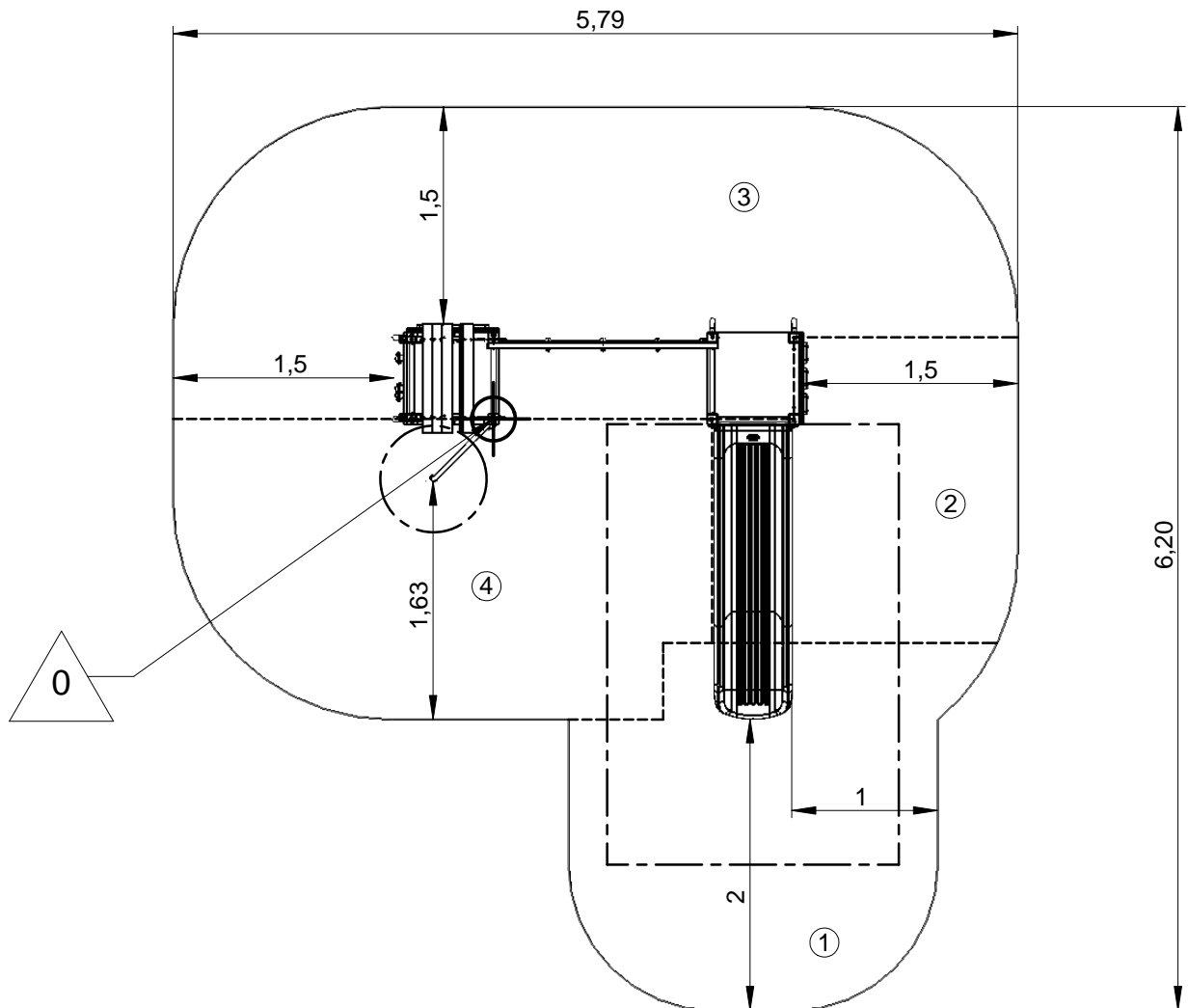
— Zone d'impact
Impact area
Area de impacto
Fallraum
Valzone

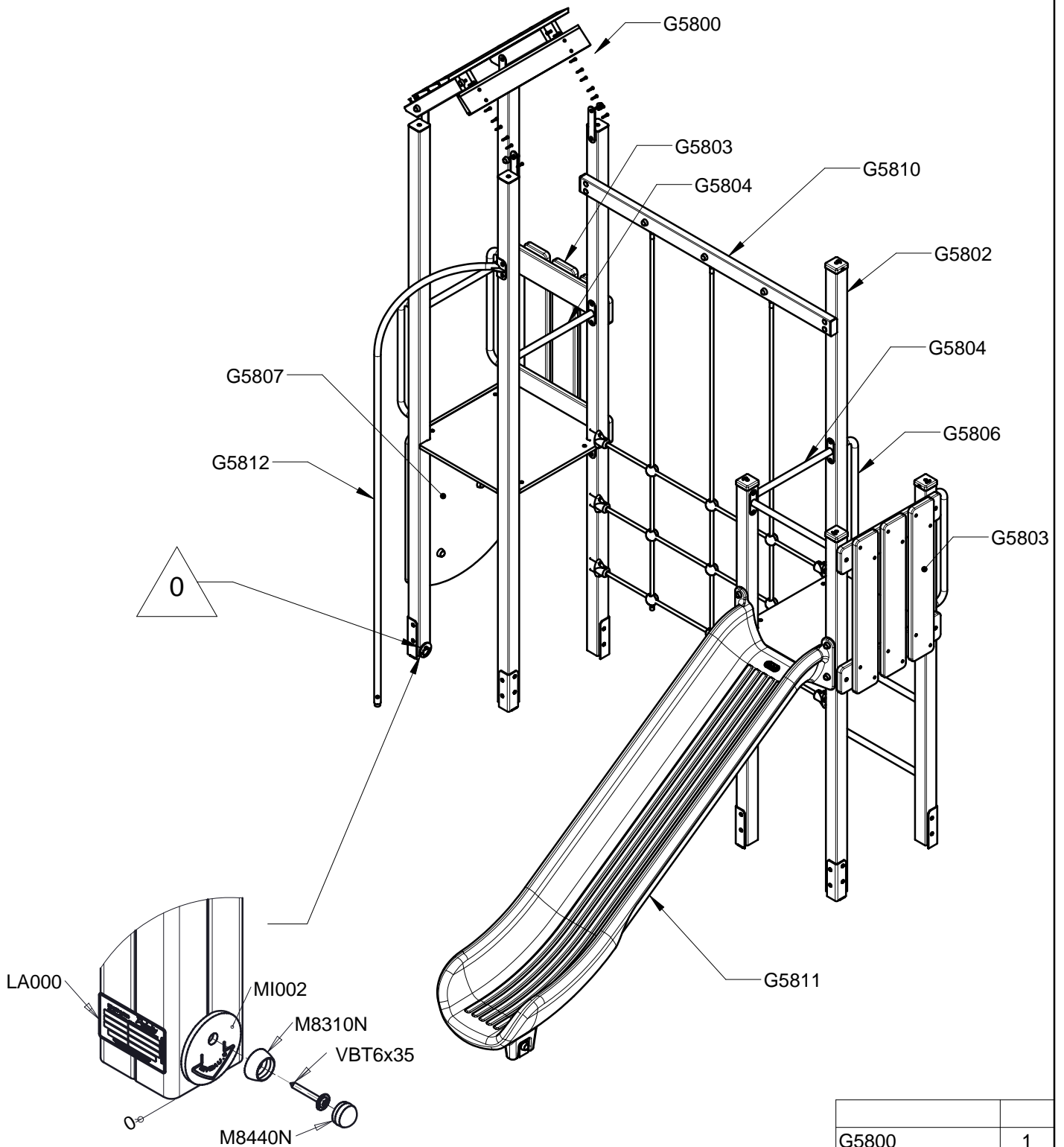
- - - Espace libre
Free space
Espacio libre
Freiraum
Vrije ruimte



Point de référence
Setting out point
Punto de referencia
Bezugspunkt
Referentiepunt

EN1176-1:2017
EN1176-3:2017

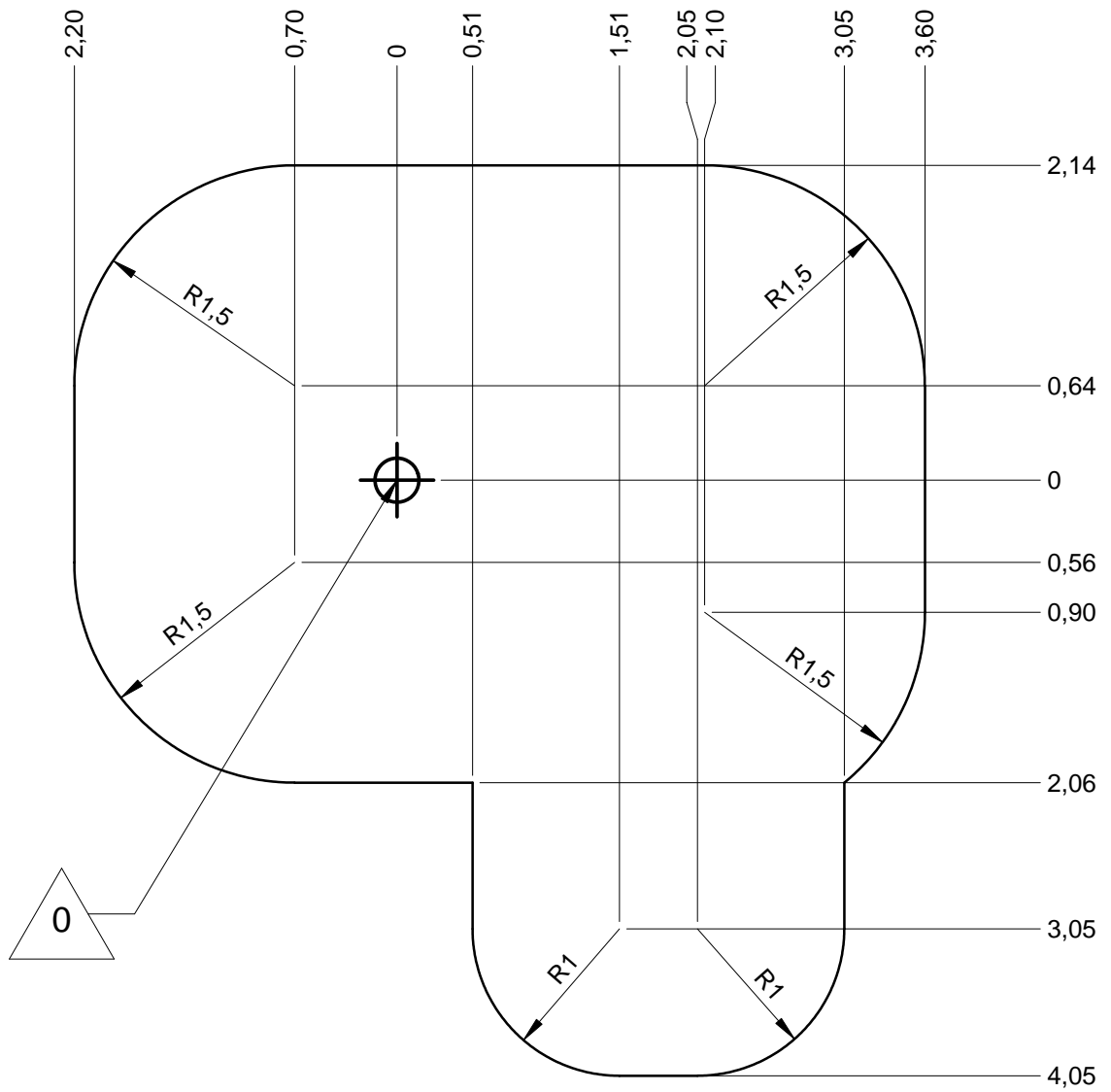




G5800	1
G5802	1
G5803	2
G5804	2
G5806	1
G5807	1
G5810	1
G5811	1
G5812	1

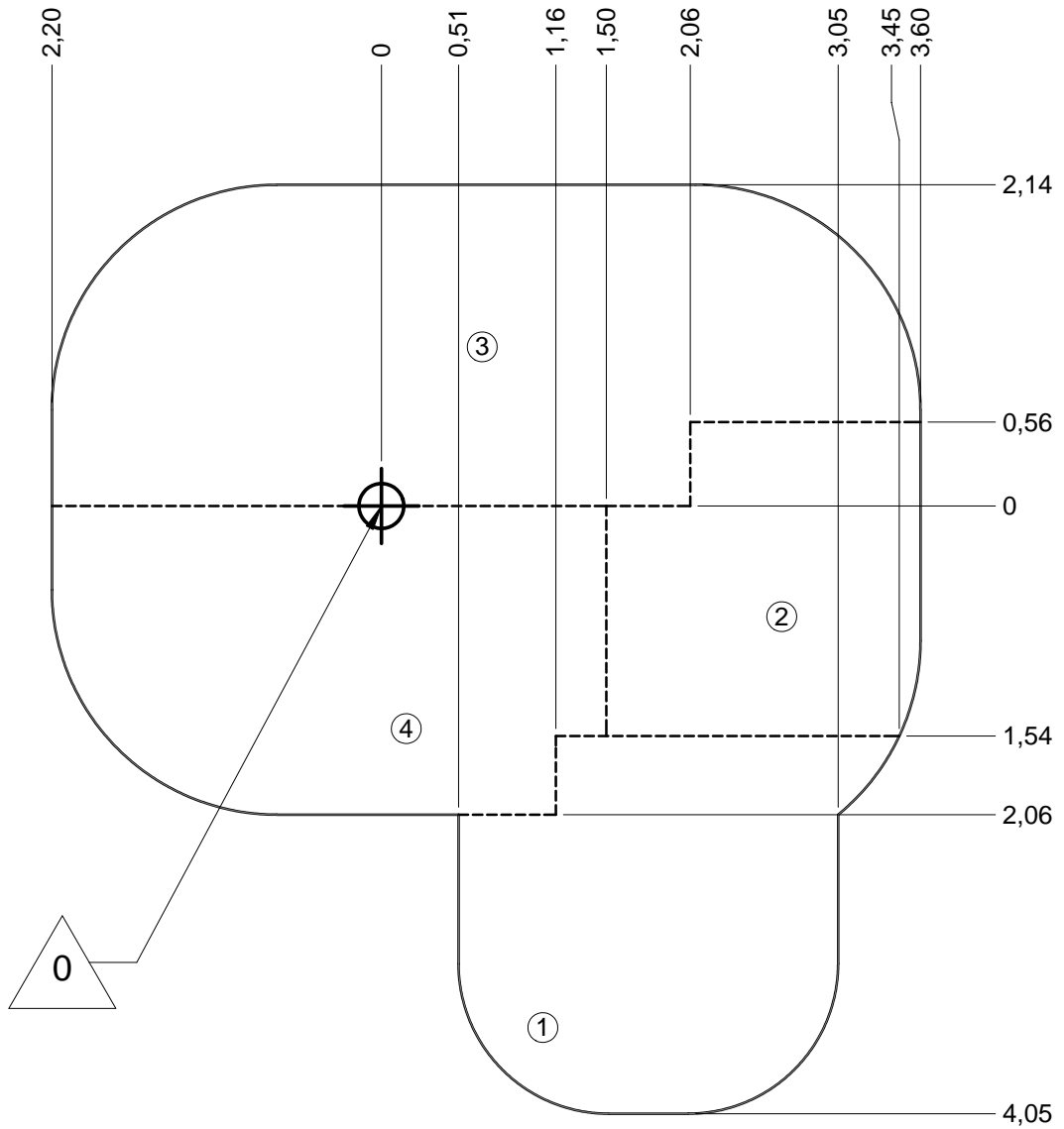
— Zone d'impact
 Impact area
 Area de impacto
 Fallraum
 Valzone

28.5 m²



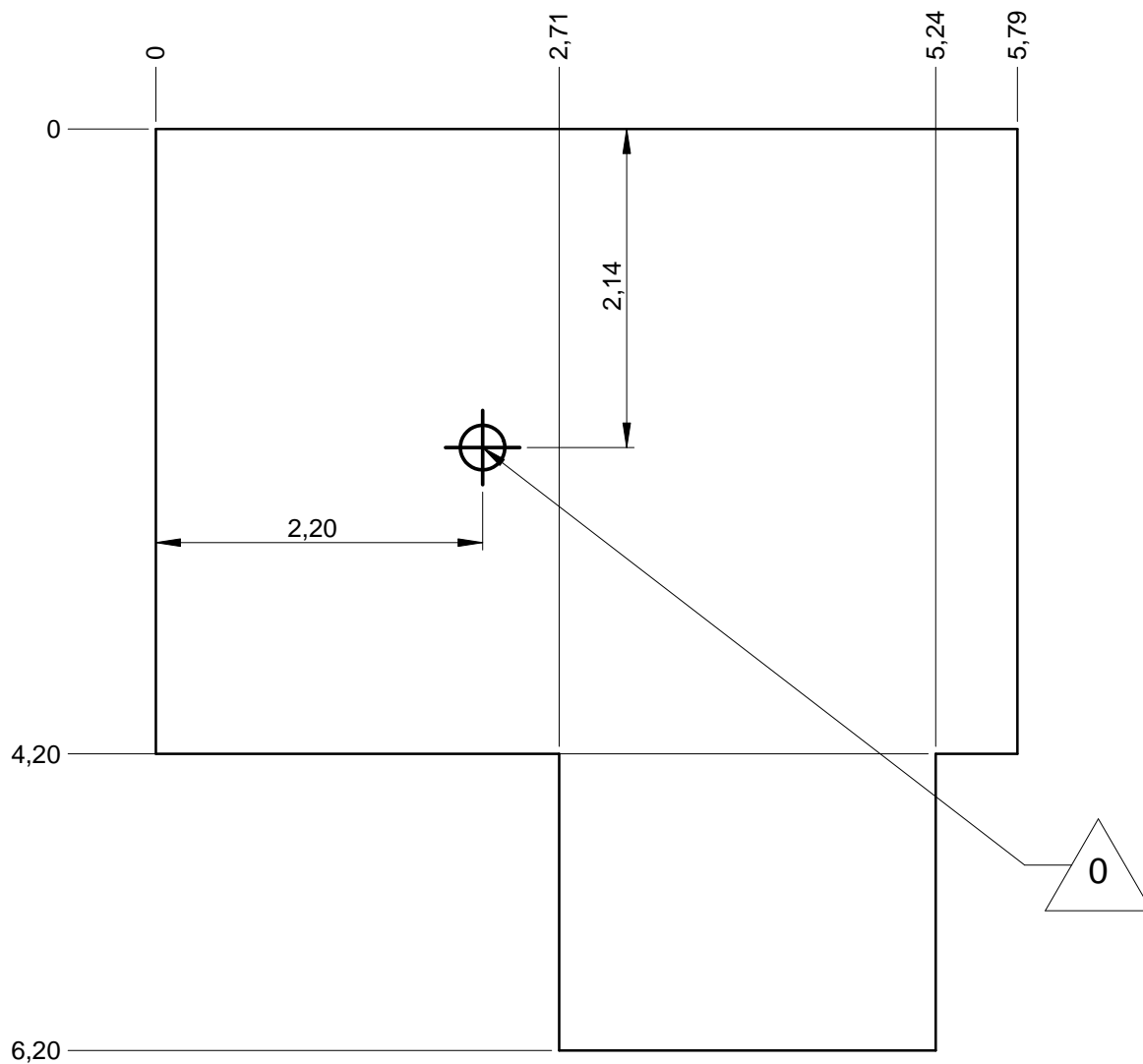
— Sol souple
 Wepour
 Caucho continuo
 Synthetischer Fallschutz
 Gietvloer

28.5 m²

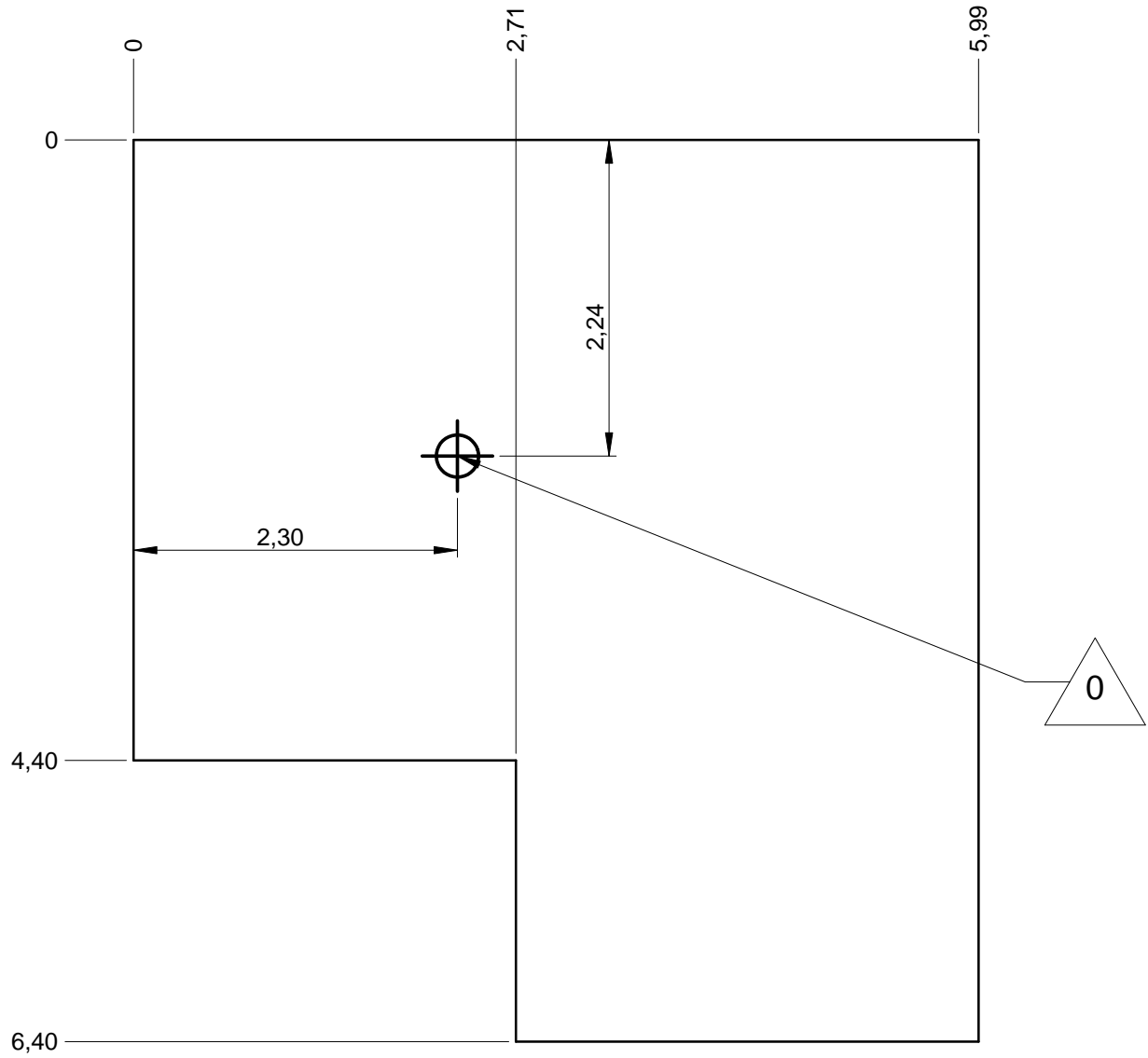


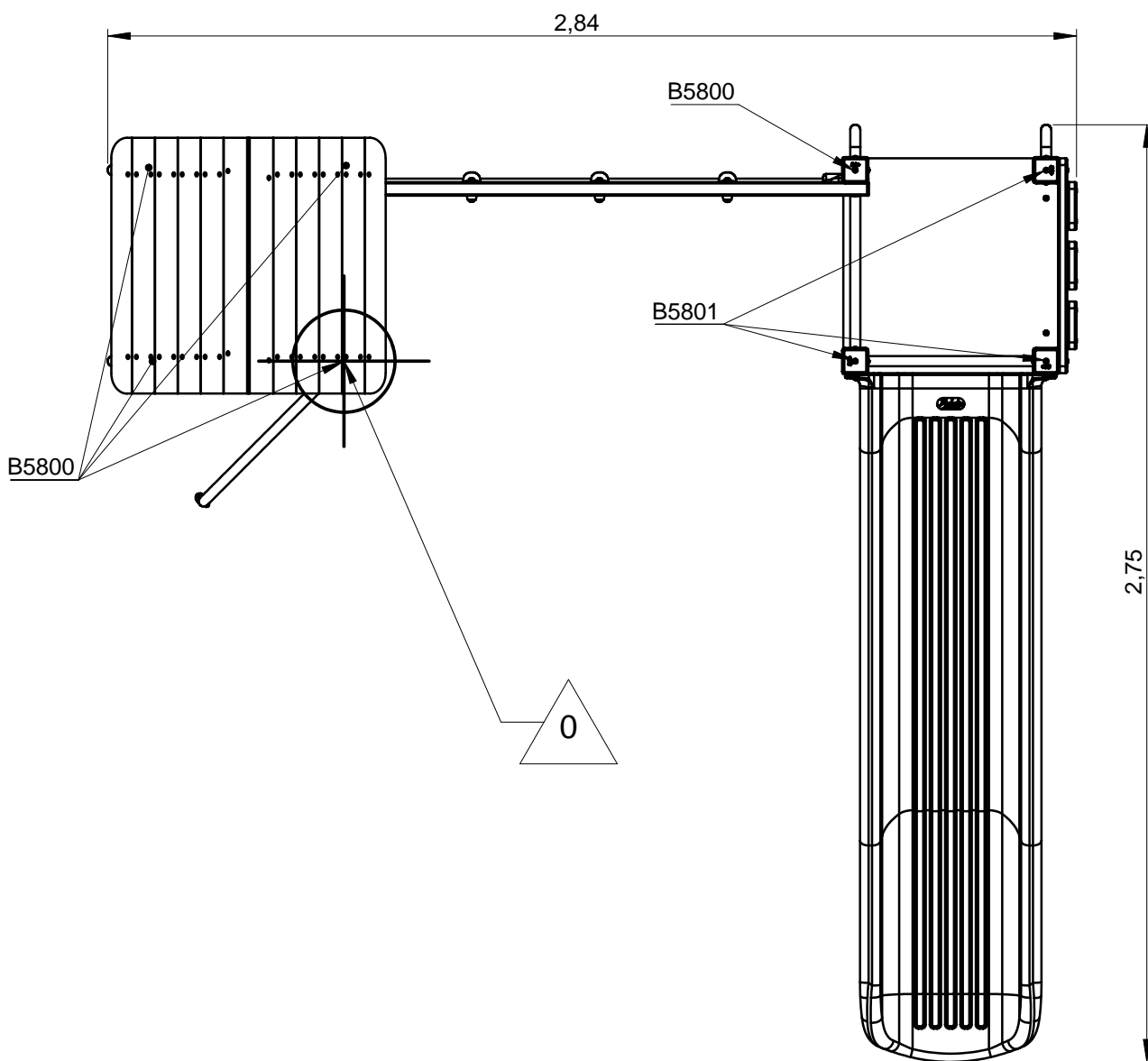
— Dalle béton
Concrete pad
Solera de hormigon
Beton Bodenplatte
Betonnen bodemplaat

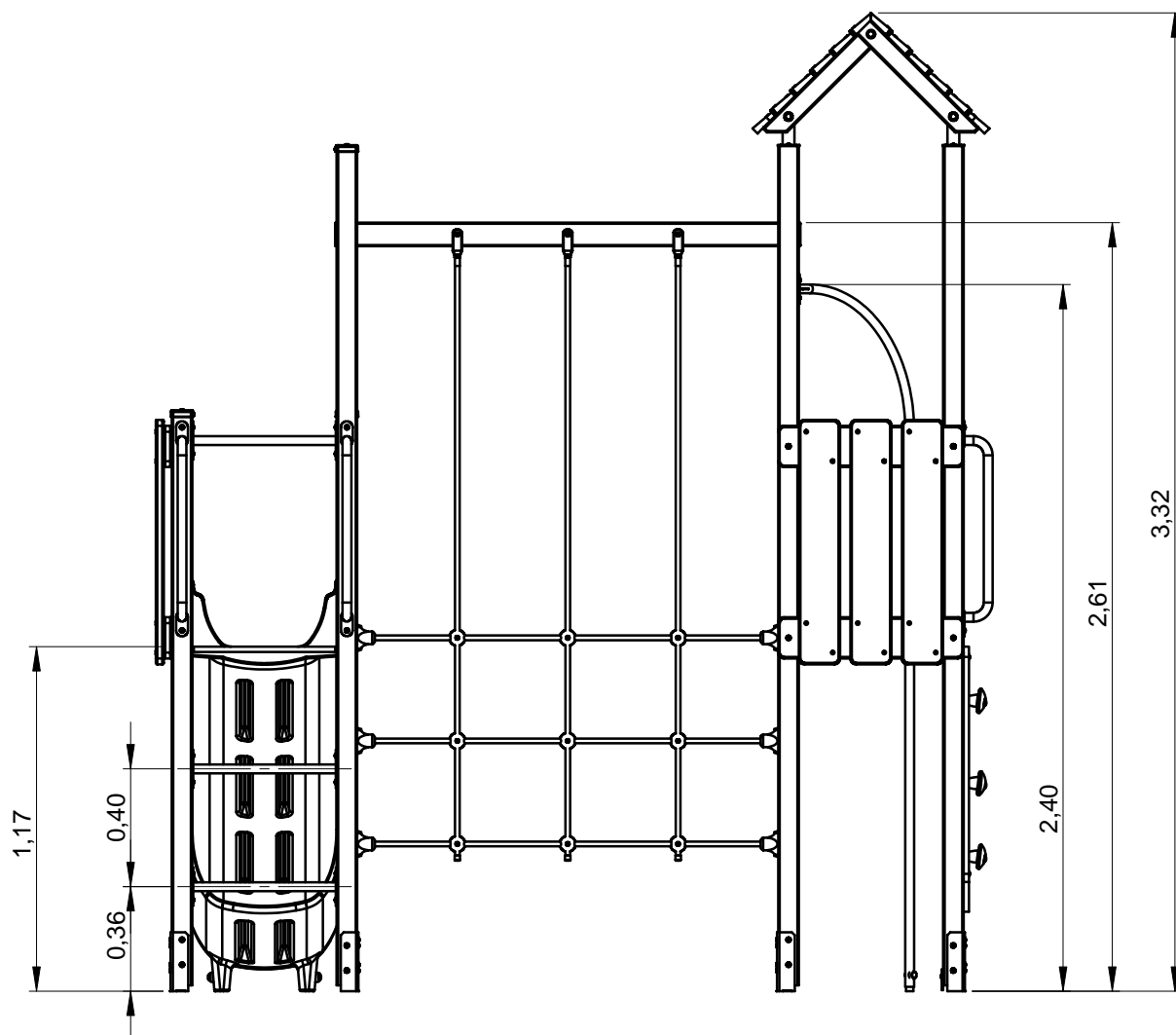
24 m
30 m²



— Sol fluent
Loos partucule material 26 m
Arenero
Loses Bodenmaterial 33 m²
Los bodemmaterial



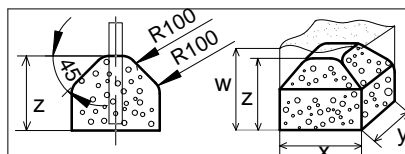
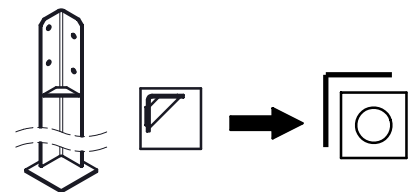
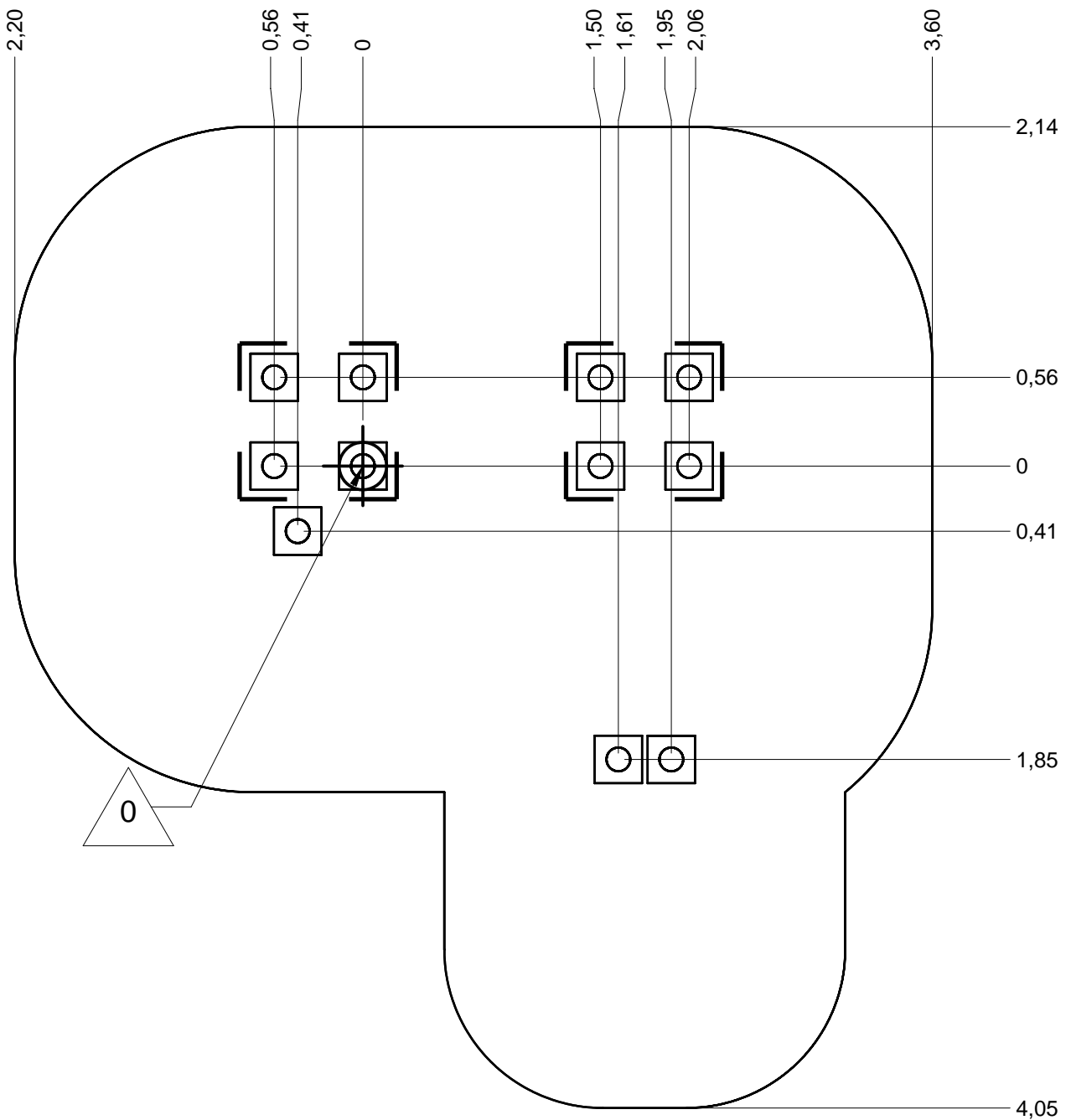




J5804A

Proludic

Implantation
 Footing plan
 Implantación
 Fundamentplan
 Funderingstekening




	x	y	z	w
	0.3	0.3	0.3	0.6
	0.4	0.4	0.3	0.6
	0.6	0.3	0.3	0.6



x2



8H

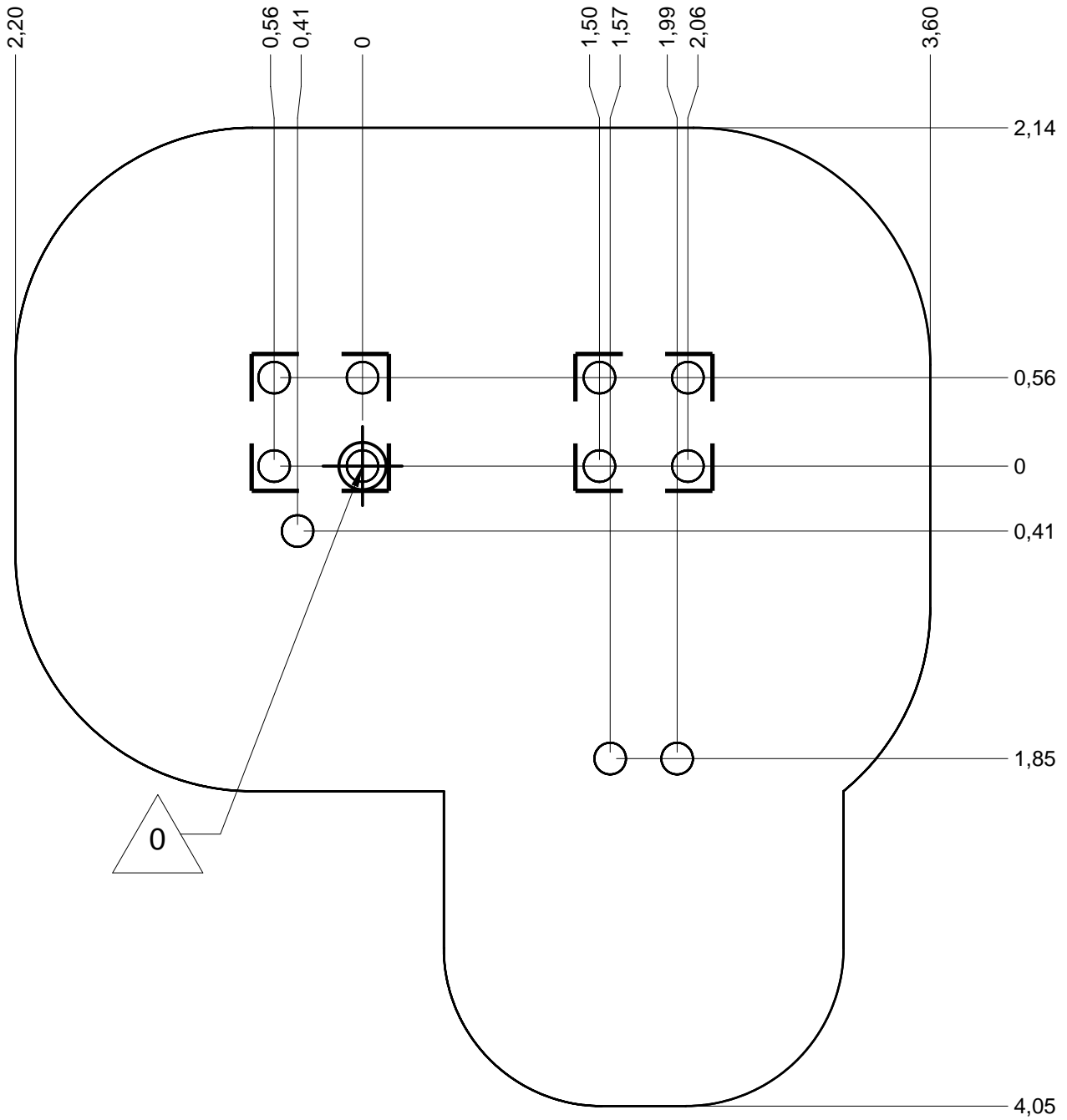





0.3 m³

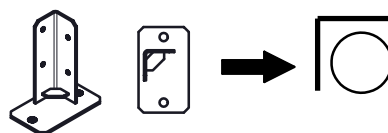
J5804B

Proludic

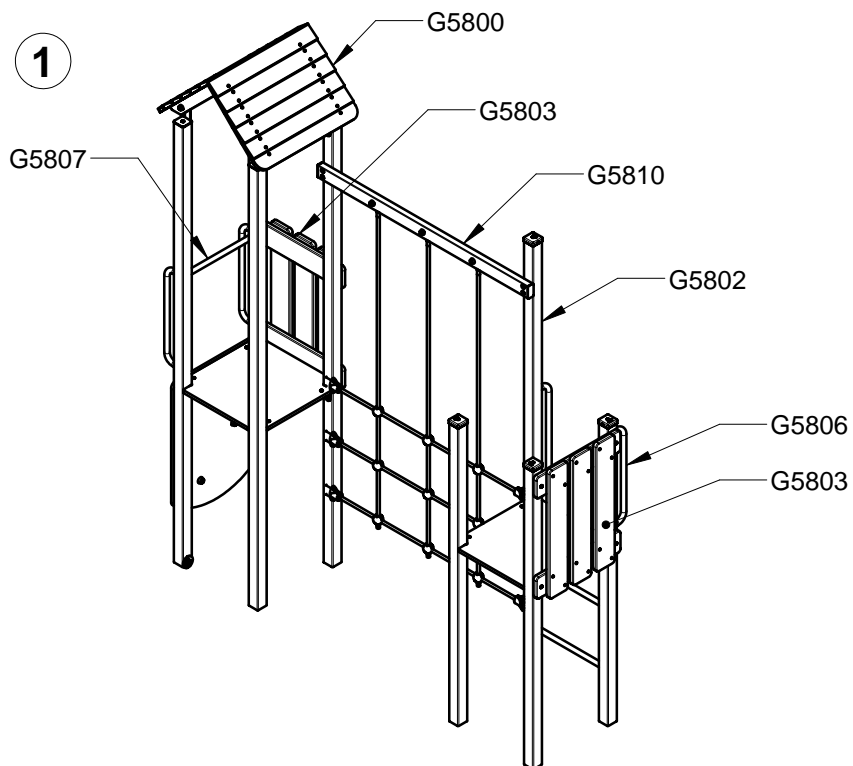
Implantation
Footing plan
Implantación
Fundamentplan
Funderingstekening



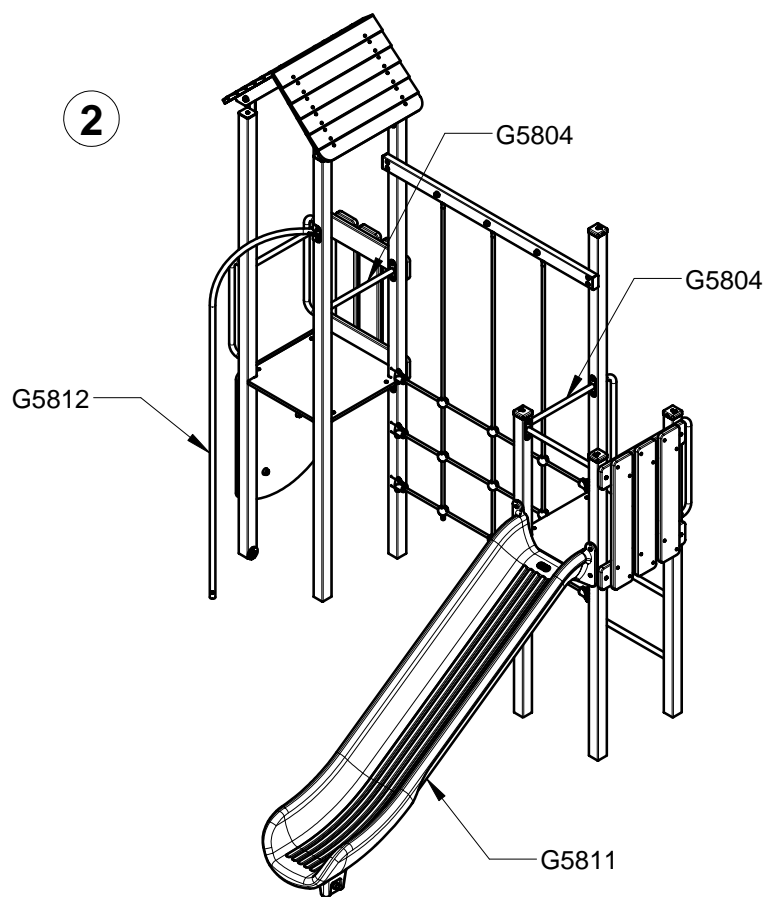
 x2	 8H	 RD14M10
---	--	---



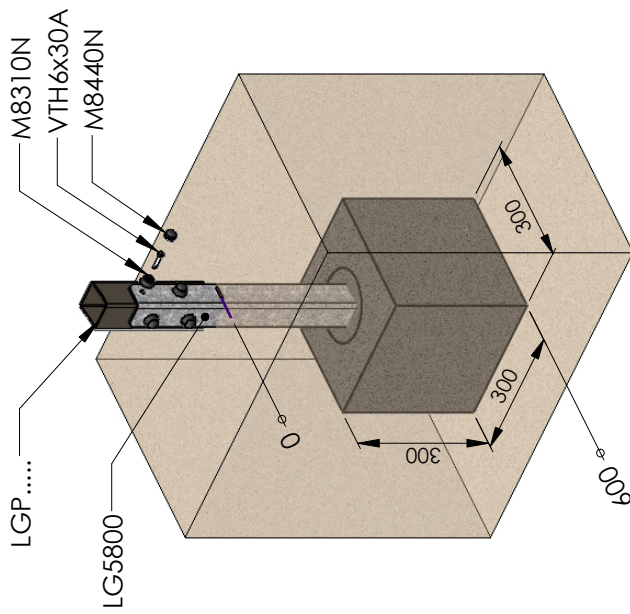
1



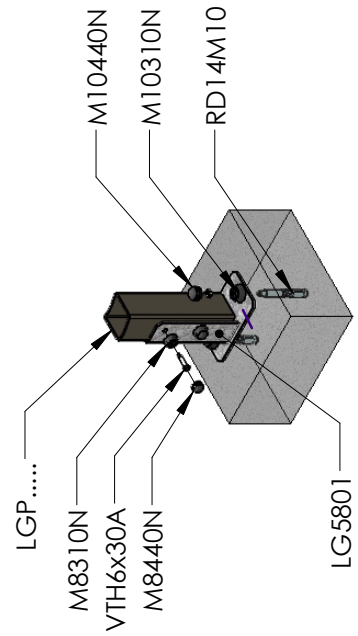
2



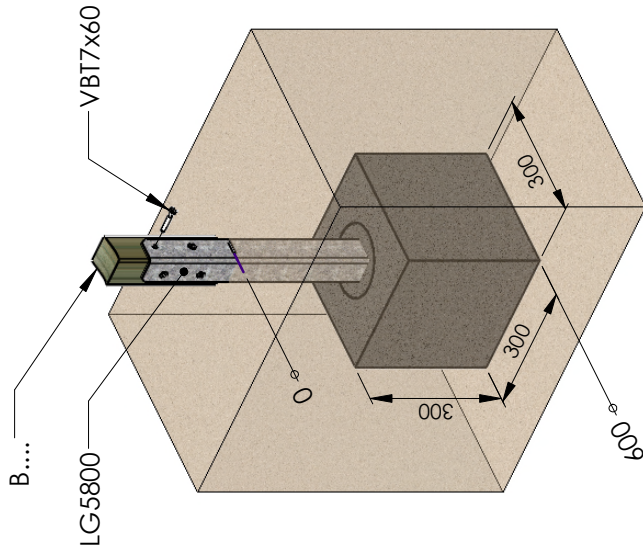
LGP.... A



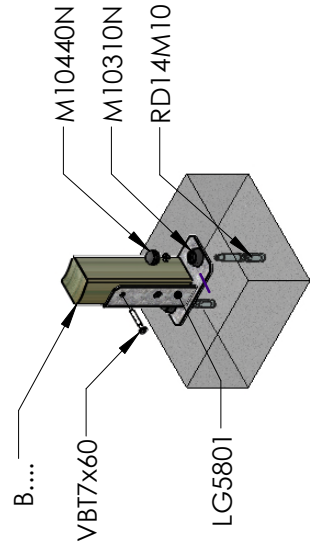
LGP.... B



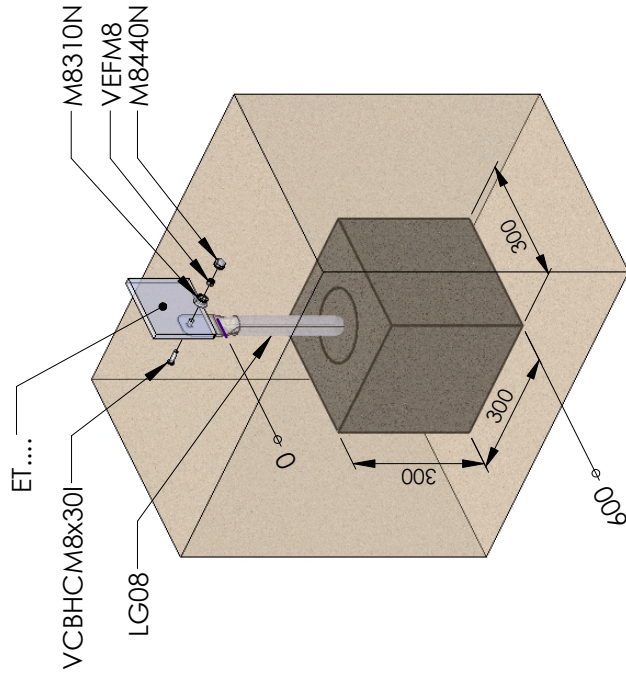
B.... A



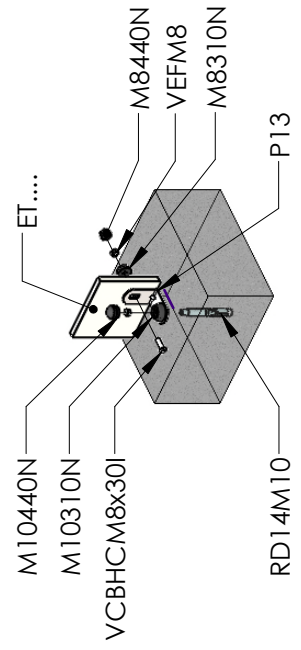
B.... B



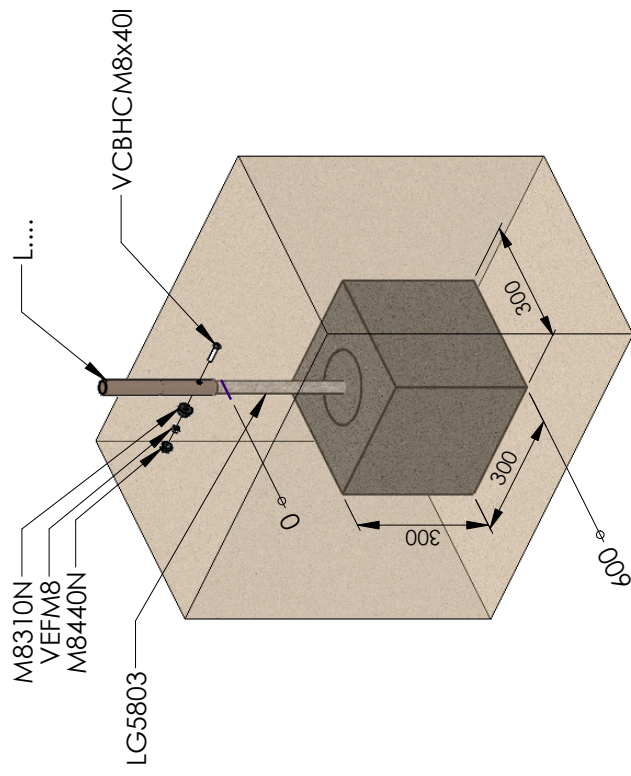
ET.... A



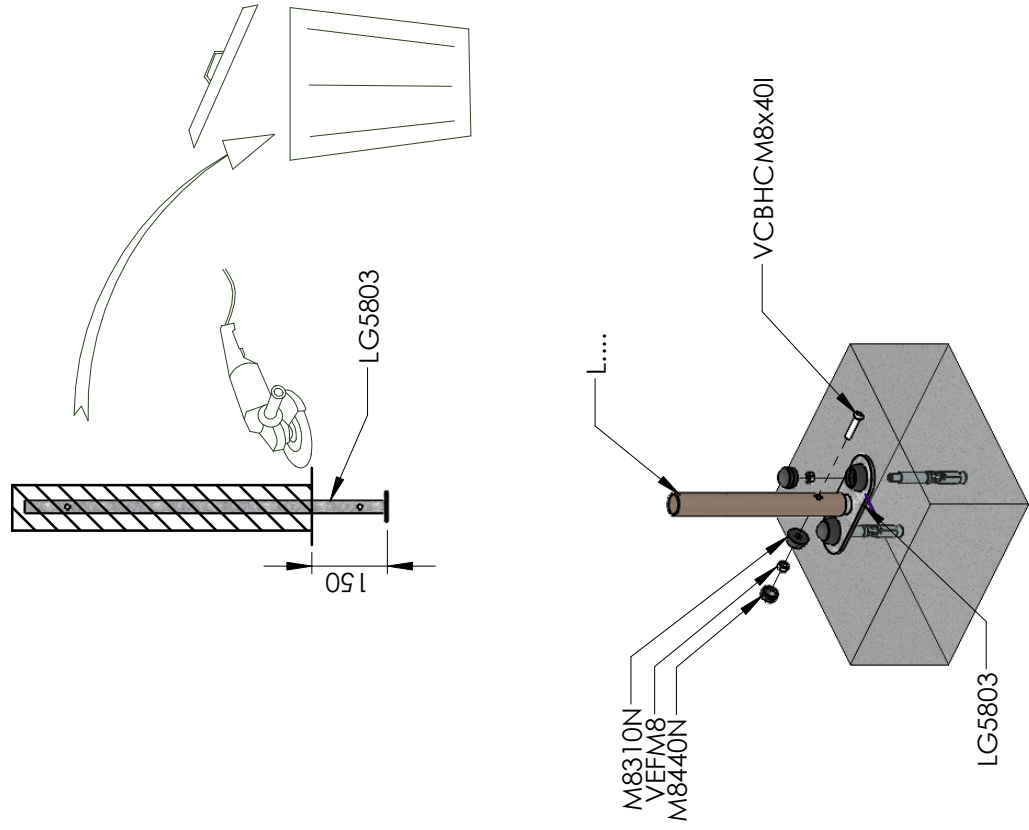
ET.... B

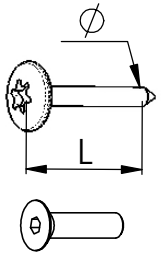


L.... A



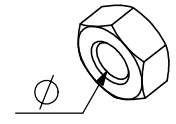
L.... B



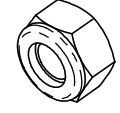


VBT 6 x 30
 \varnothing L (mm)

VFHC



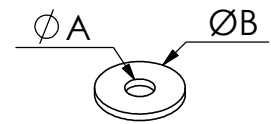
VEC M10
 \varnothing




VEF




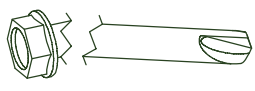
VEB



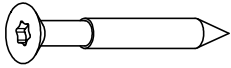
VR6x18
 $\varnothing A$ $\varnothing B$



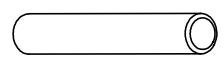
1000 - 1800 RPM
 Vitesse de rotation
 Rotation speed

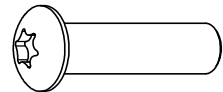
< 14 N.m
 Couple de rupture
 Breakage torque



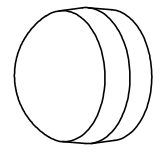
VWT



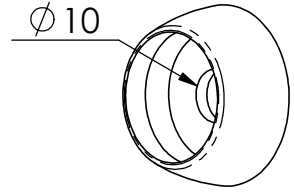
VGC



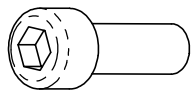
VCBHC



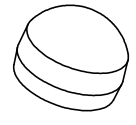
M10 440N



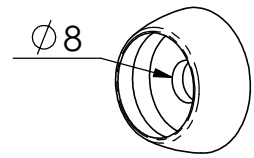
M10 310 N



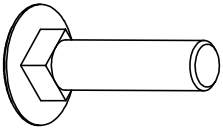
VBTR



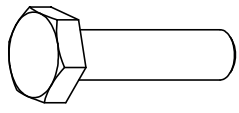
M8440N



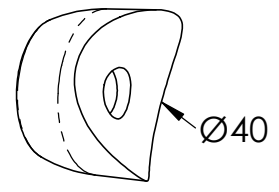
M8310N



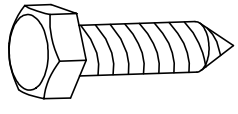
VTRCC



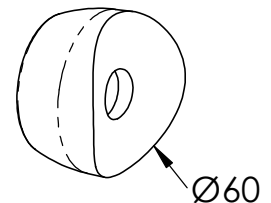
VTH



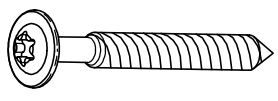
MI2503



VTF

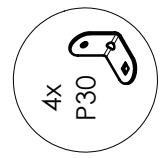
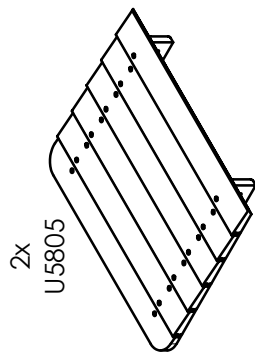
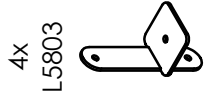
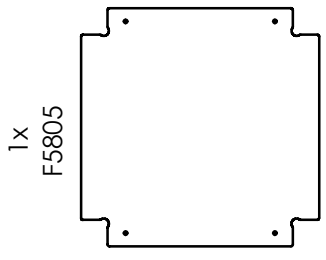
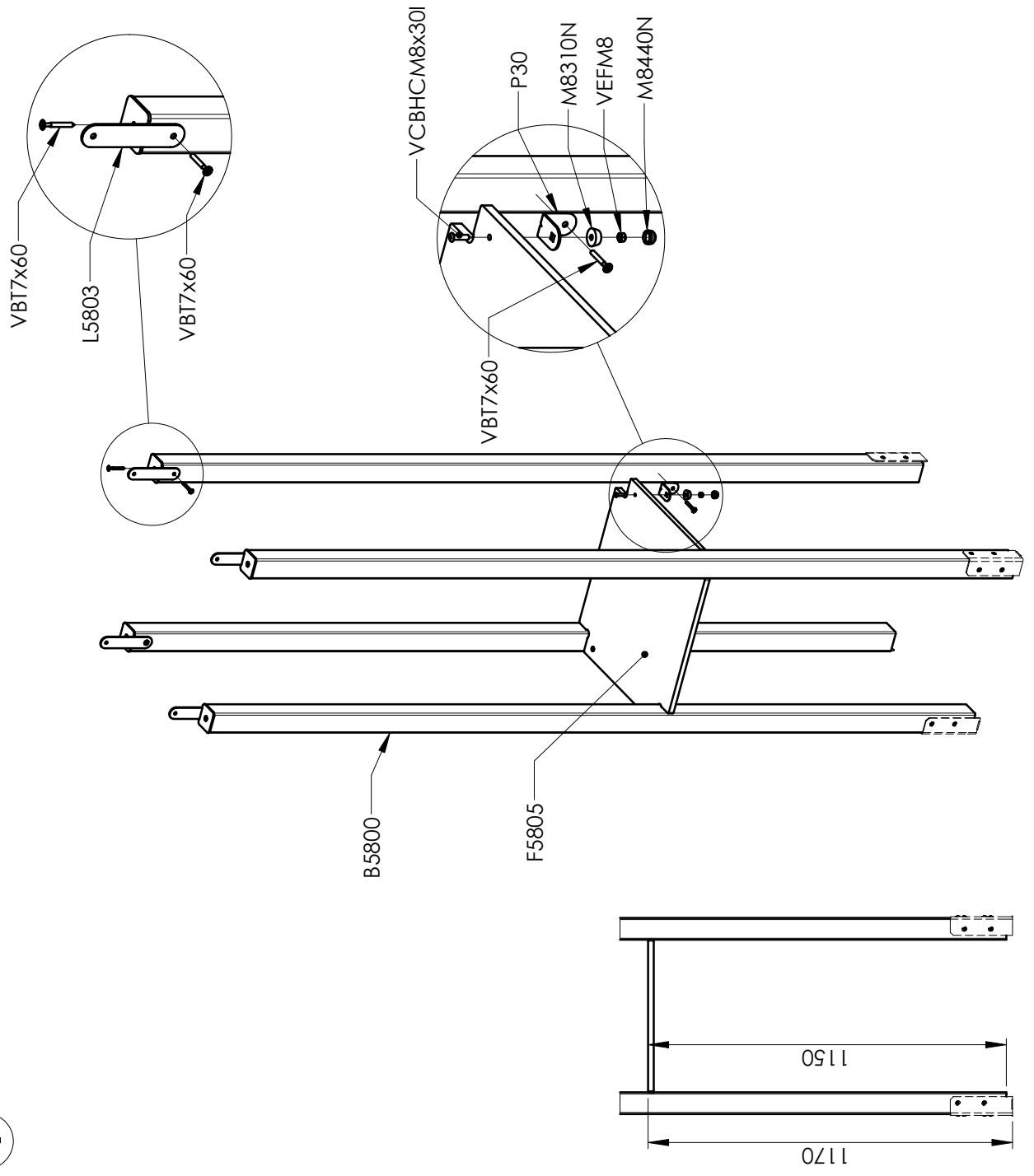


MI2701



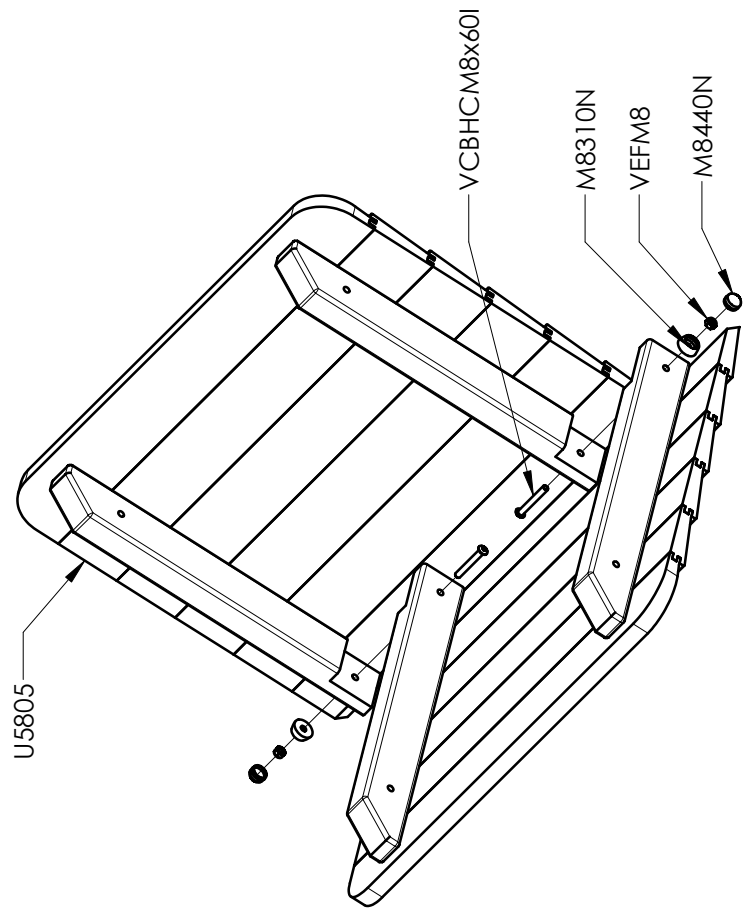
VBT

1

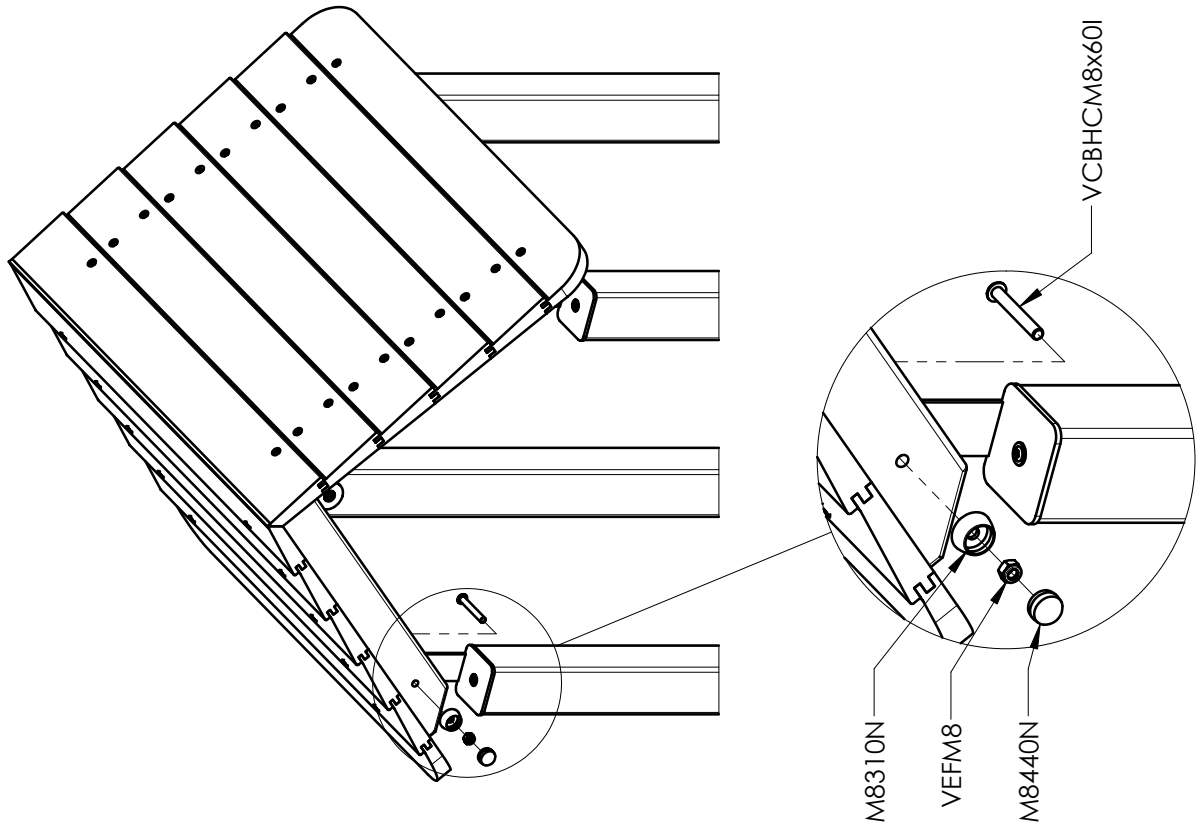


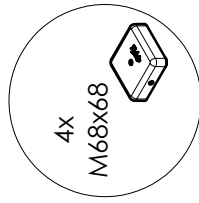
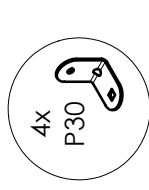
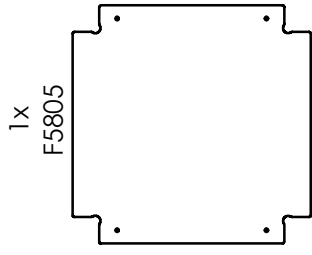
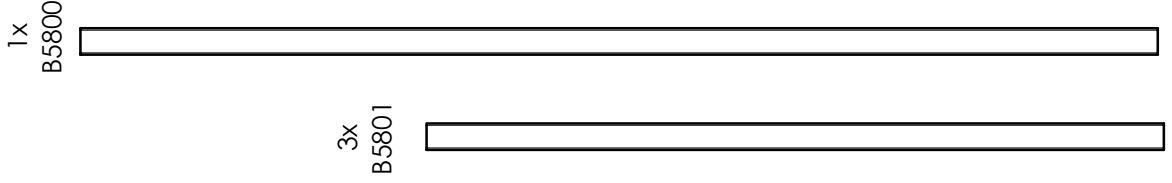
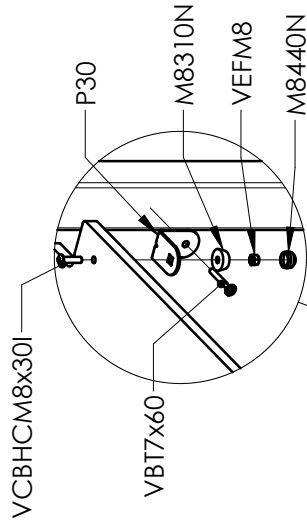
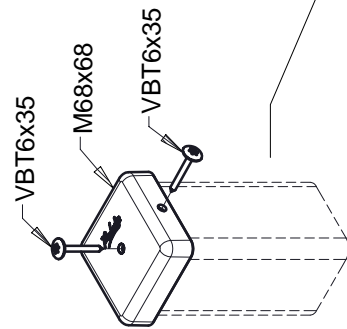
B5800	4
F5805	1
L5803	4
M8310N	10
M8440N	10
P30	4
U5805	2
VBT7x60	12
VCBHCM8x30I	4
VCBHCM8x60I	6
VEFM8	10

2

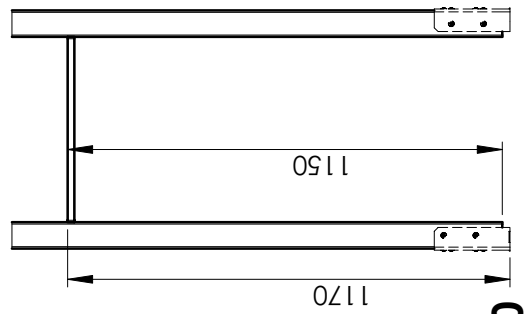
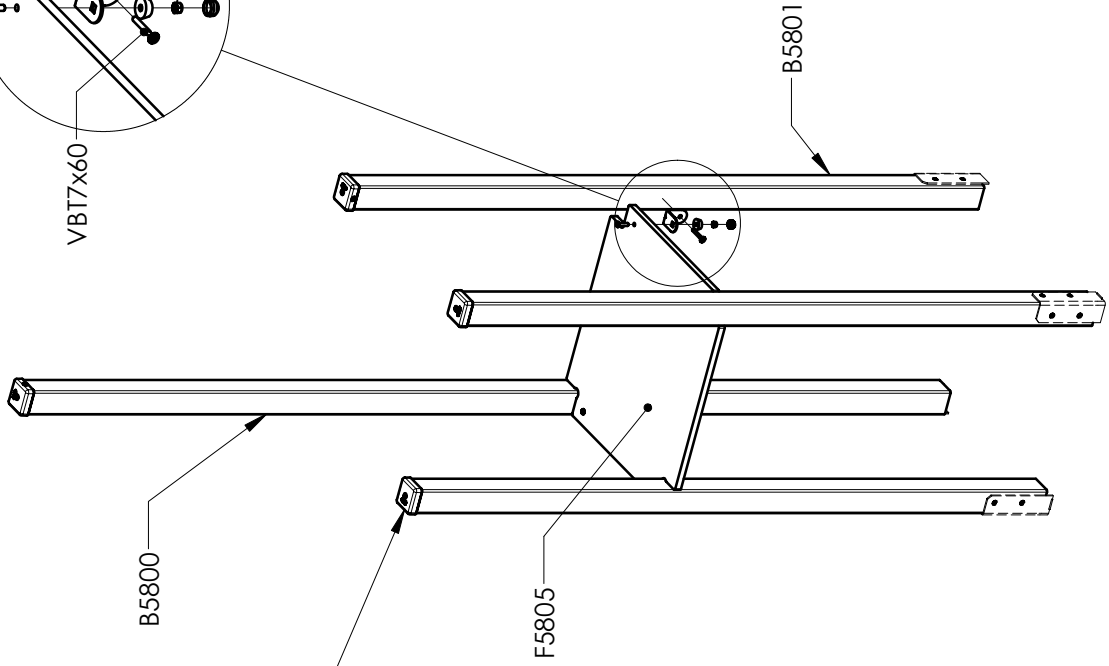


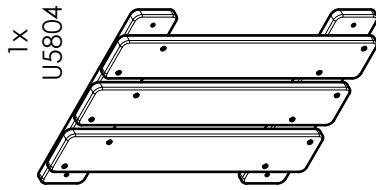
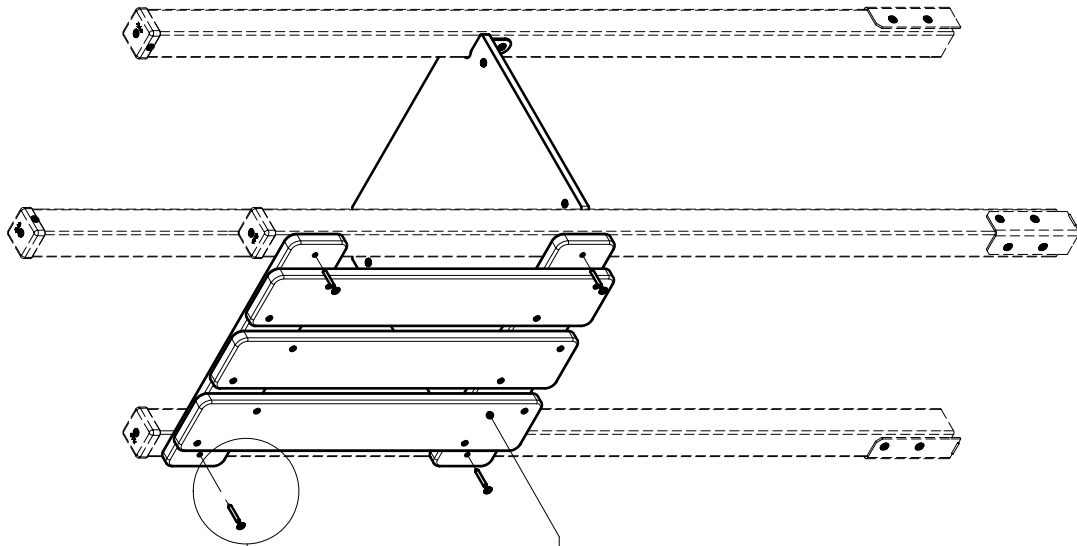
3





B5800	1
B5801	3
F5805	1
M68x68	4
M8310N	4
M8440N	4
P30	4
VBT6x35	8
VBT7x60	4
VCBHC8M8x30I	4
VEFM8	4

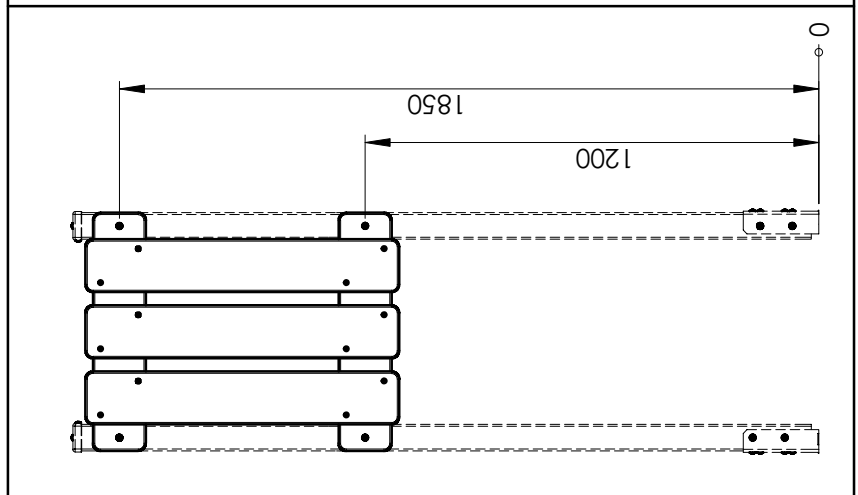
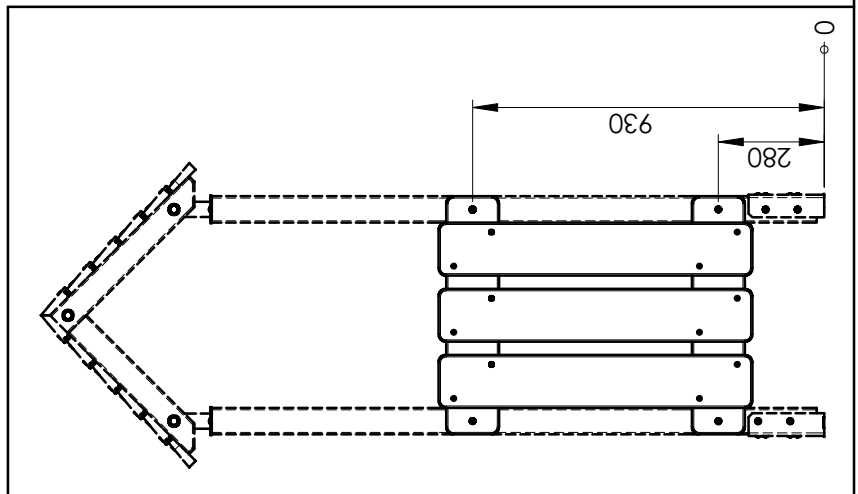




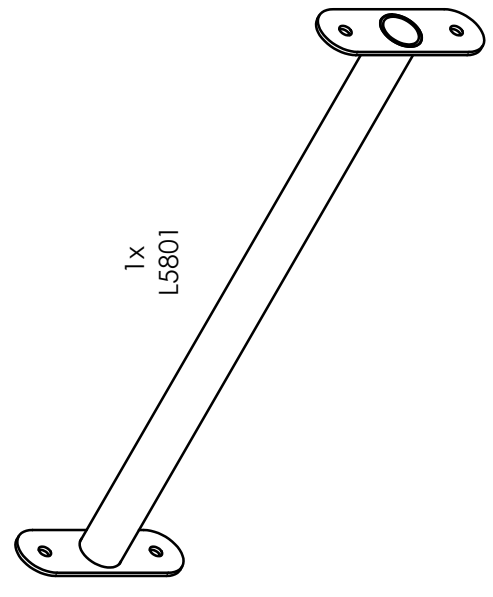
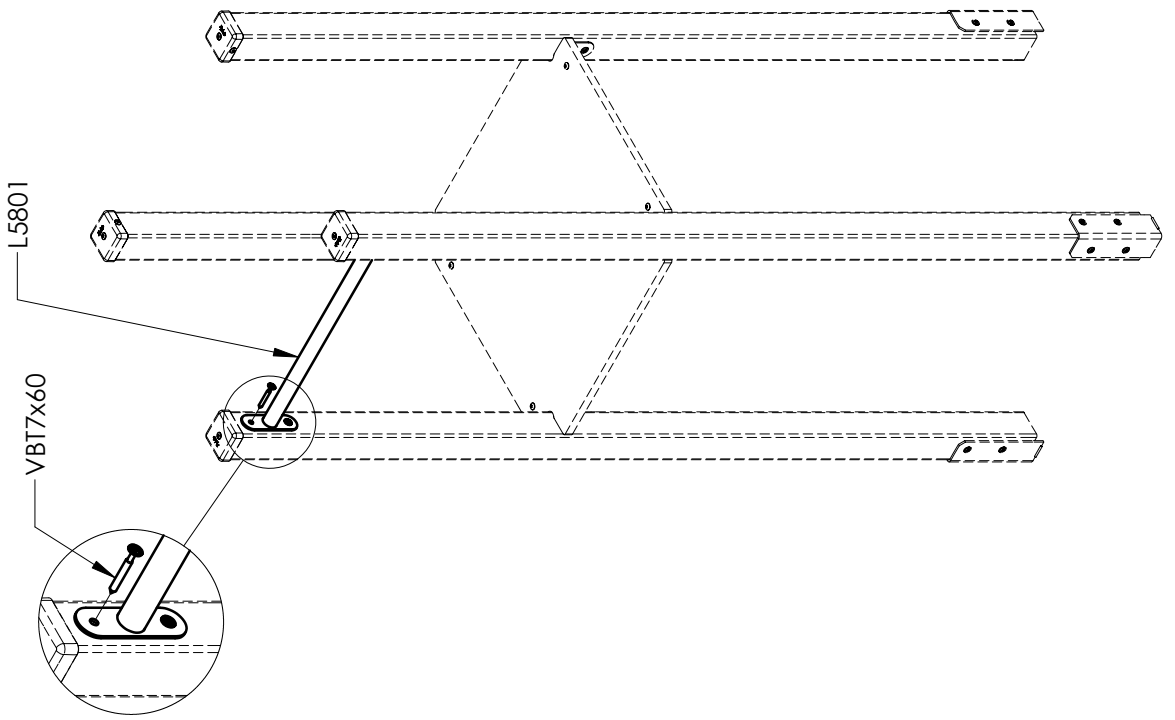
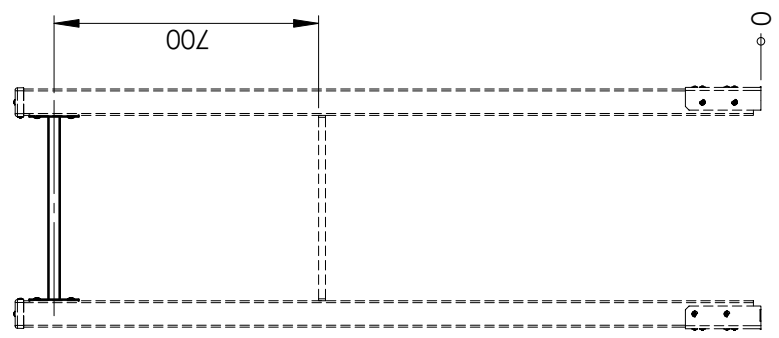
1 x
U5804

U5804

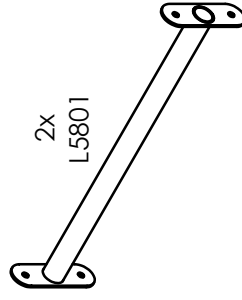
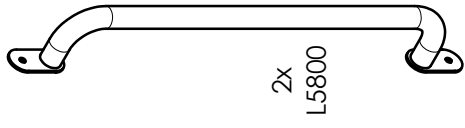
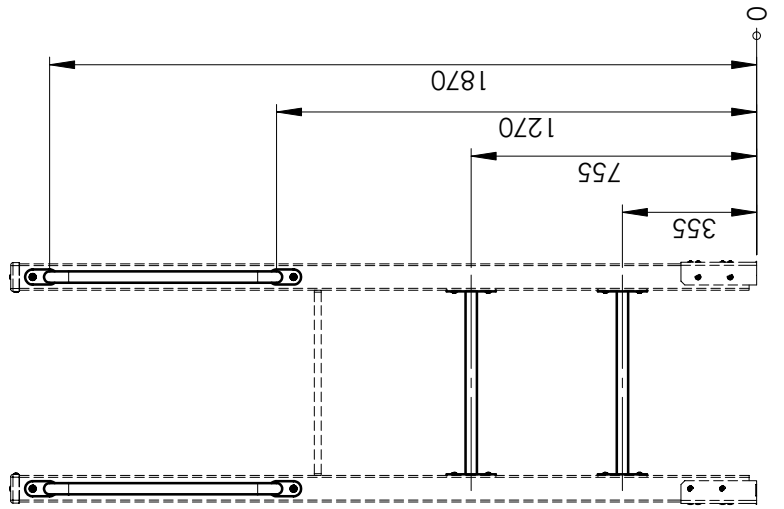
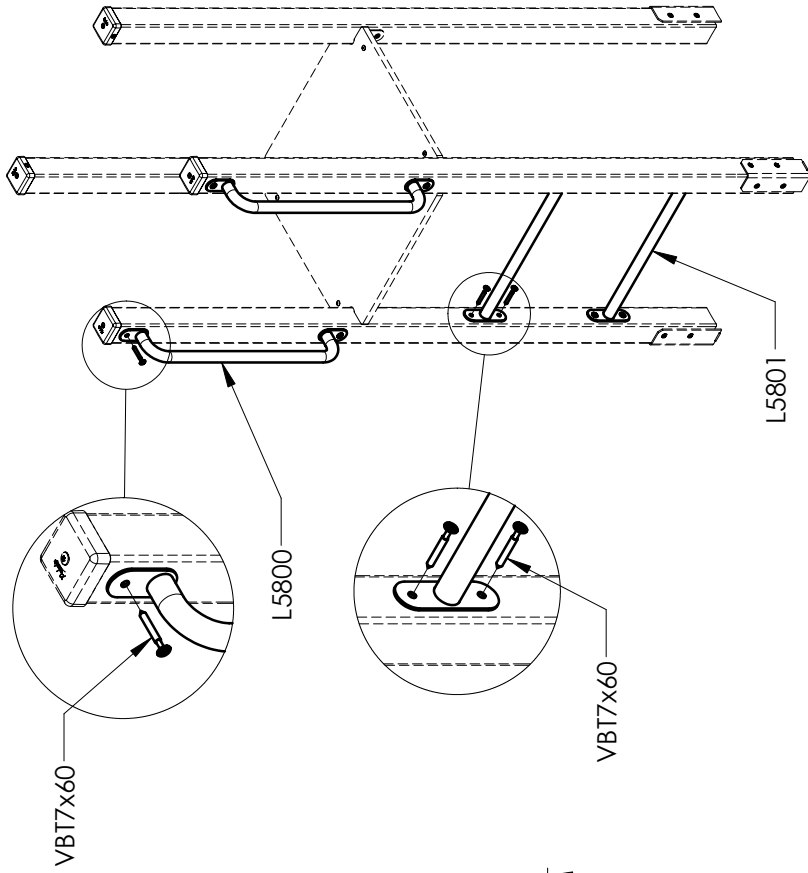
VB77x60



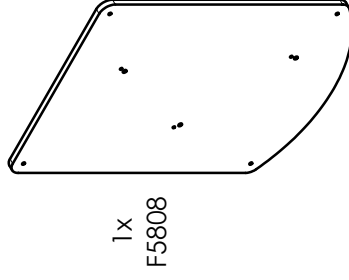
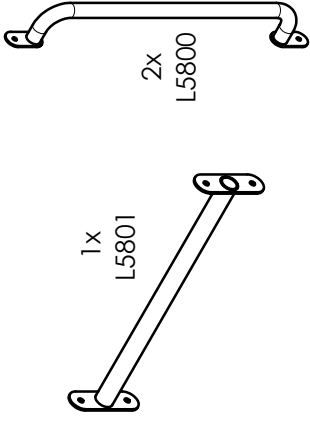
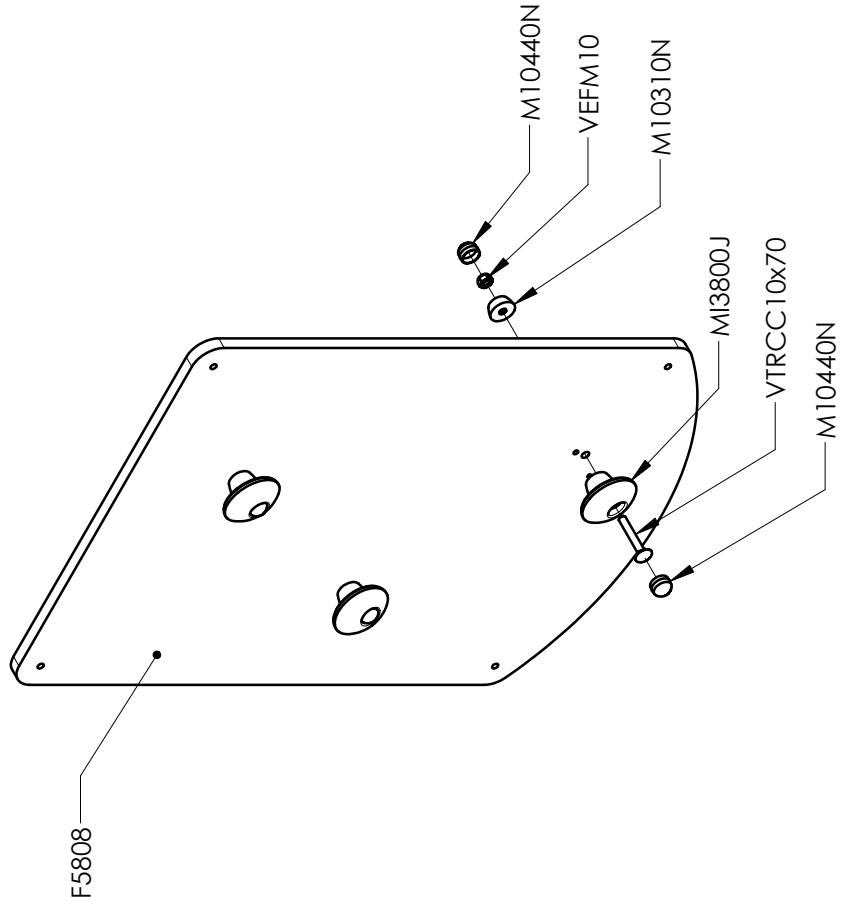
U5804	1	
VB77x60		4



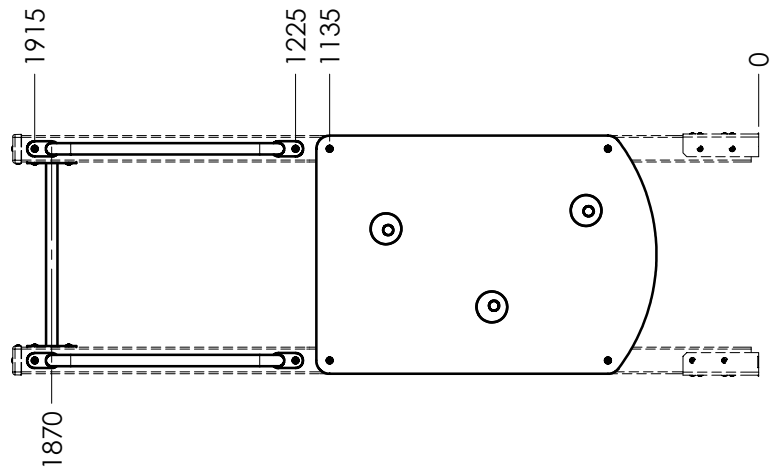
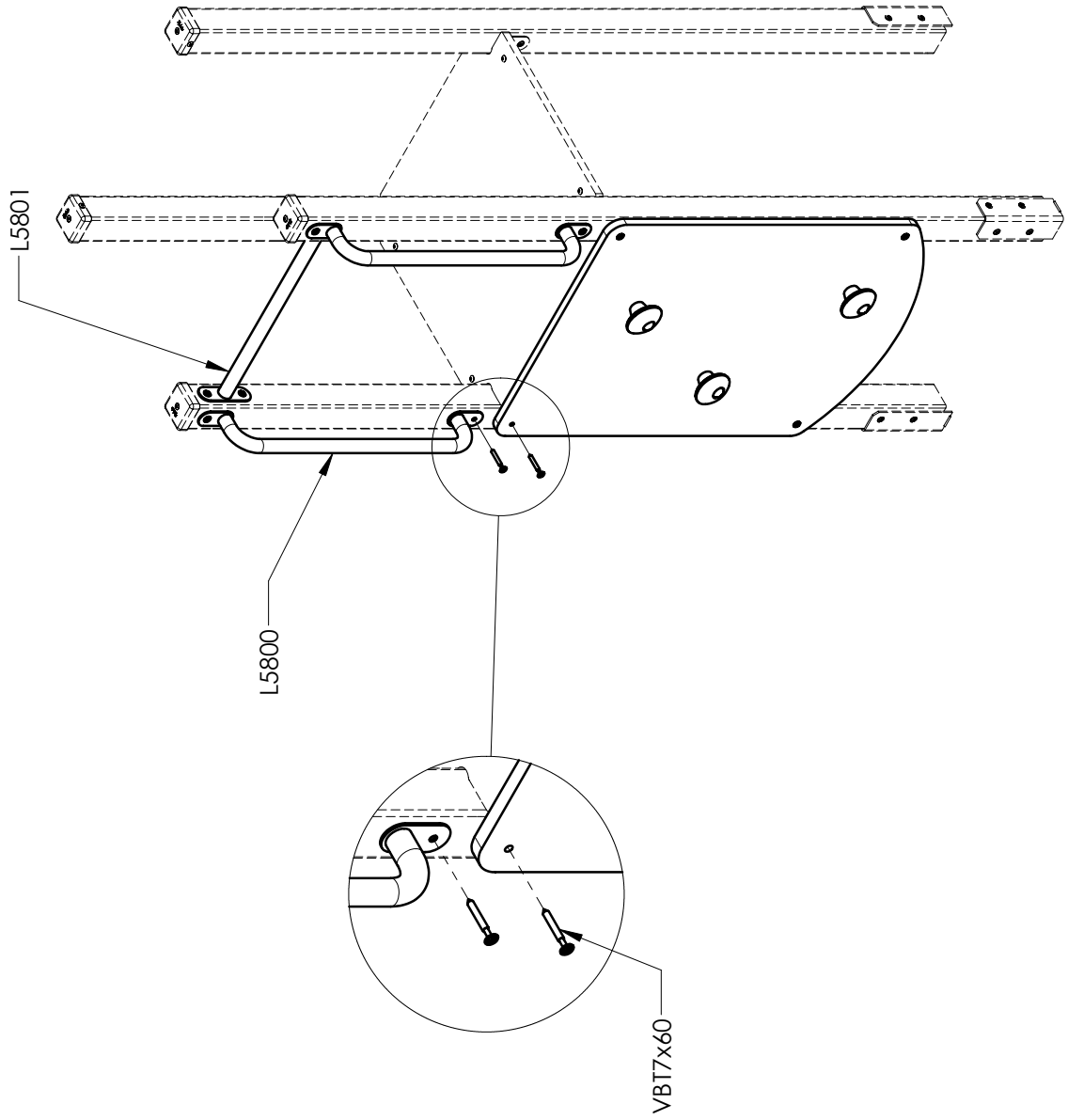
L5801	1	
VBT7x60		4

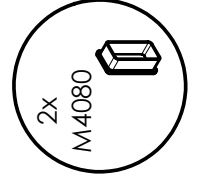
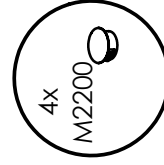
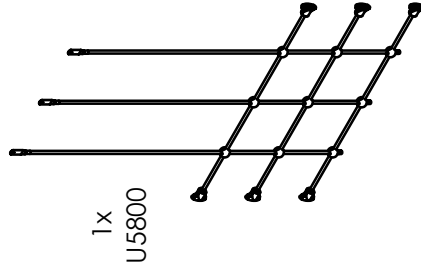
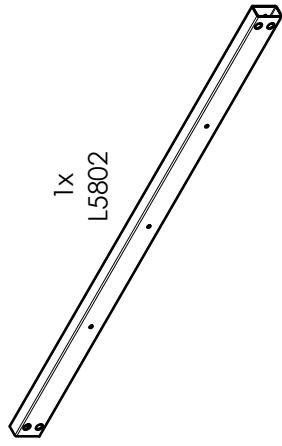
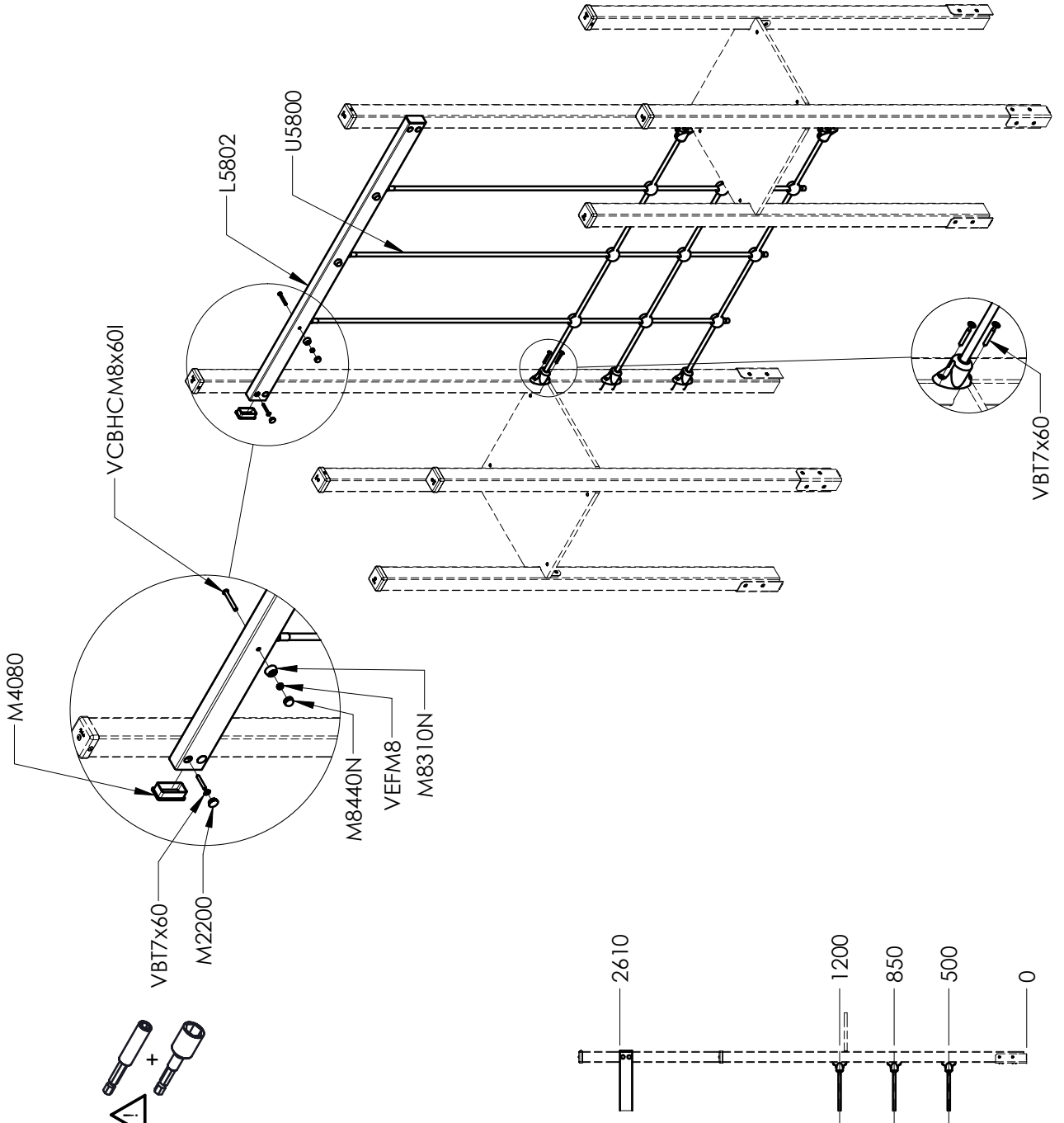
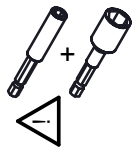


L5800	2
L5801	2
VBT7x60	12

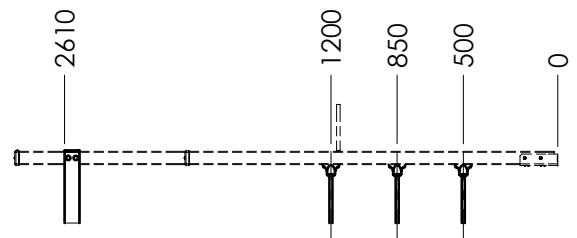


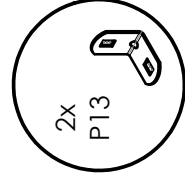
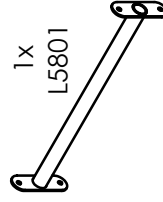
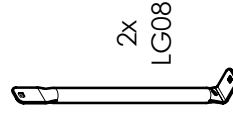
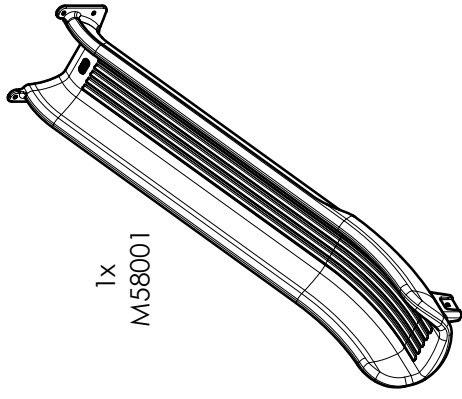
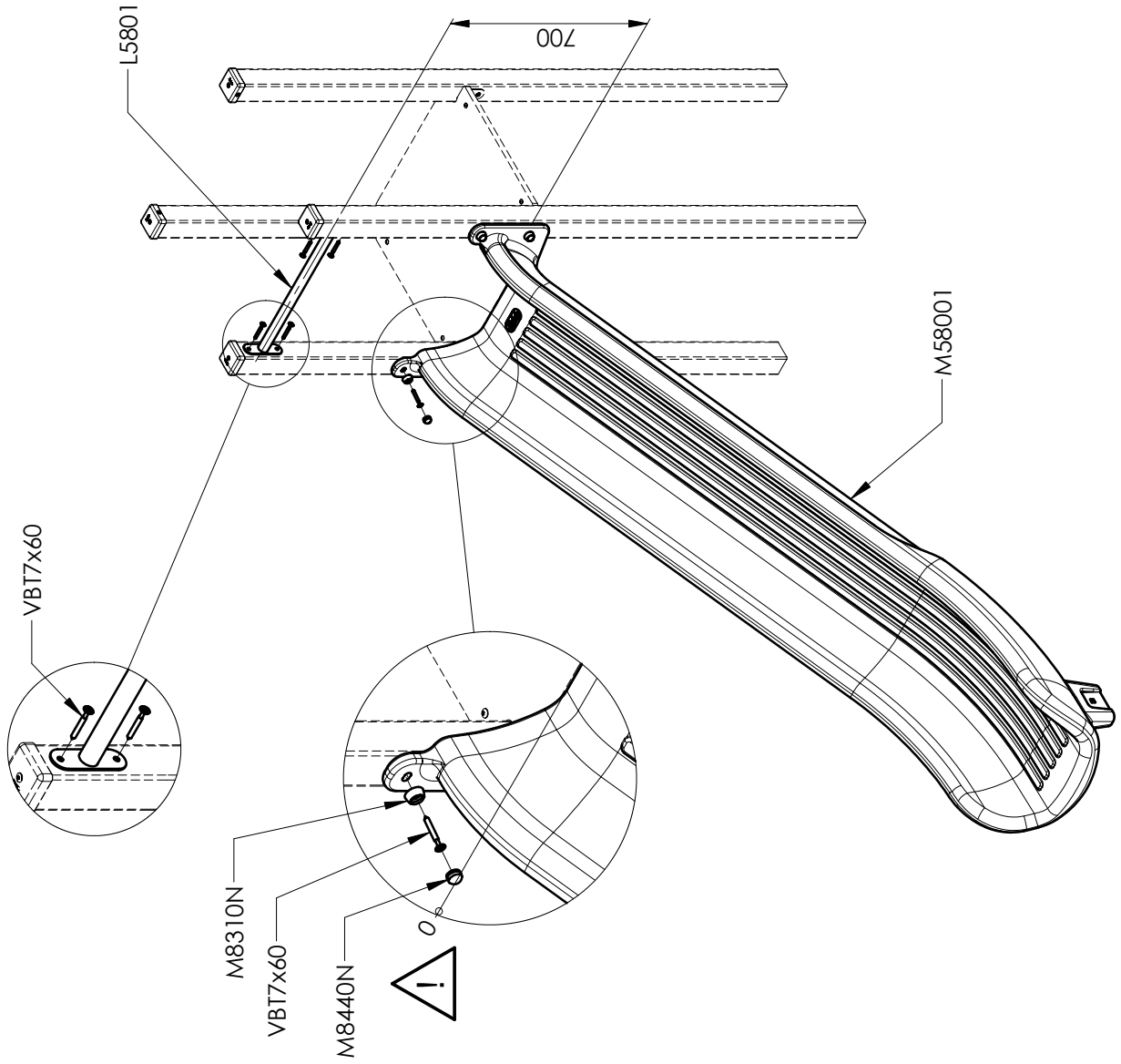
F5808	1
L5800	2
L5801	1
M10310N	3
M10440N	6
MI3800J	3
VB7x60	12
VEFM10	3
VTRCC10x70	3





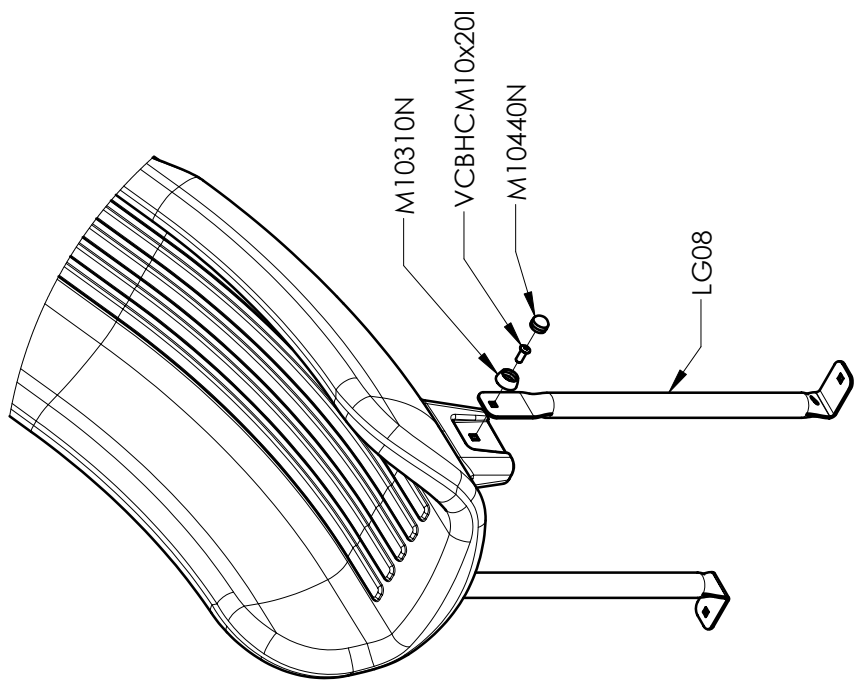
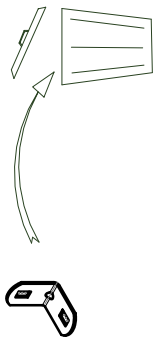
L5802	1
M2200	4
M4080	2
M8310N	3
M8440N	3
U5800	1
VBT7x60	16
VCBHCM8x60I	3
VEFM8	3



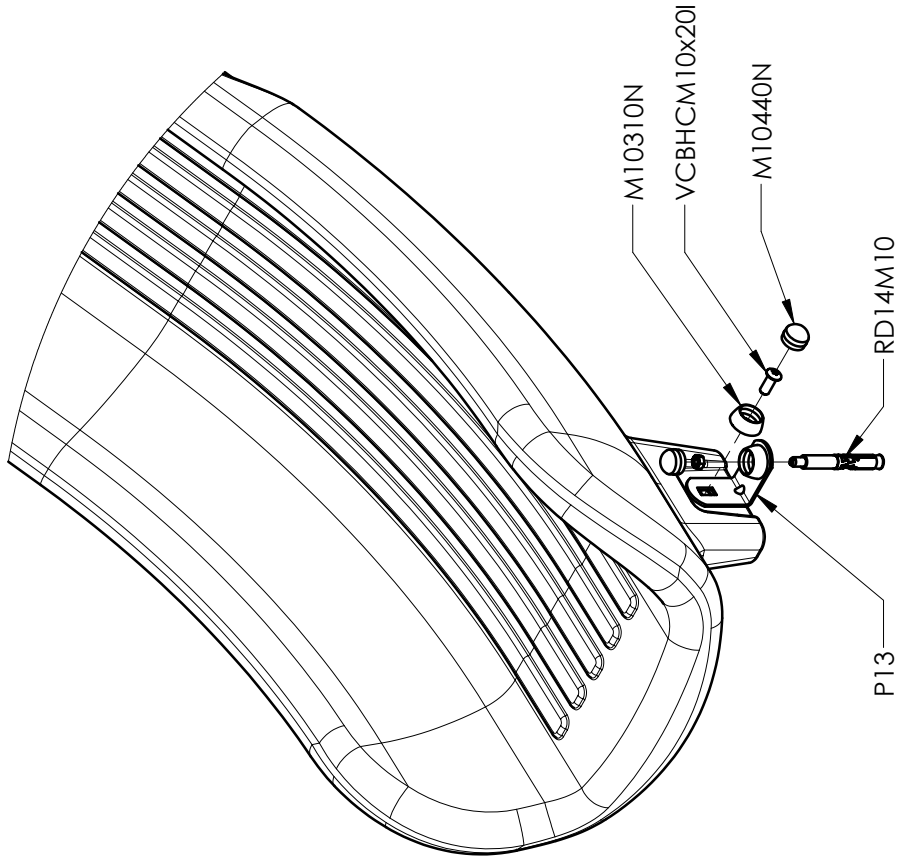
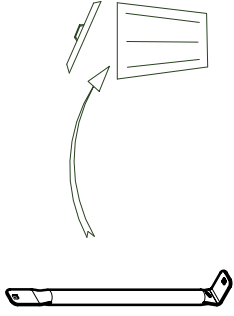


L5801	1
M8310N	4
M8440N	4
M10310N	2
M10440N	2
M58001	1
VBT7x60	8
VCBHC M10x20I	2

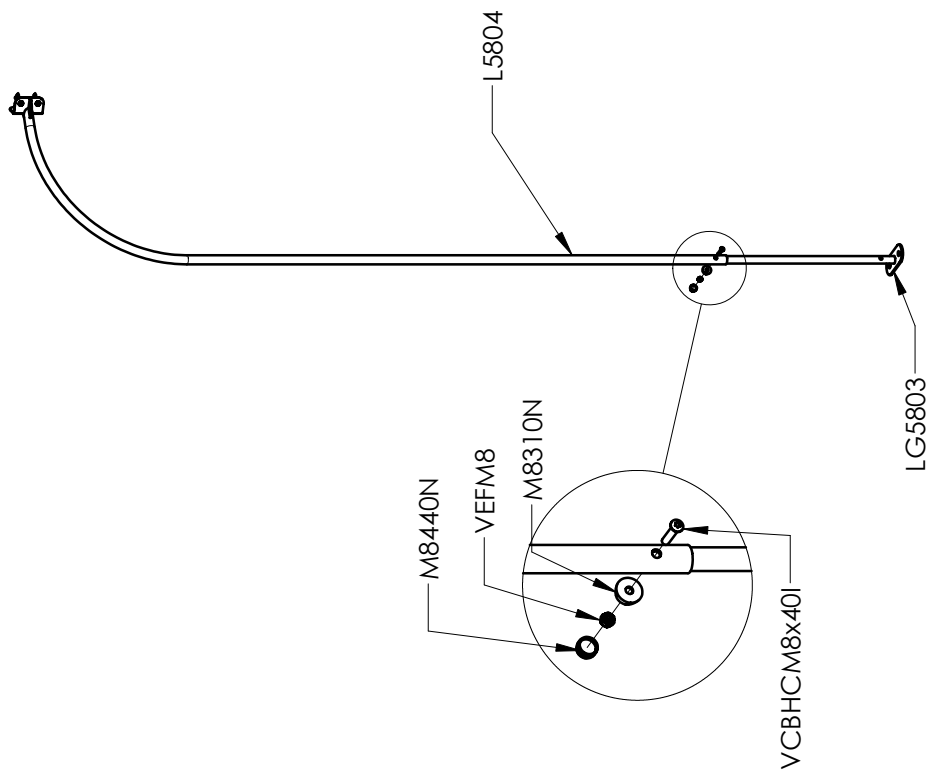
A



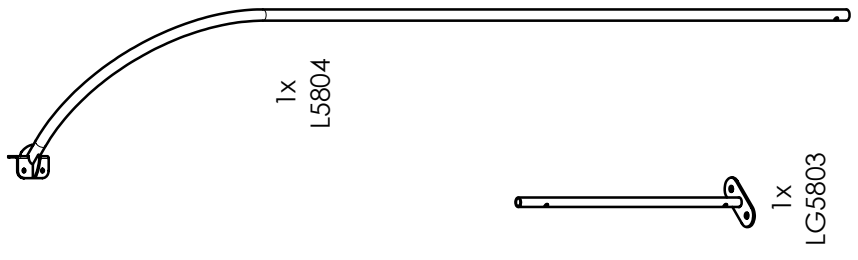
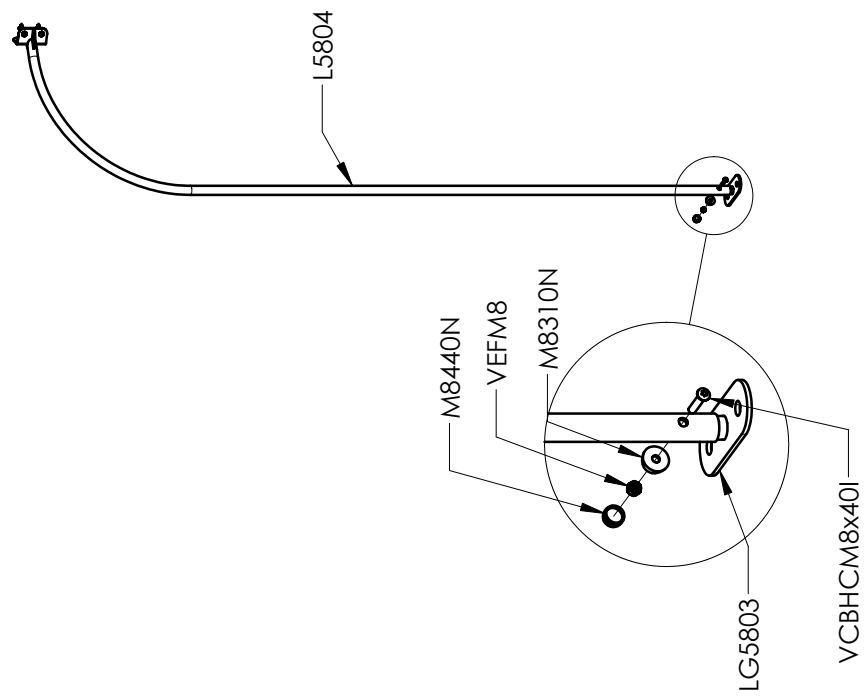
B



A



B



L5804	1
M8310N	1
M8440N	1
VB7x60	4
VCBHCM8x40I	1
VEFM8	1

