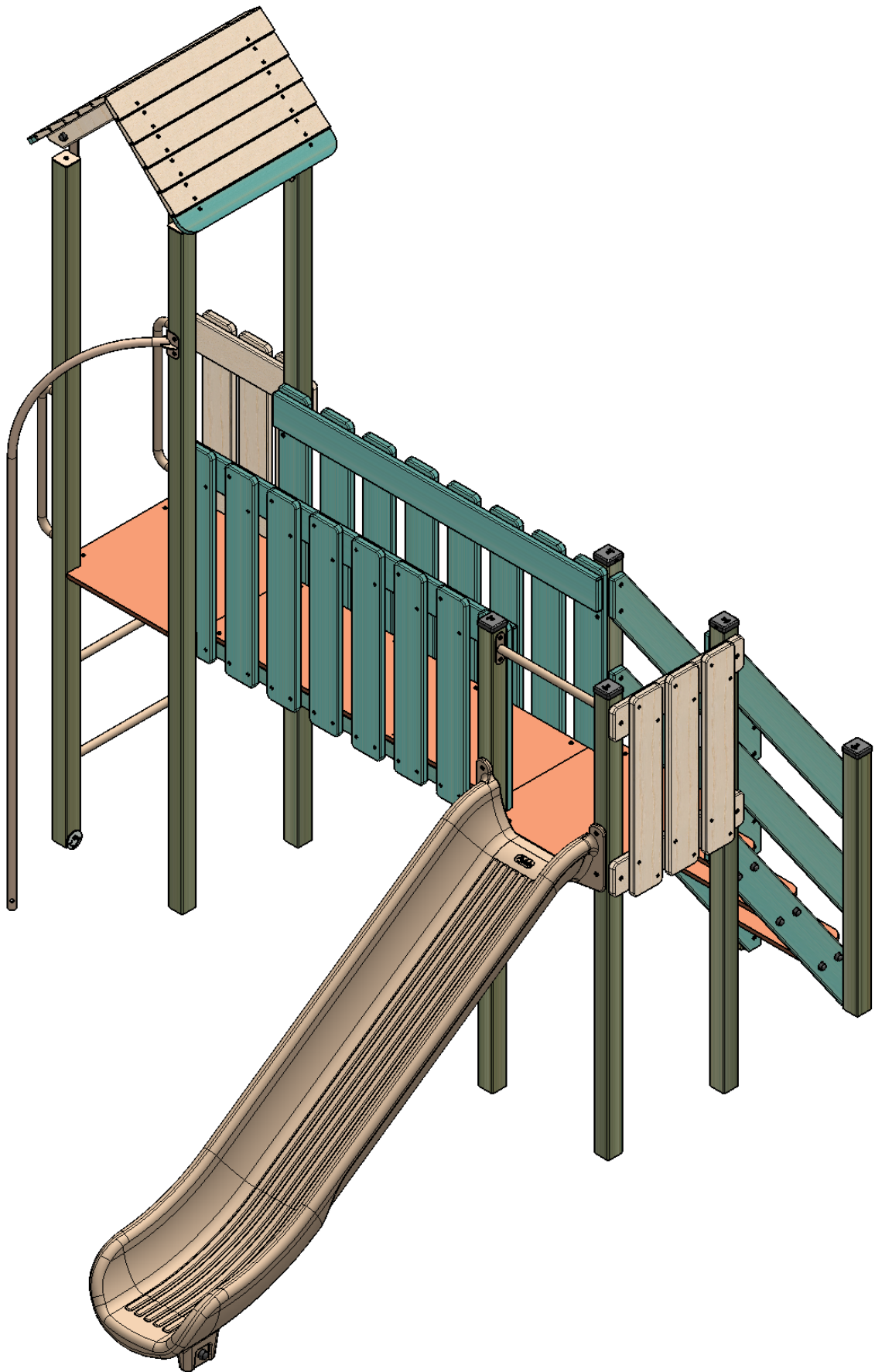
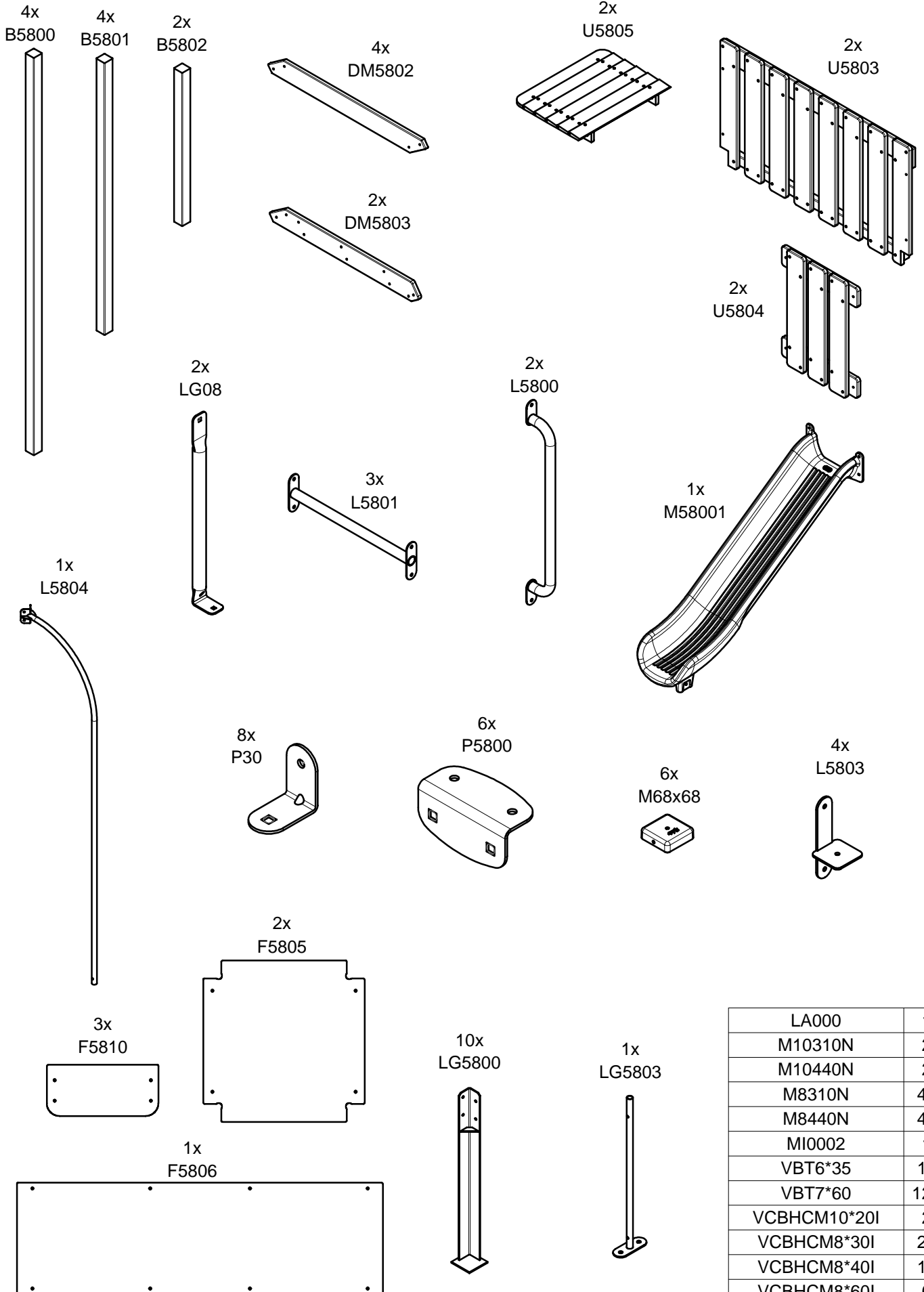


J5803

Proludic





LA000	1
M10310N	2
M10440N	2
M8310N	43
M8440N	43
MI0002	1
VBT6*35	12
VBT7*60	129
VCBHCM10*20I	2
VCBHCM8*30I	20
VCBHCM8*40I	13
VCBHCM8*60I	6
VEFM8	39



N°		
1	1 m	6 m ²
2	1.17 m	17 m ²
3	1.4 m	6.5 m ²

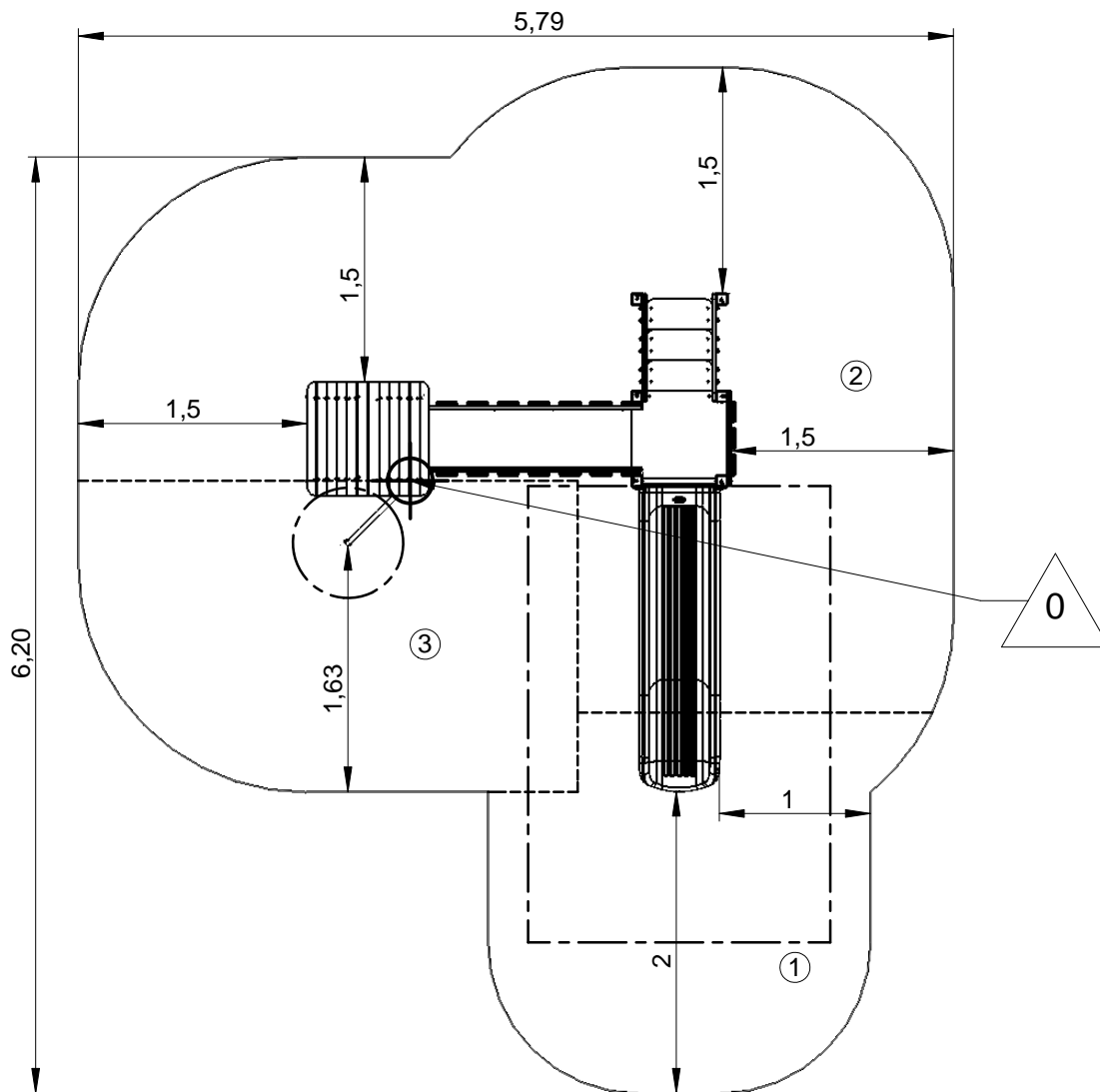
— Zone d'impact
Impact area
Area de impacto
Fallraum
Valzone

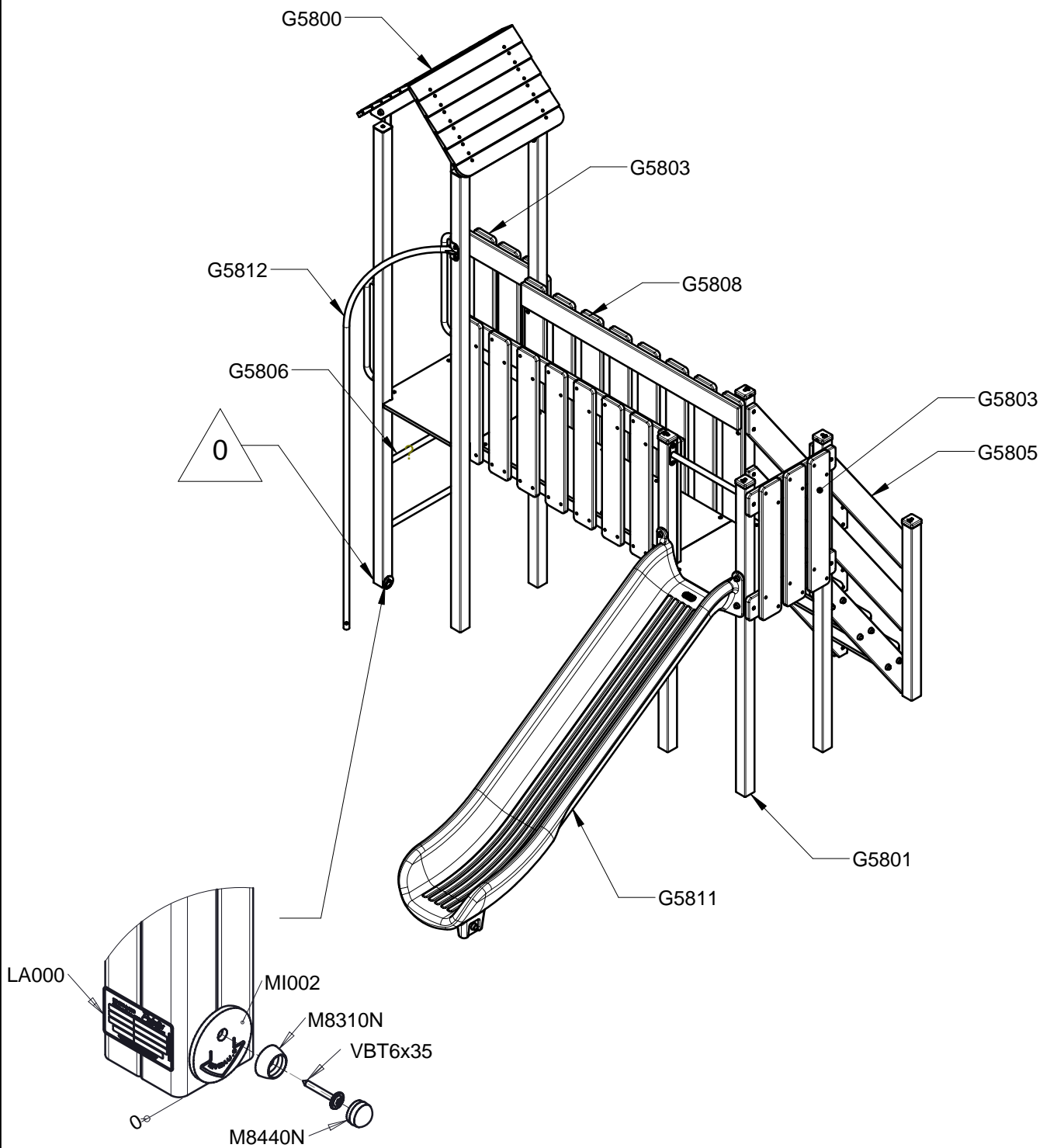


Point de référence
Setting out point
Punto de referencia
Bezugspunkt
Referentiepunt

- - - Espace libre
Free space
Espacio libre
Freiraum
Vrije ruimte

EN1176-1:2017
EN1176-3:2017

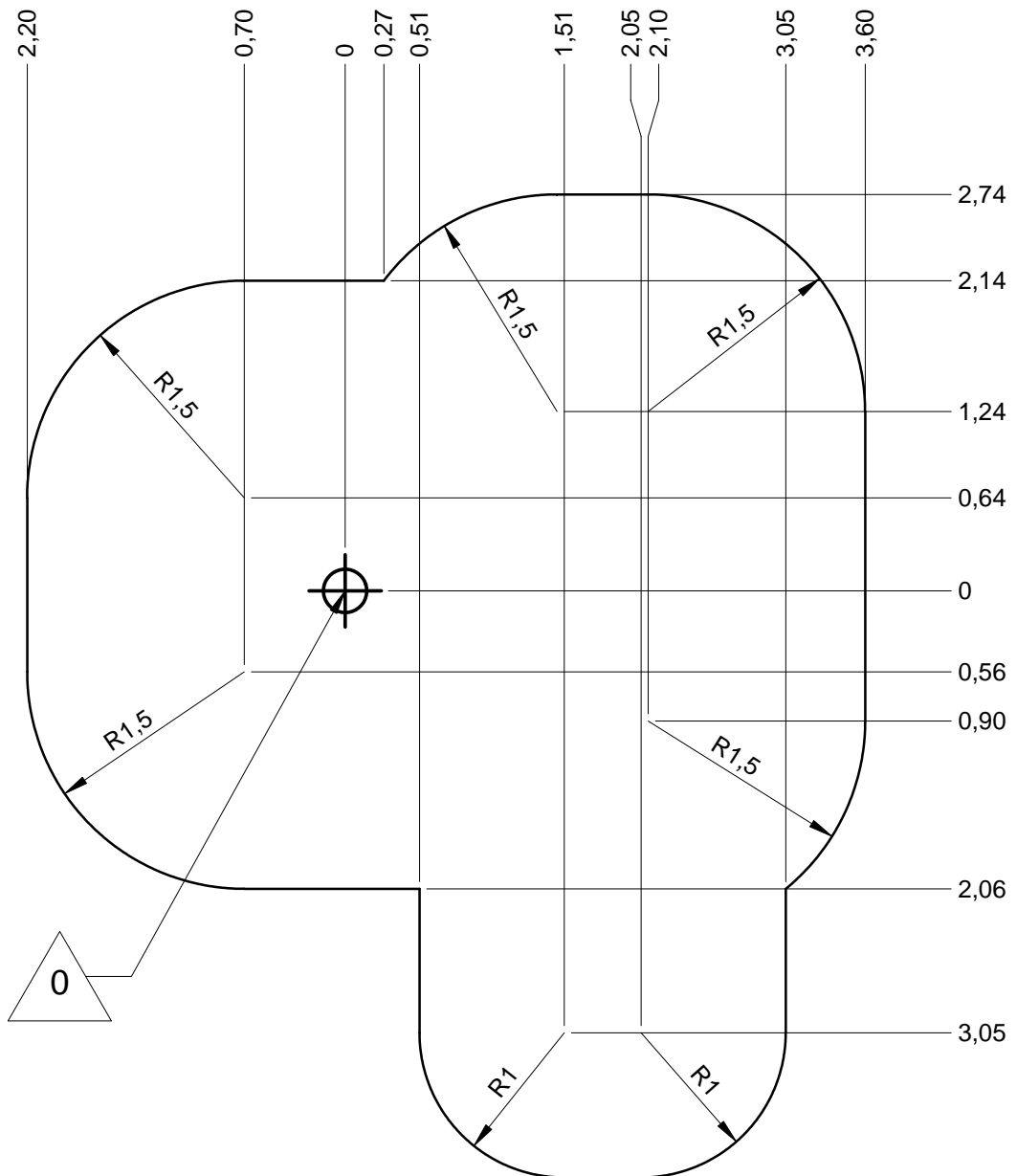




G5800	1
G5801	1
G5803	2
G5805	1
G5806	1
G5808	1
G5811	1
G5812	1

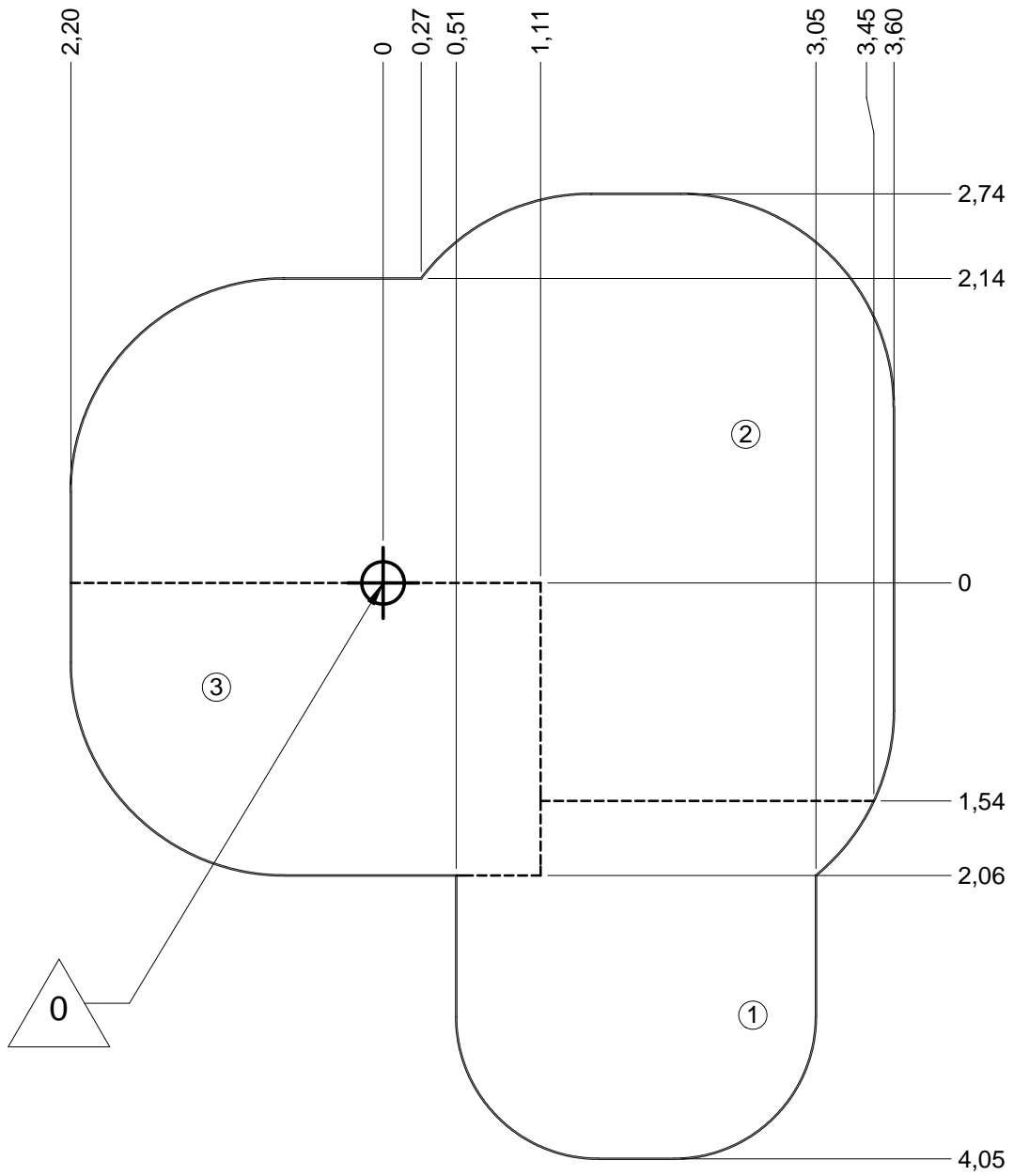
— Zone d'impact
 Impact area
 Area de impacto
 Fallraum
 Valzone

29.5 m²



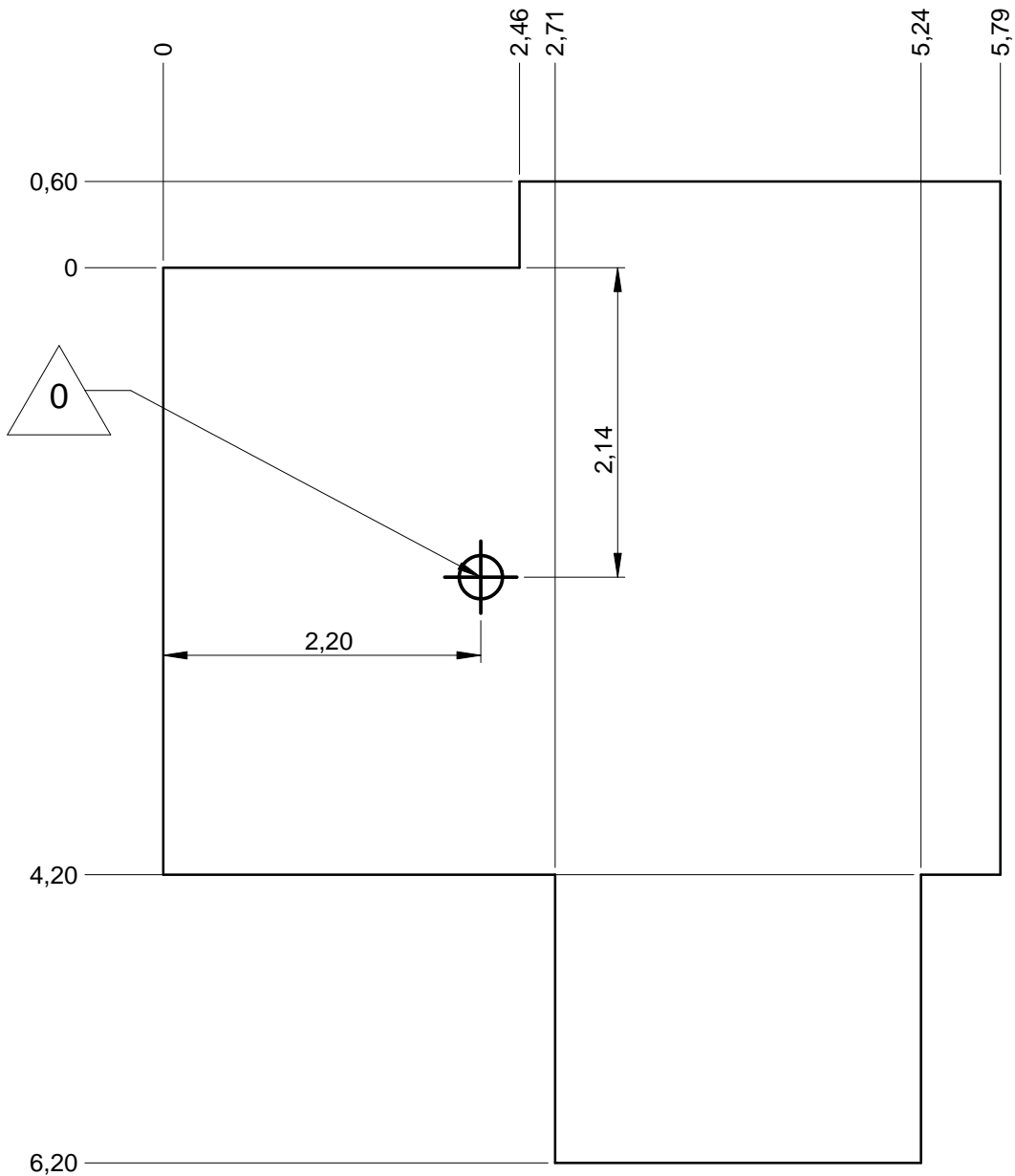
— Sol souple
 Wetpour
 Caucho continuo
 Synthetischer Fallschutz
 Gietvloer

29.5 m²

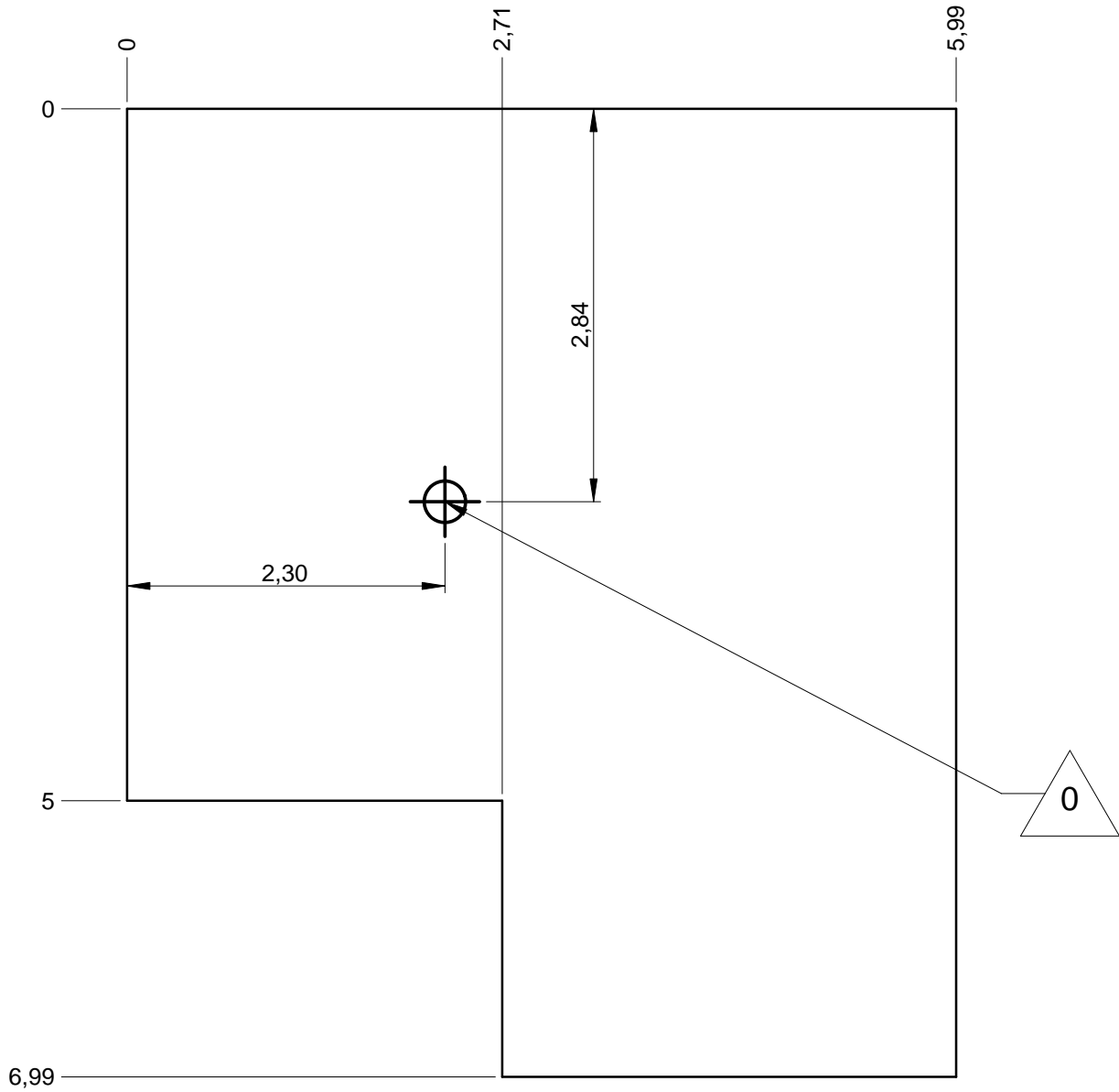


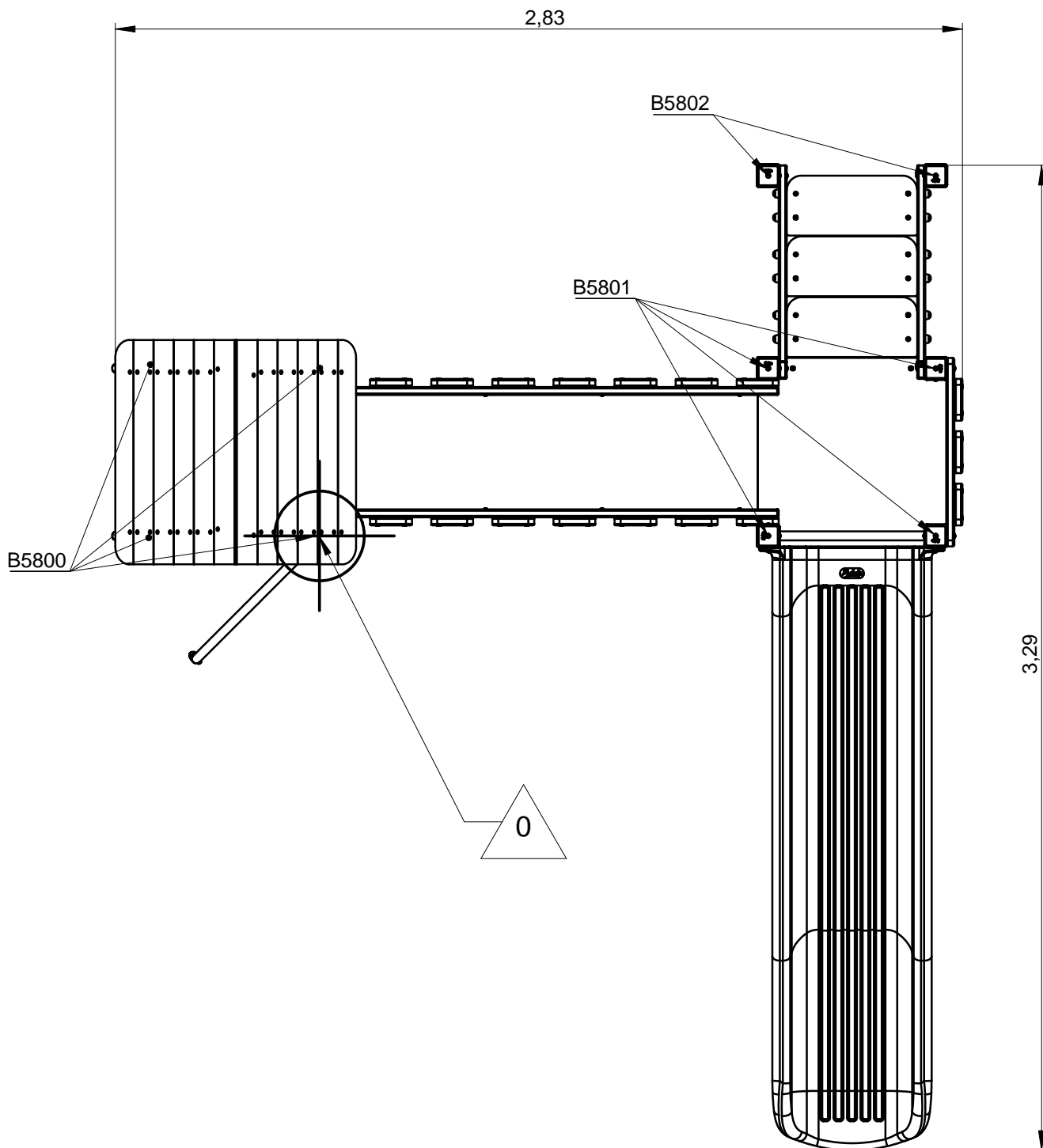
— Dalle béton
Concrete pad
Solera de hormigon
Beton Bodenplatte
Betonnen bodemplaat

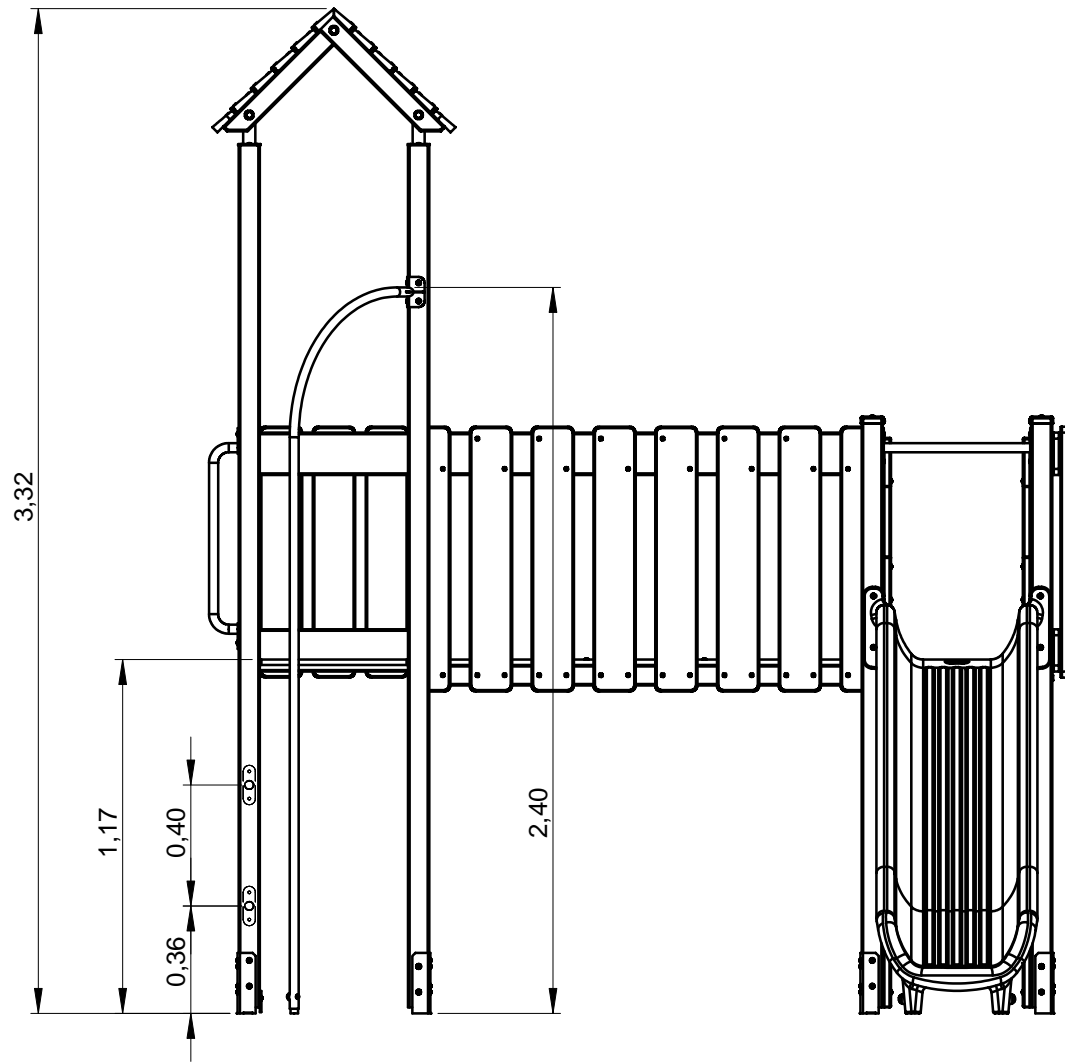
26 m
32 m²



— Sol fluent
Loos partucule material 27 m
Arenero
Loses Bodenmaterial 37 m²
Los bodemmaterial



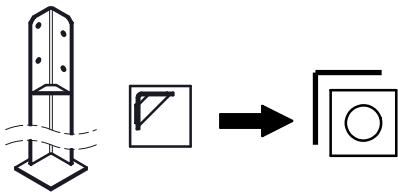
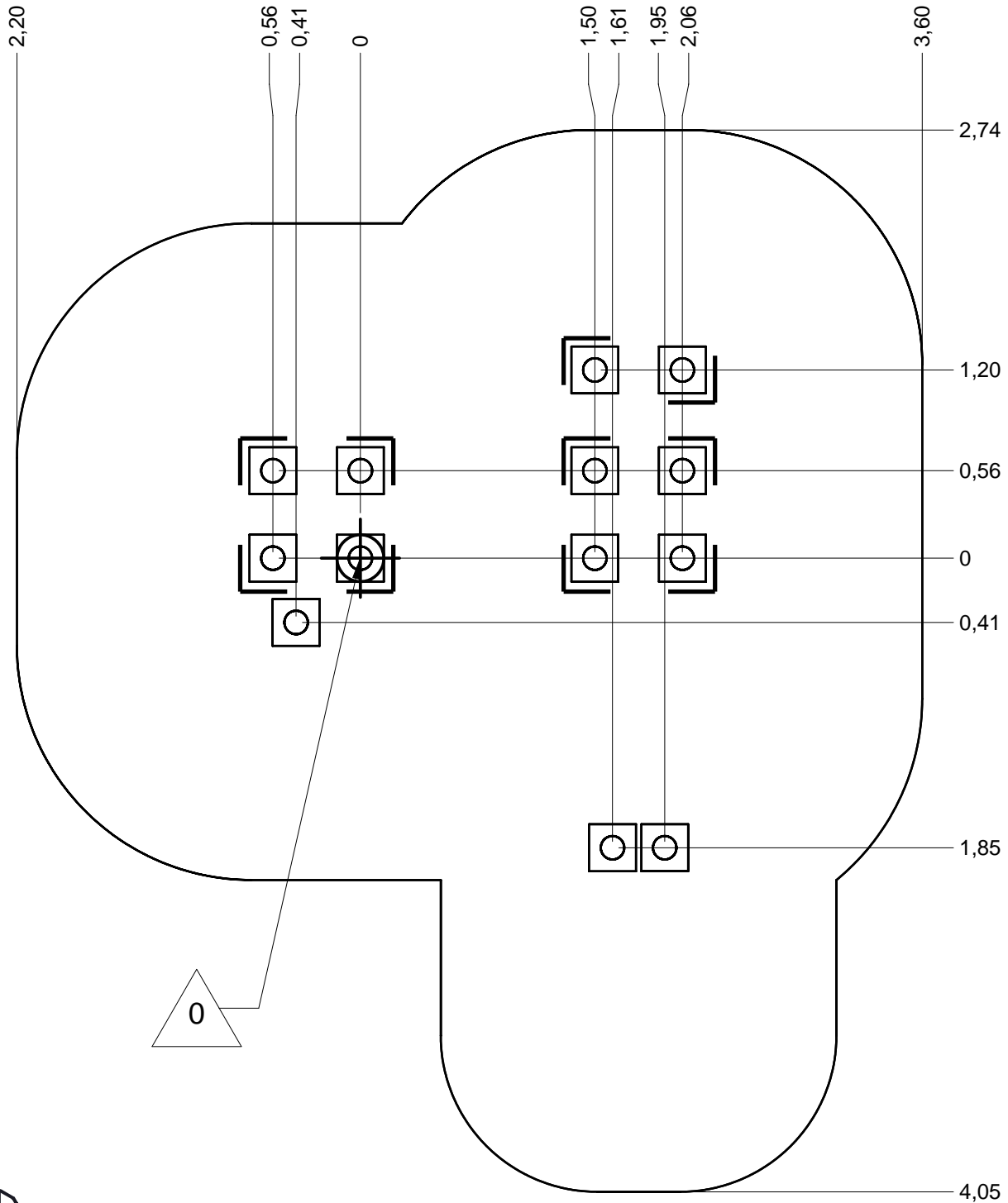




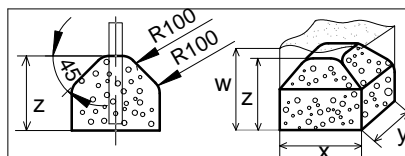
J5803A




ProLudic

Implantation
 Footing plan
 Implantación
 Fundamentplan
 Funderingstekening



 x2
 8H
 0.4 m³

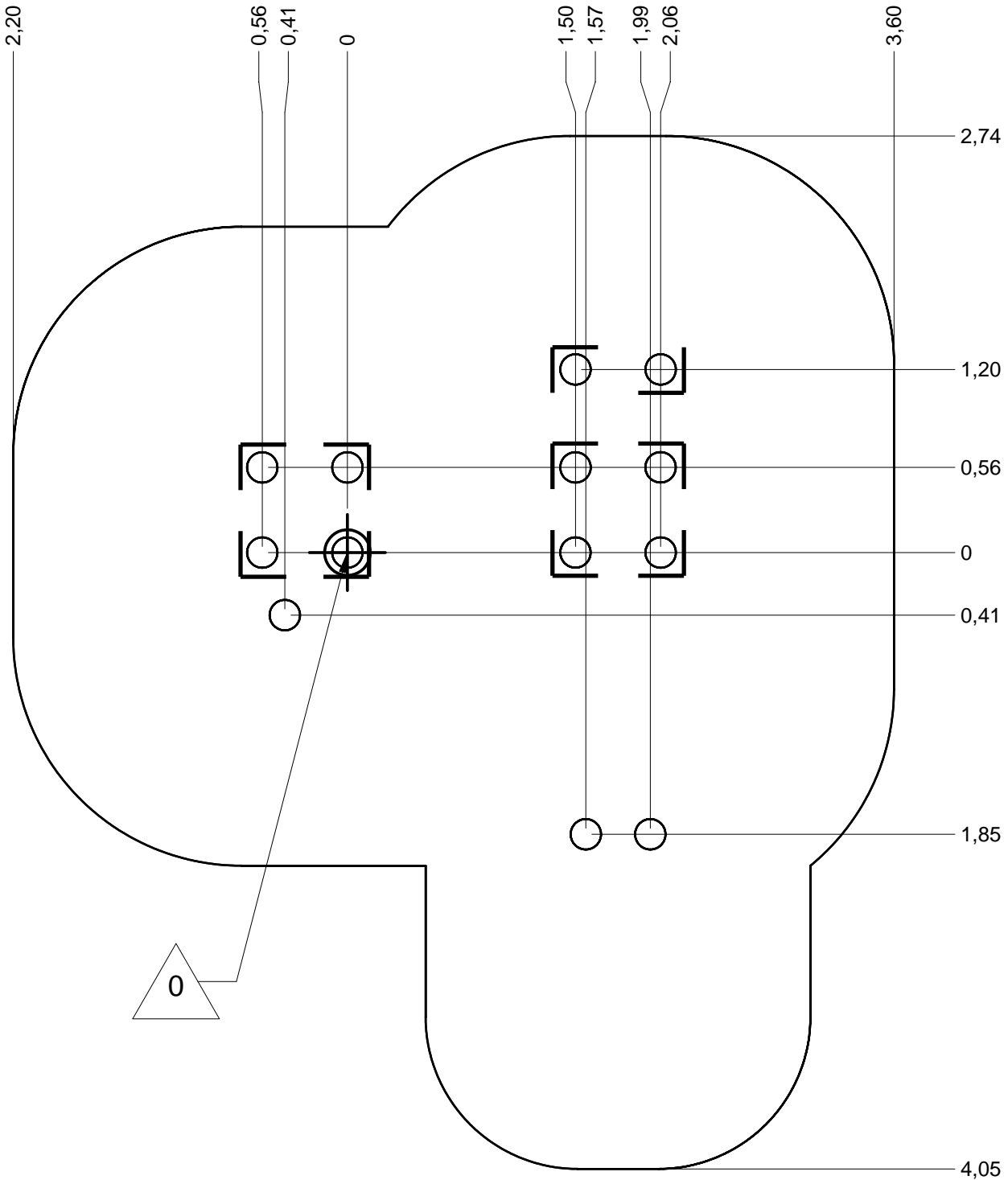




	x	y	z	w
	0.3	0.3	0.3	0.6
	0.4	0.4	0.3	0.6
	0.6	0.3	0.3	0.6

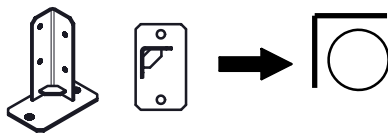
J5803B

Proludic

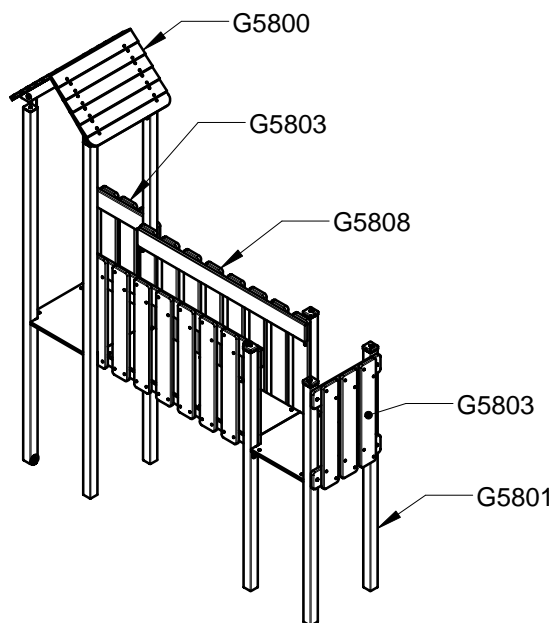
Implantation
Footing plan
Implantación
Fundamentplan
Funderingstekening



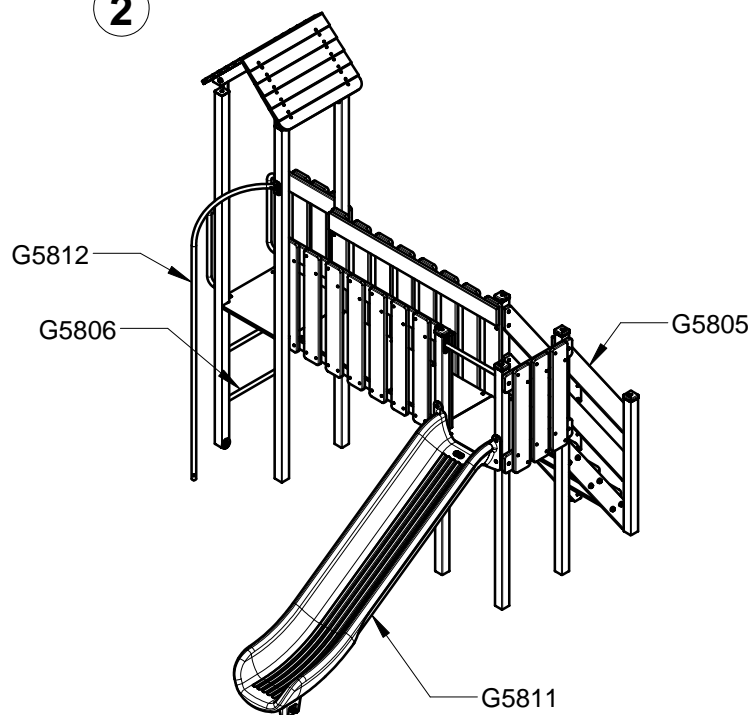
 x2	 8H	 RD14M10
---	--	---



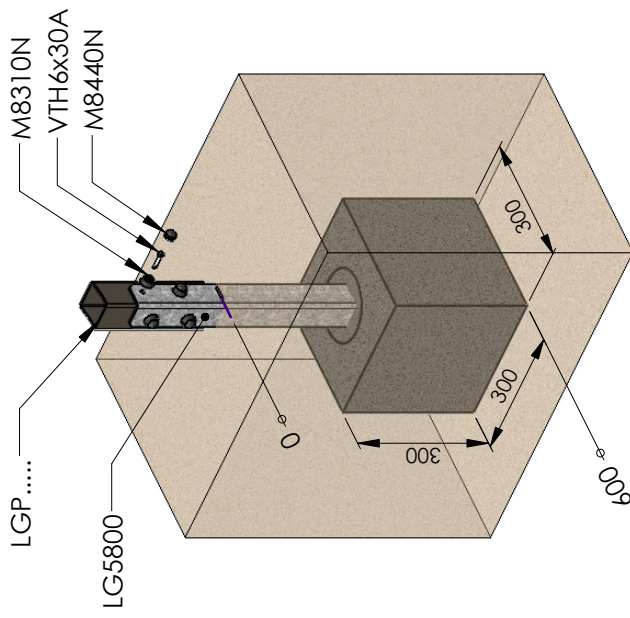
1



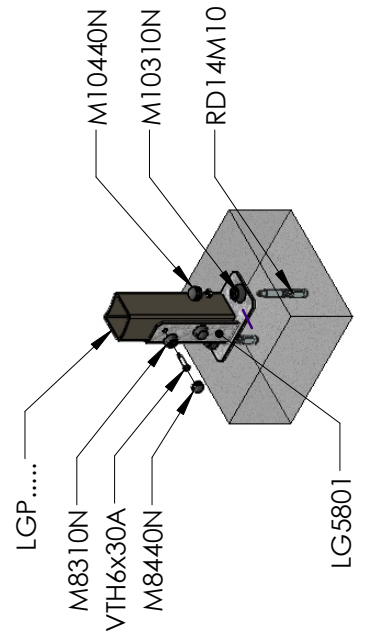
2



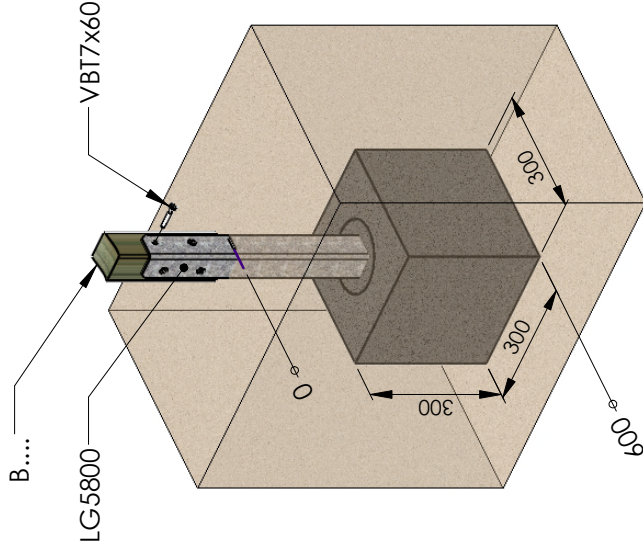
LGP.... A



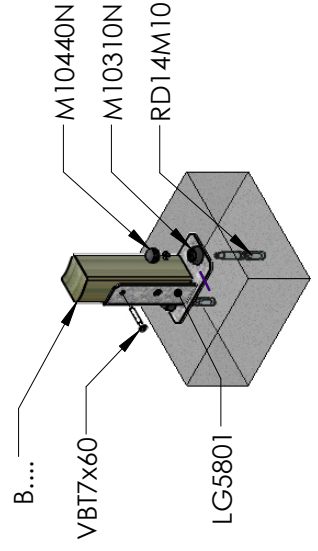
LGP.... B



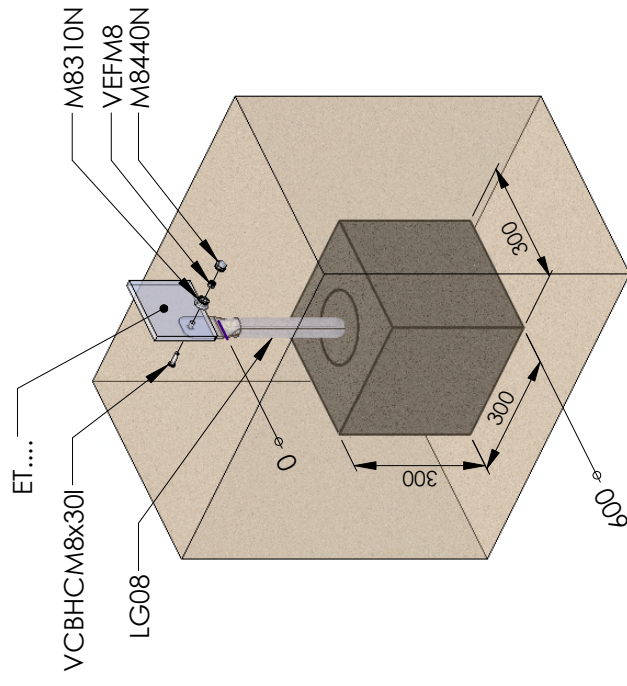
B.... A



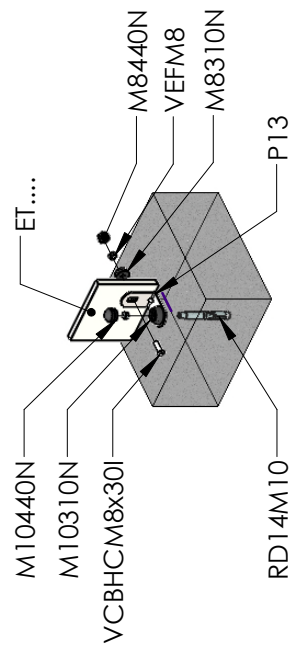
B.... B



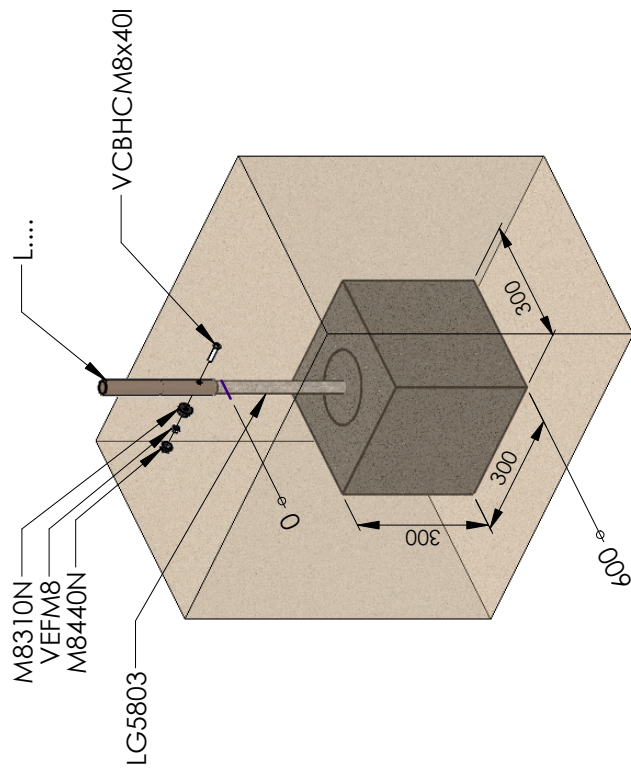
ET.... A



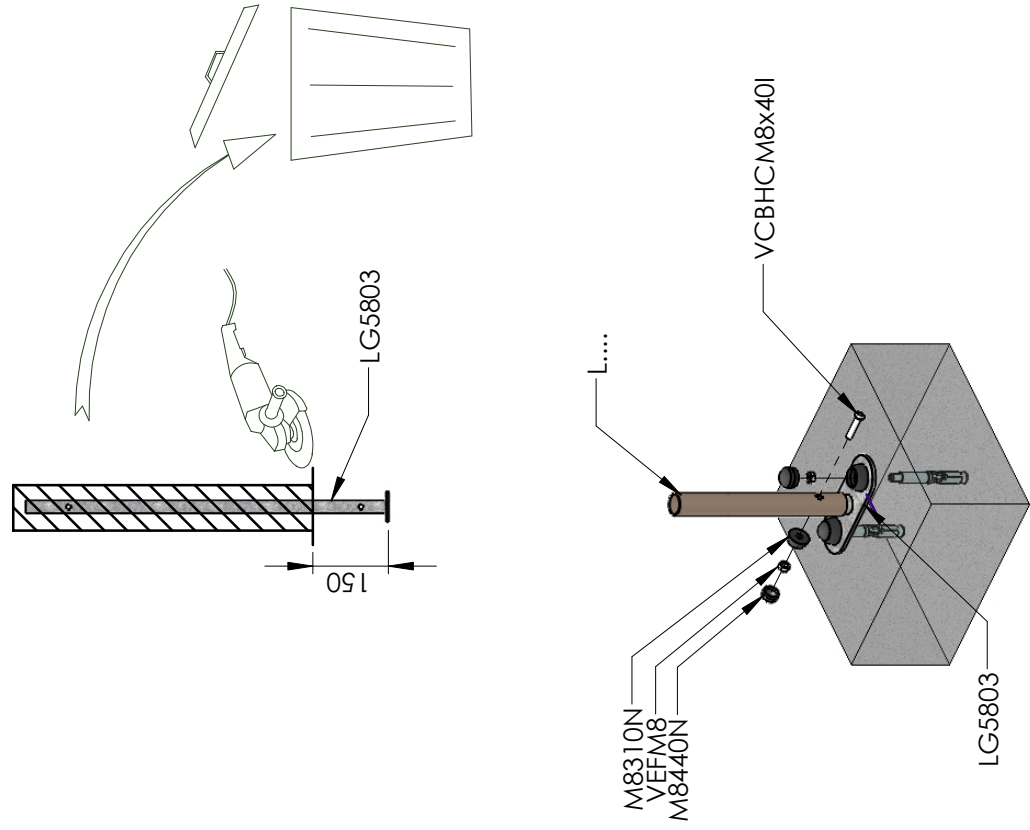
ET.... B

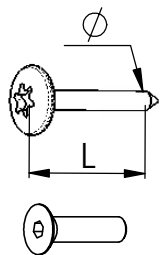


L.... A



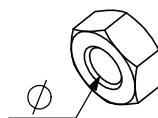
L.... B





VBT 6 x 30
 \varnothing L (mm)

VFHC



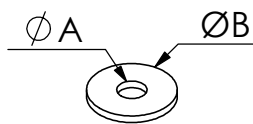
VEC M10
 \varnothing




VEF




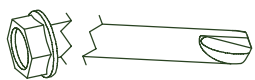
VEB



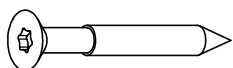
VR6x18
 $\varnothing A$ $\varnothing B$



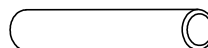
1000 - 1800 RPM
 Vitesse de rotation
 Rotation speed

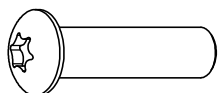
< 14 N.m
 Couple de rupture
 Breakage torque



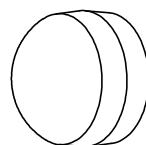
VWT



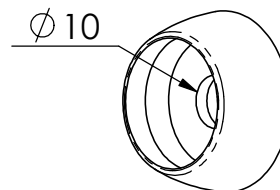
VGC



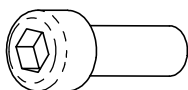
VCBHC



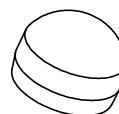
M10 440N



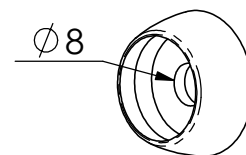
M10 310 N



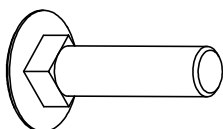
VBTR



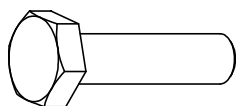
M8440N



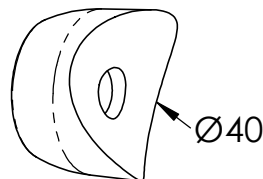
M8310N



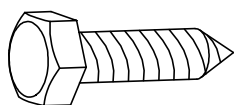
VTRCC



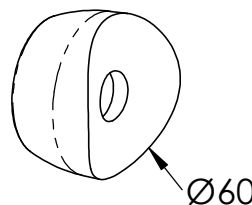
VTH



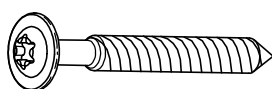
MI2503



VTF

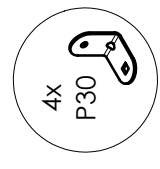
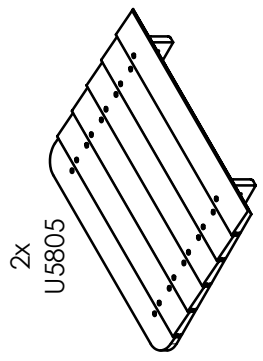
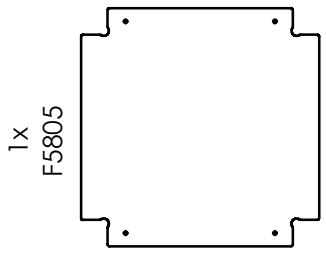
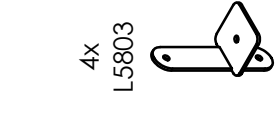
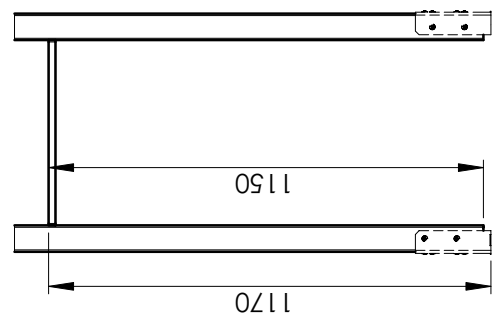
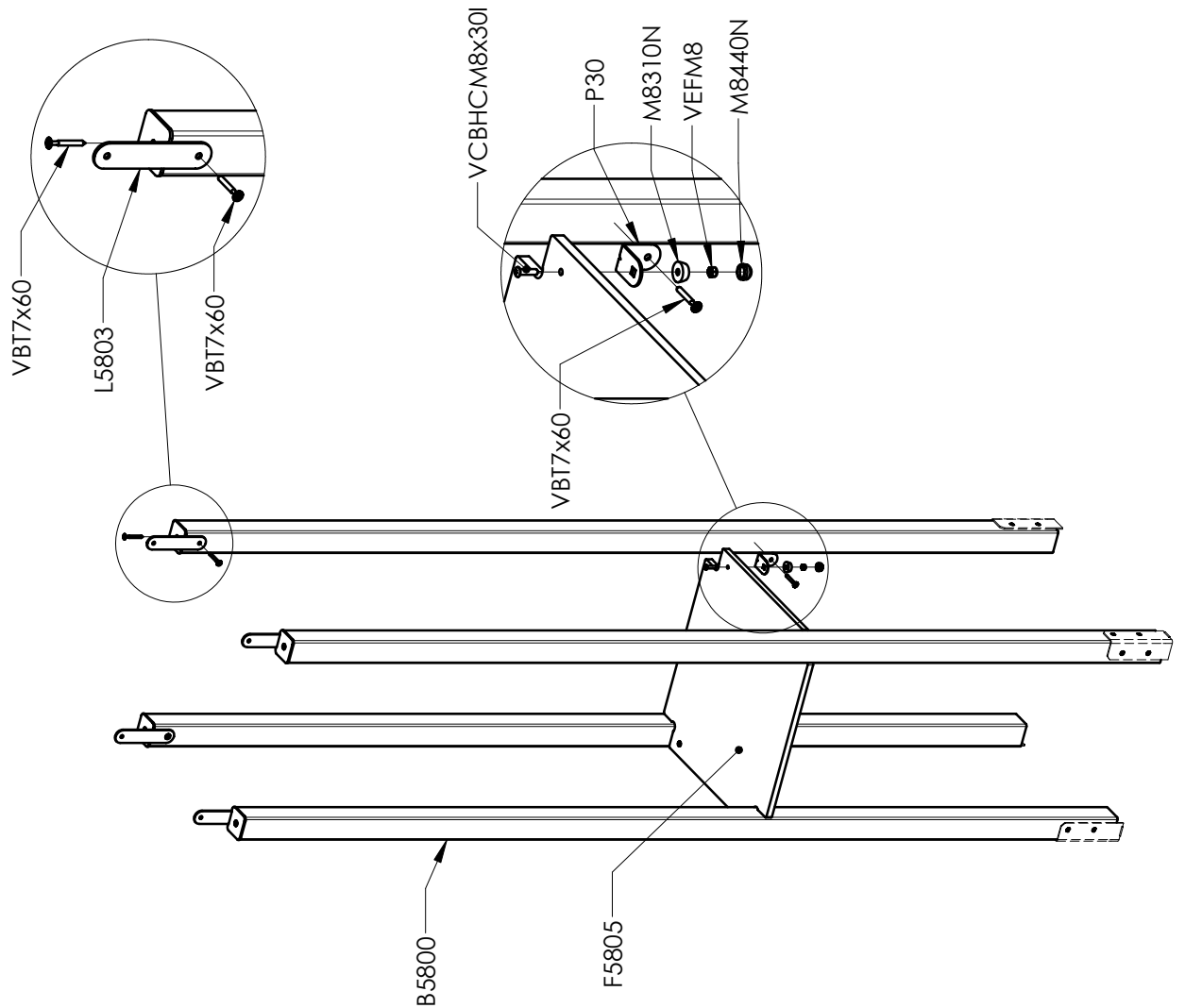


MI2701



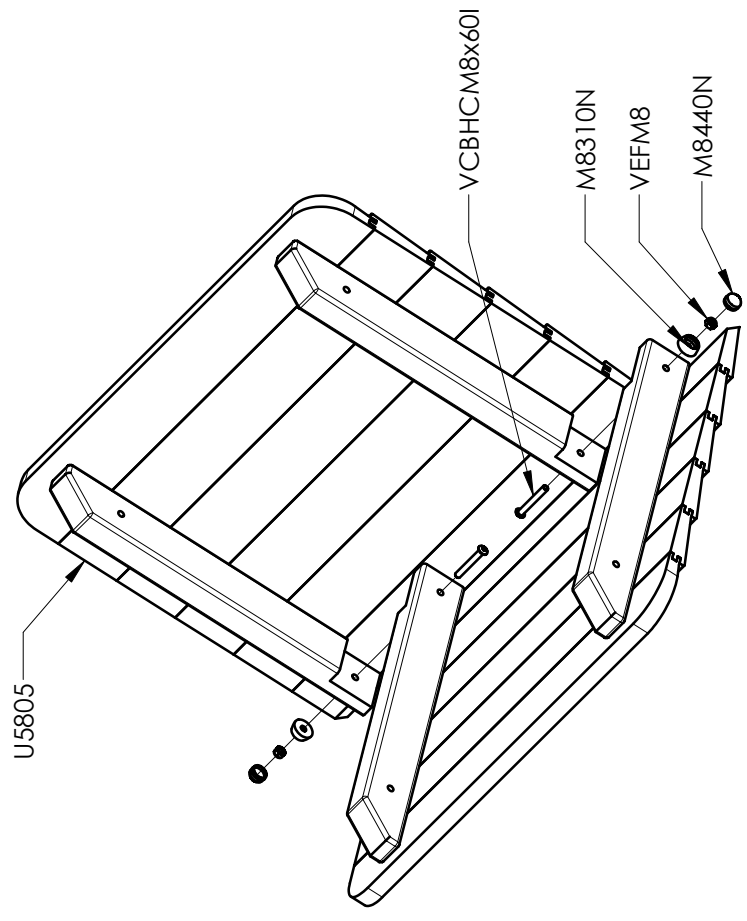
VBT

1

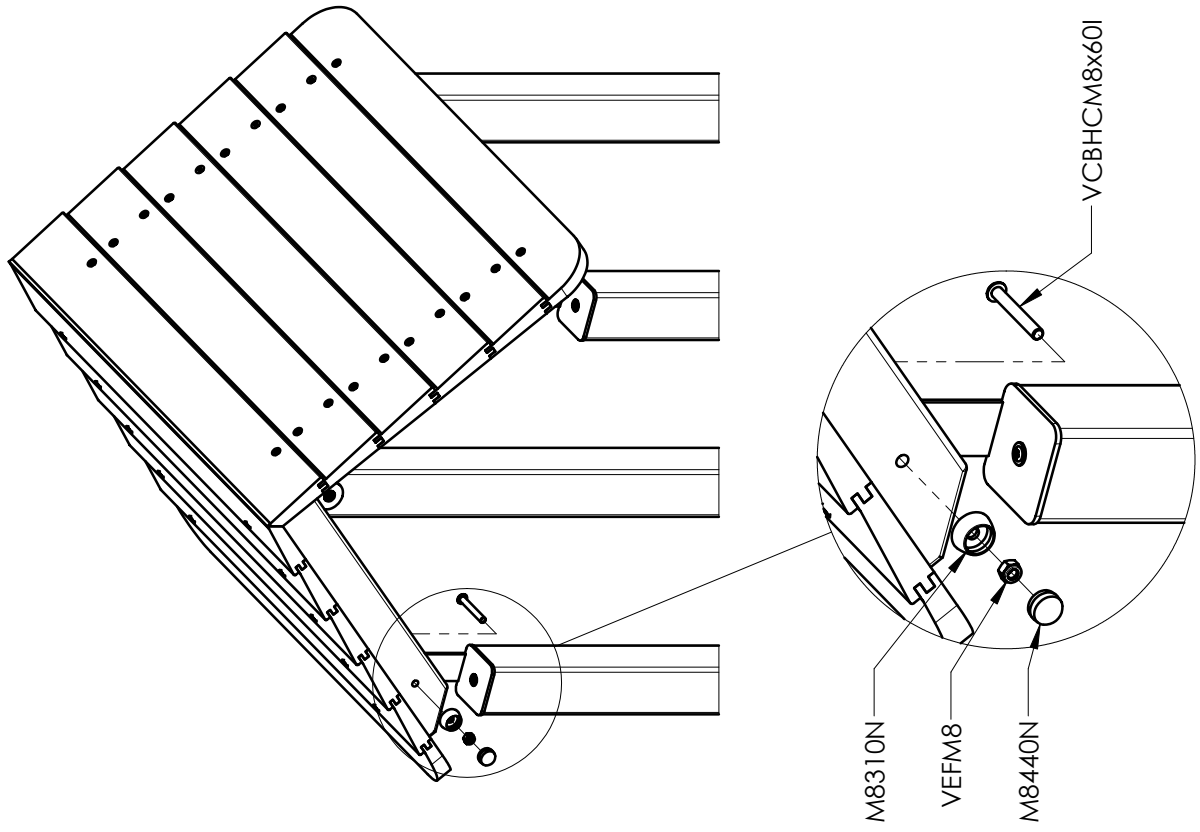


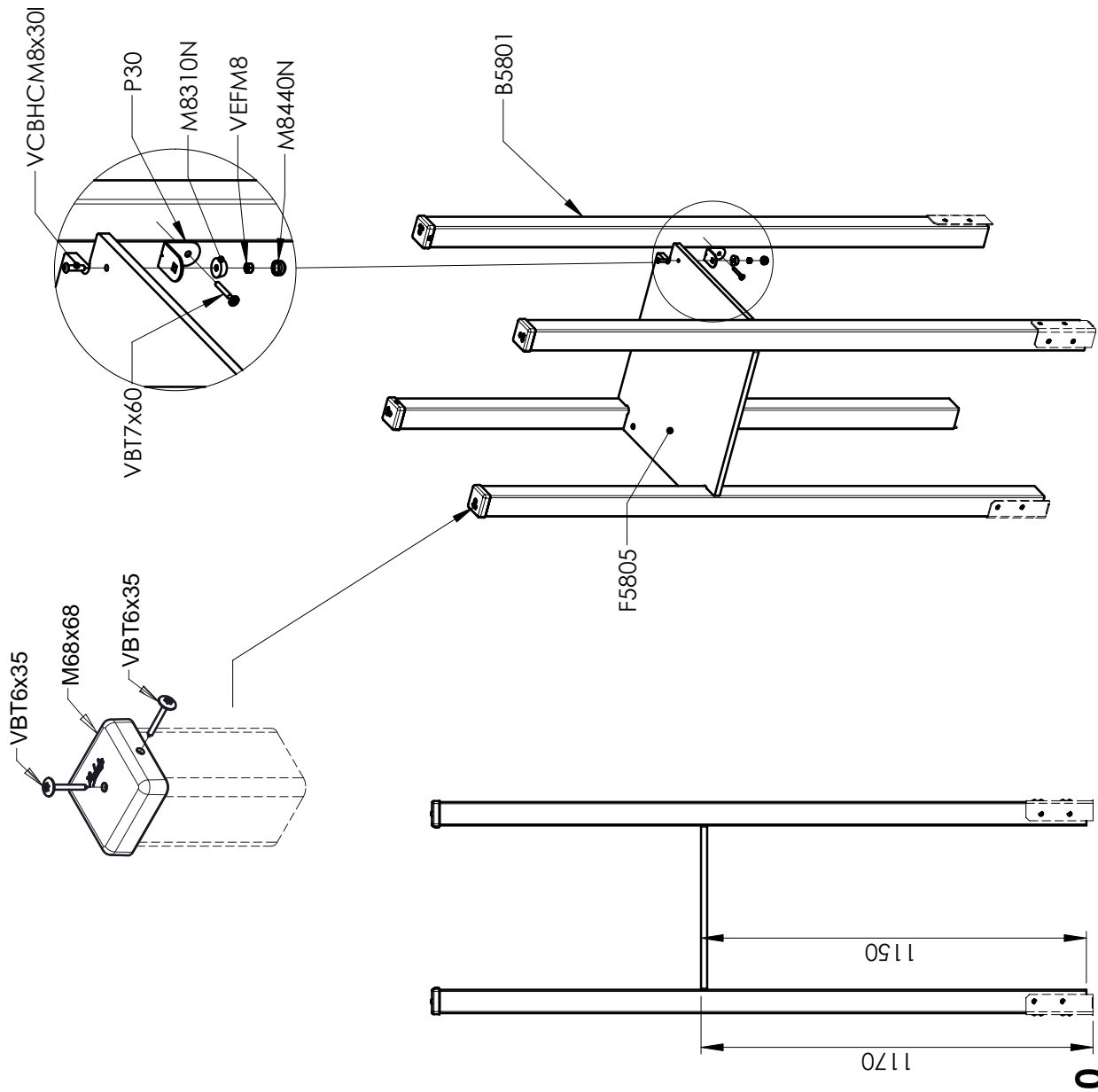
B5800	4
F5805	1
L5803	4
M8310N	10
M8440N	10
P30	4
U5805	2
VBT7x60	12
VCBHCM8x30I	4
VCBHCM8x60I	6
VEFM8	10

2

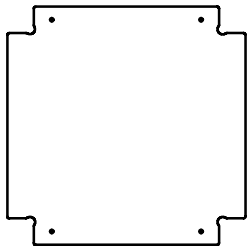


3

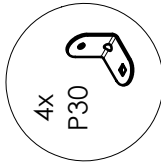




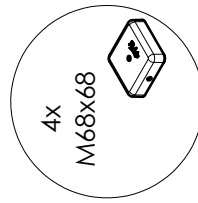
1x
F5805



4x
B5801

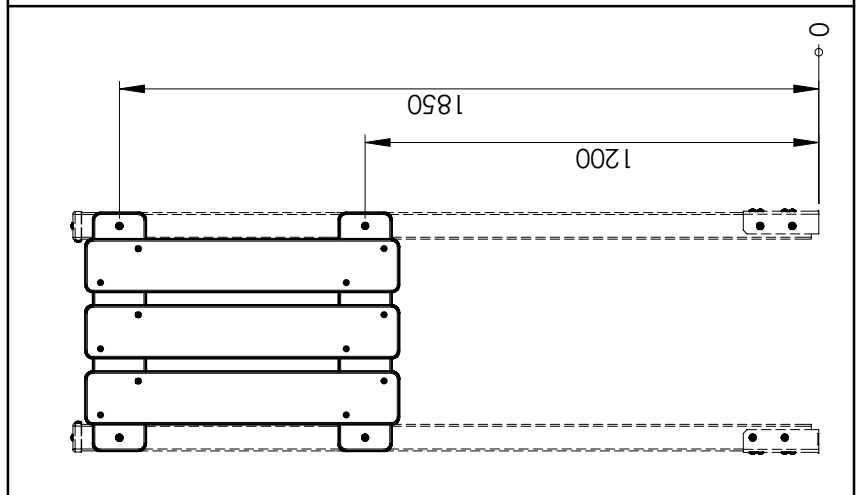
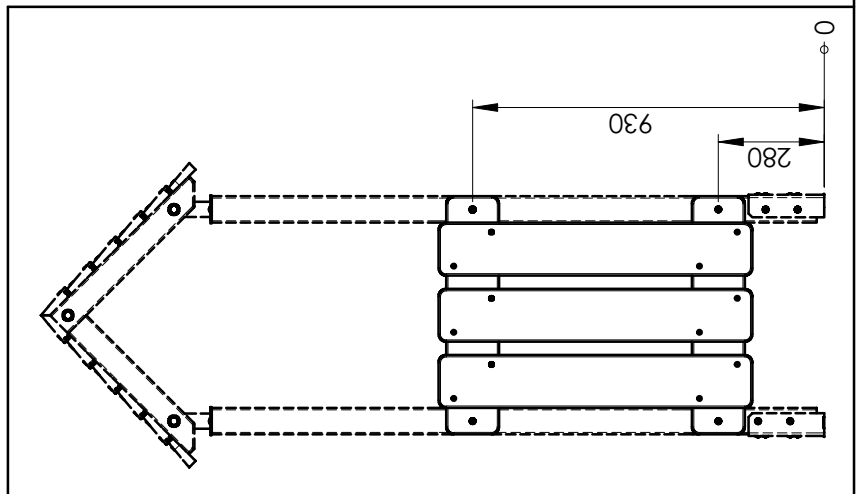
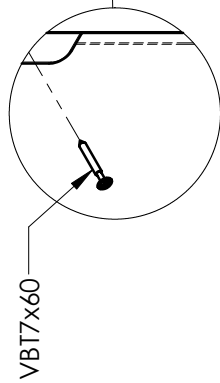
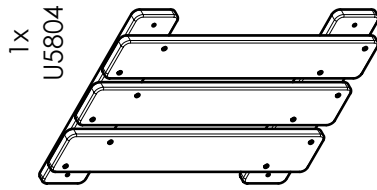
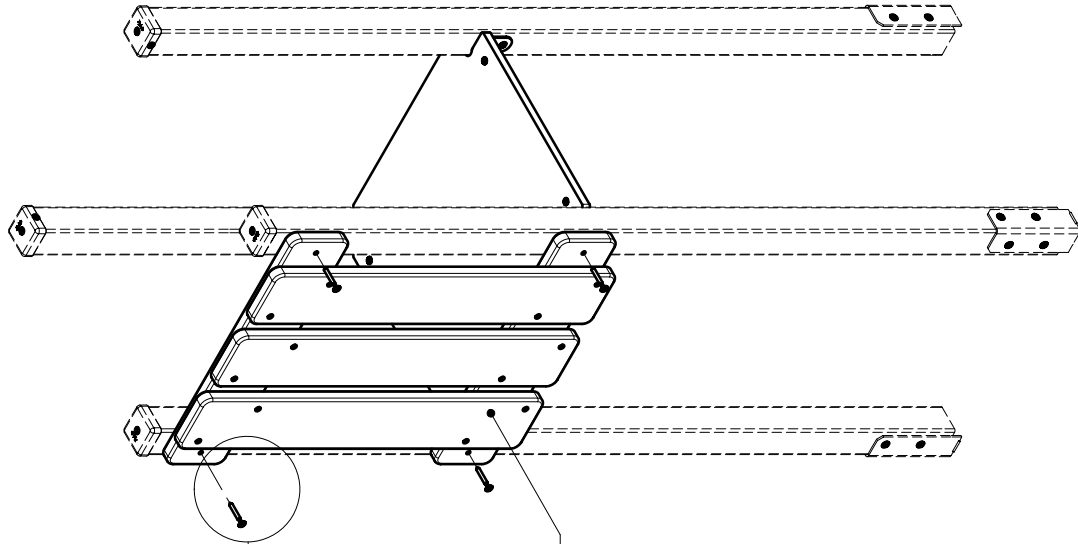


4x
P30



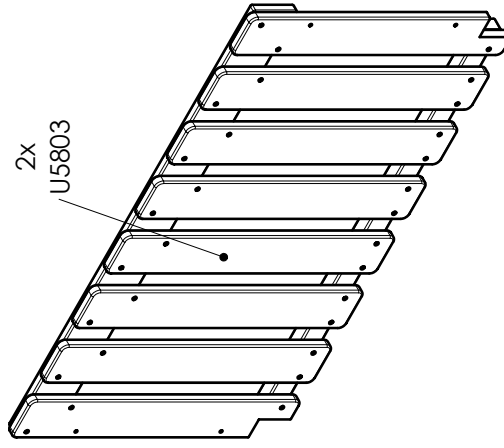
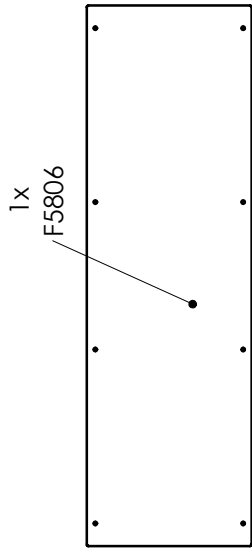
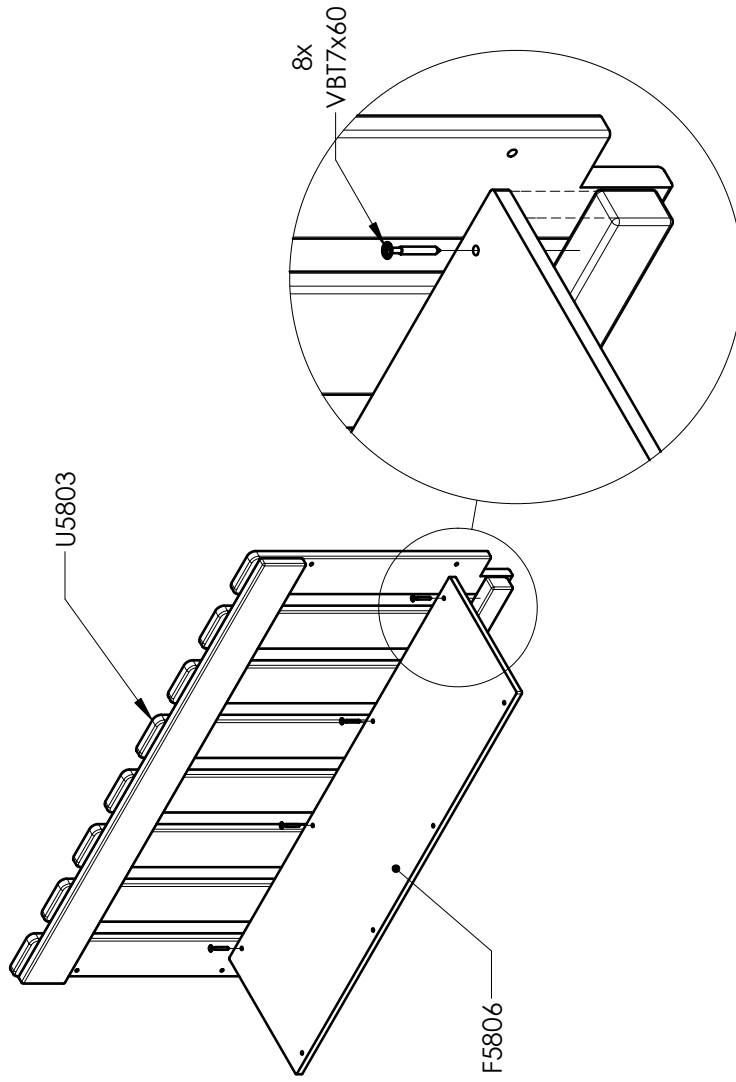
4x
M68x68

B5801	4
F5805	1
M68x68	4
M8310N	4
M8440N	4
P30	4
VBT6x35	8
VBT7x60	4
VCBHCM8x30I	4
VEFM8	4



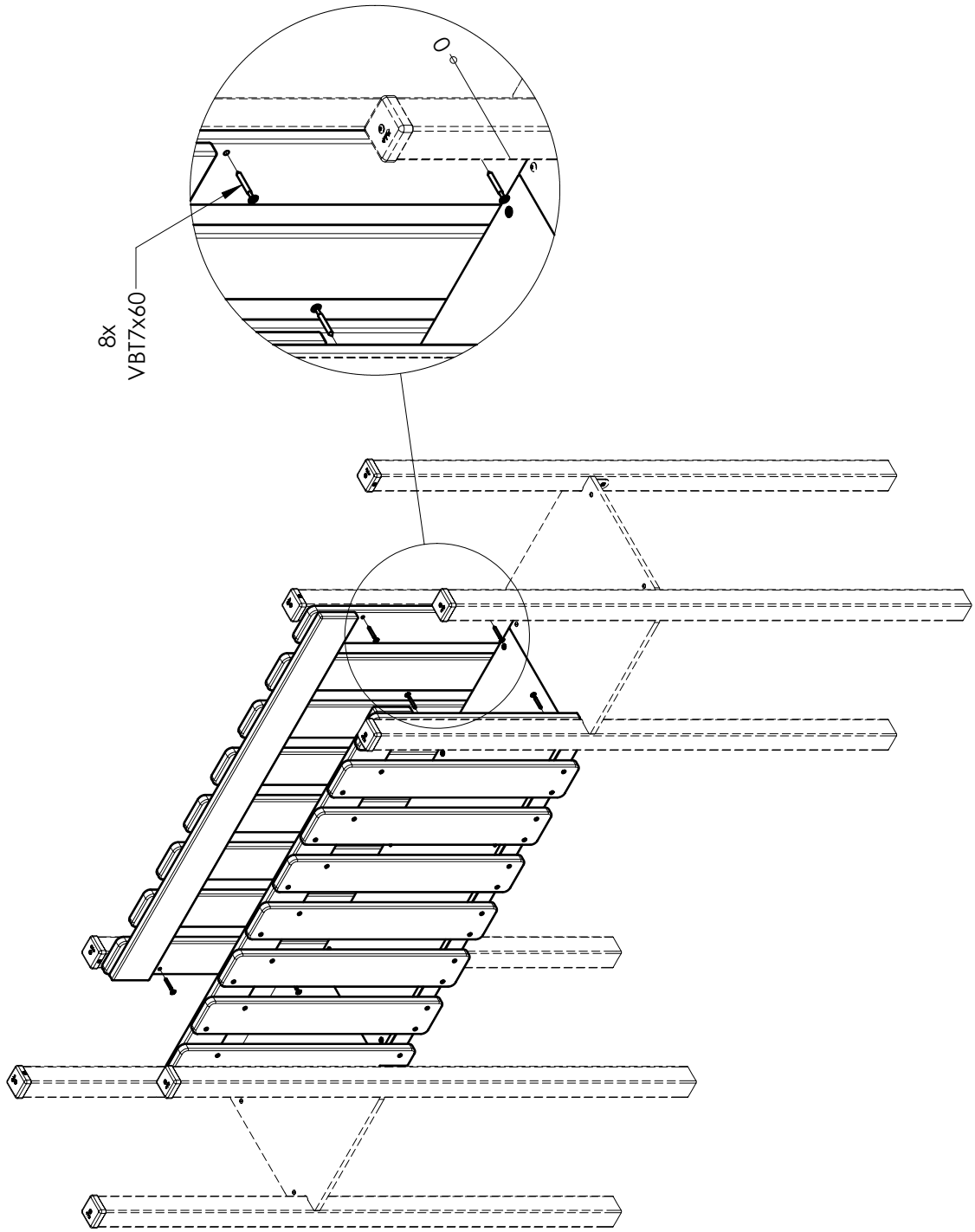
U5804	1	
VB77x60		4

1

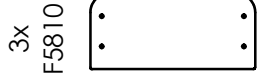
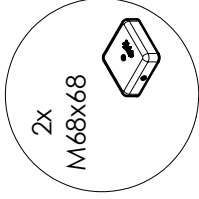
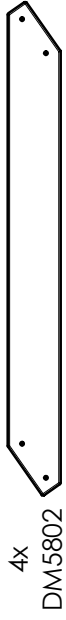
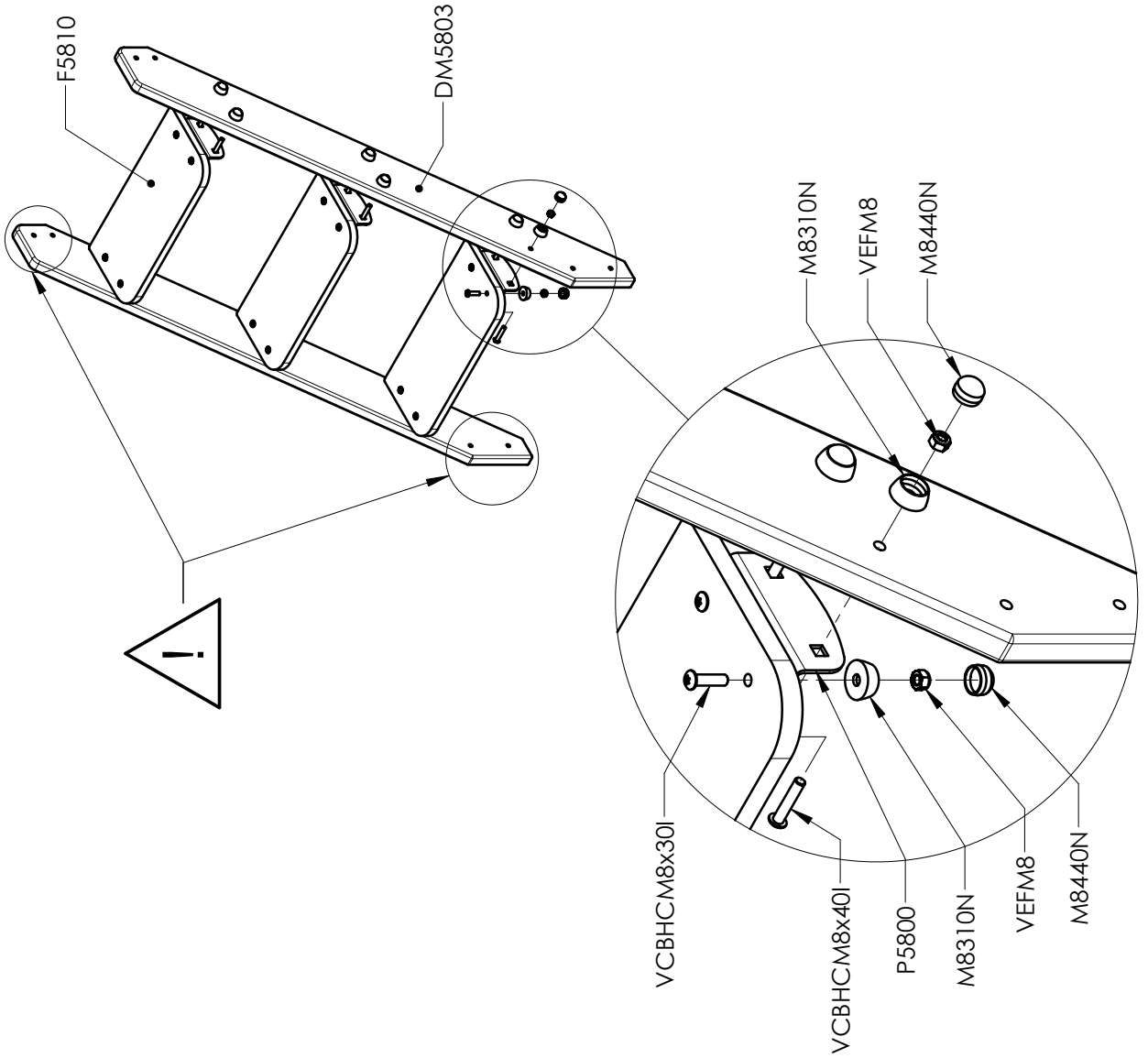
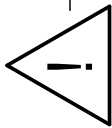


U5803	2
F5806	1
VBT7x60	16

2

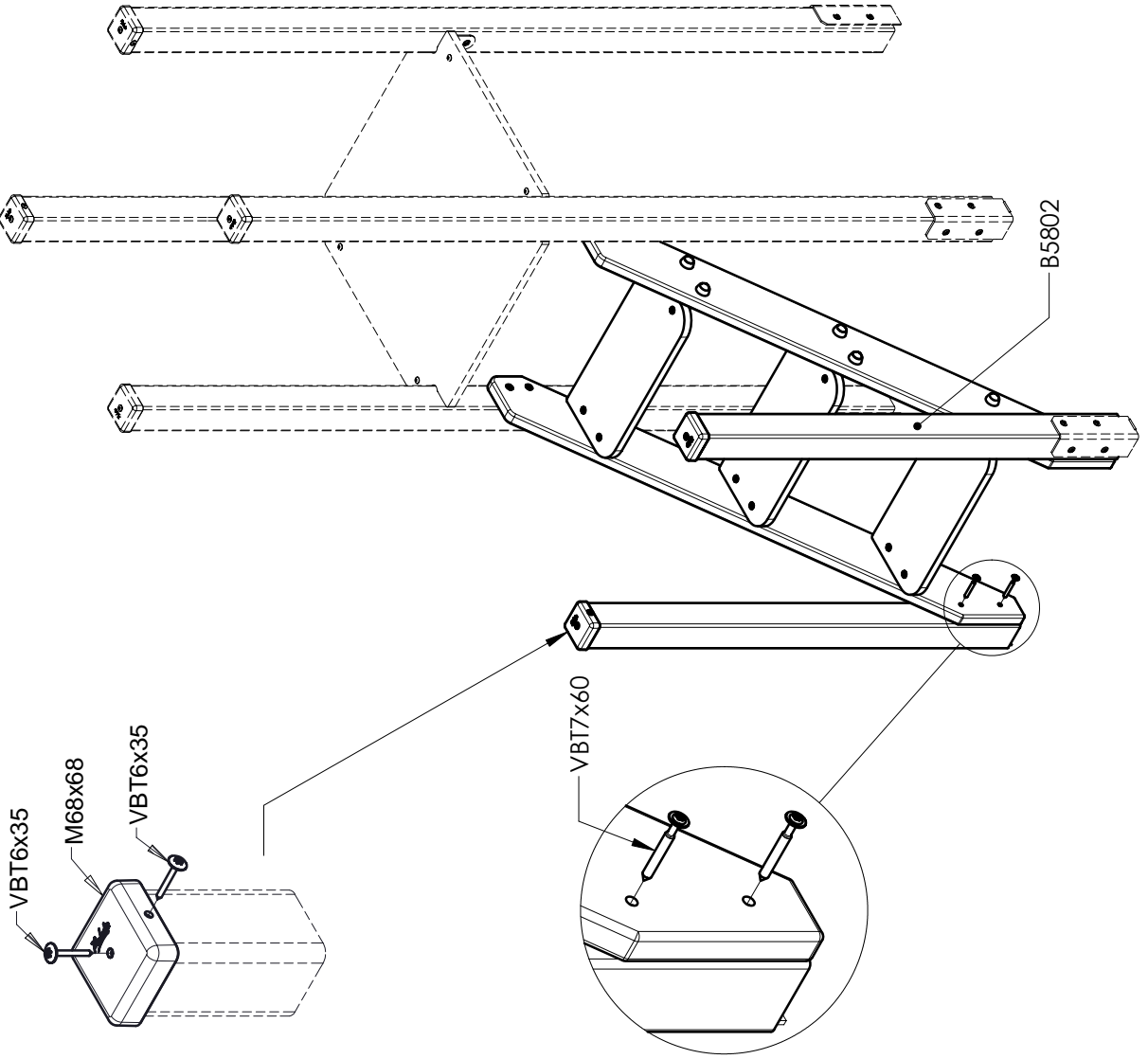
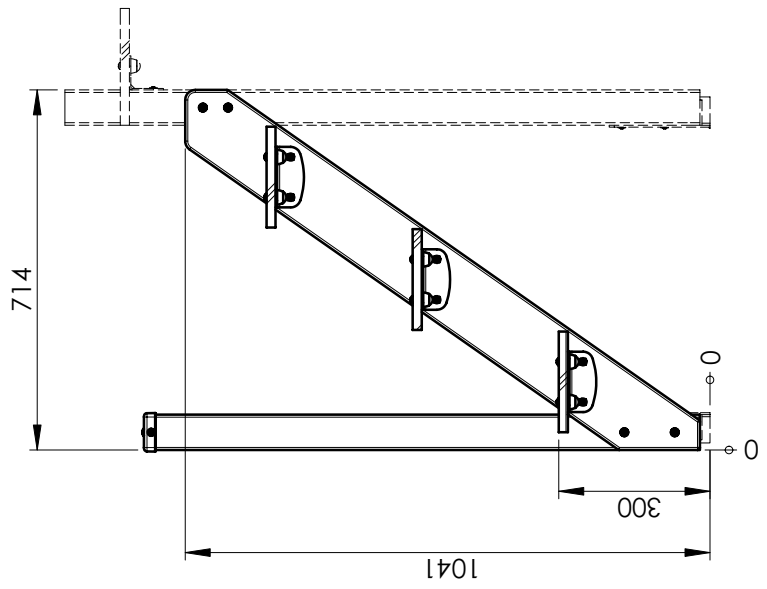


1

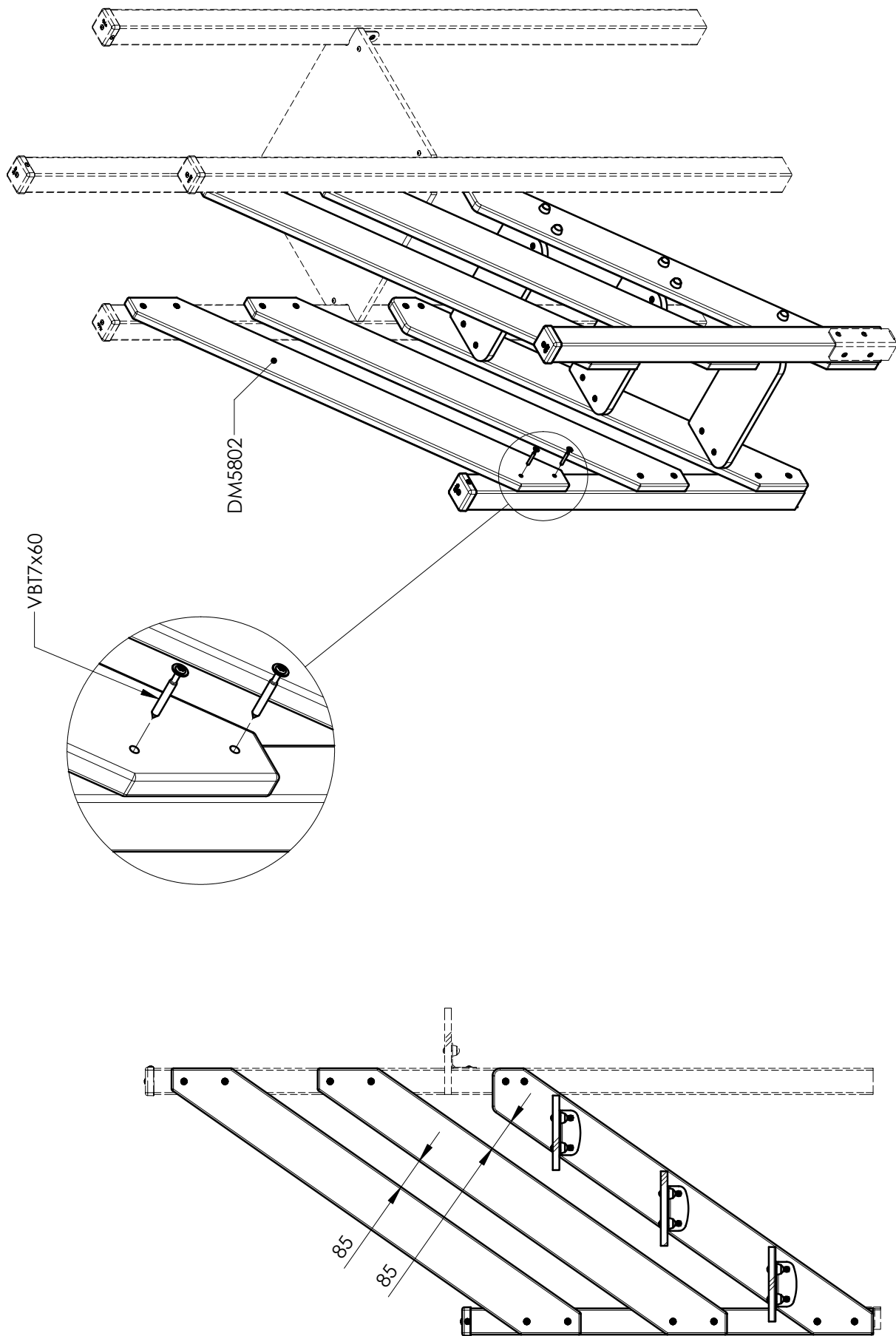


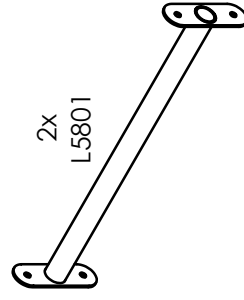
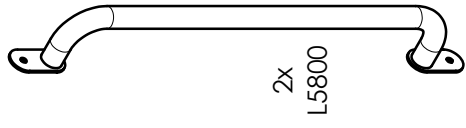
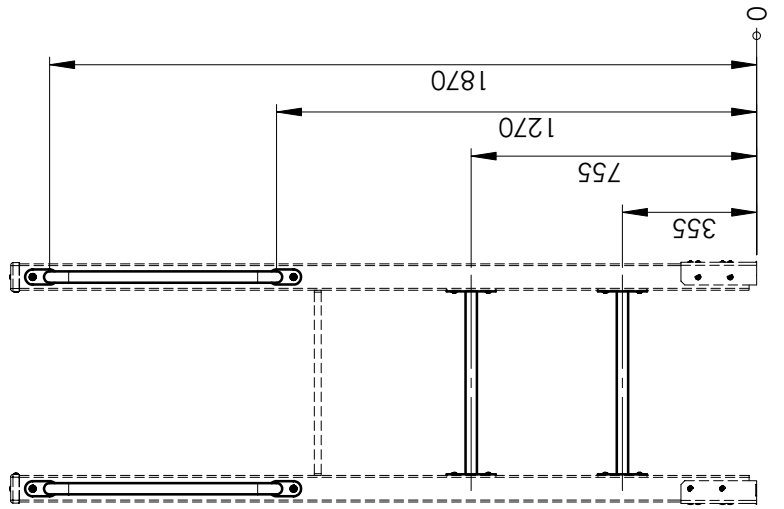
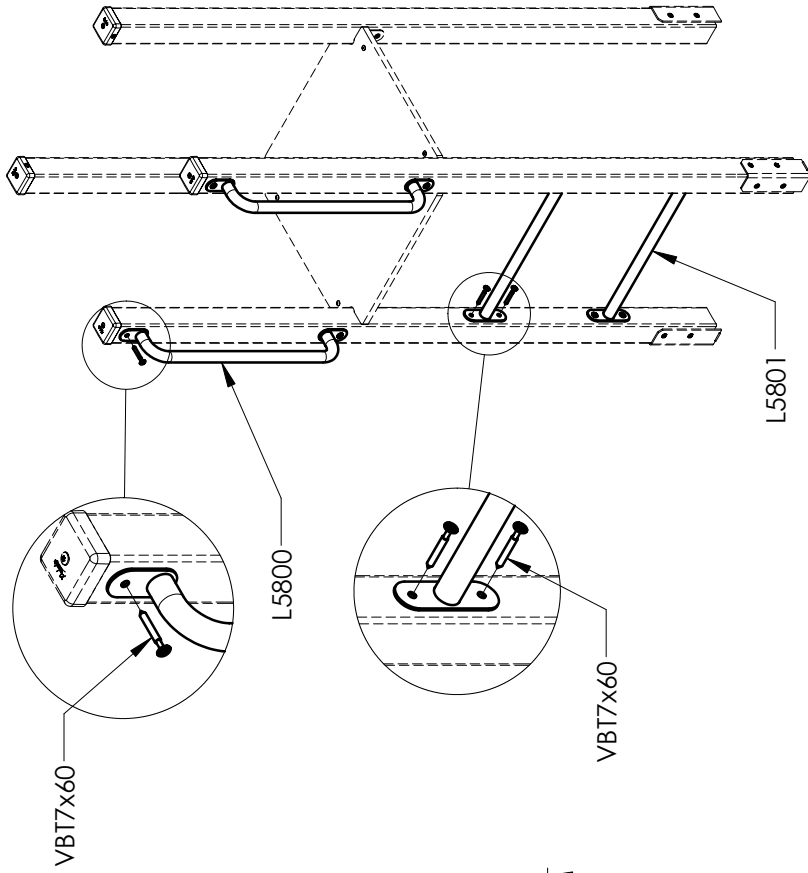
B5802	2
DM5802	4
DM5803	2
F5810	3
M68x68	2
M8310N	24
M8440N	24
P5800	6
VT6x35	4
VT7x60	24
VCBHCM8x30I	12
VCBHCM8x40I	12
VEFM8	24

2

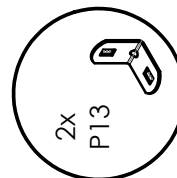
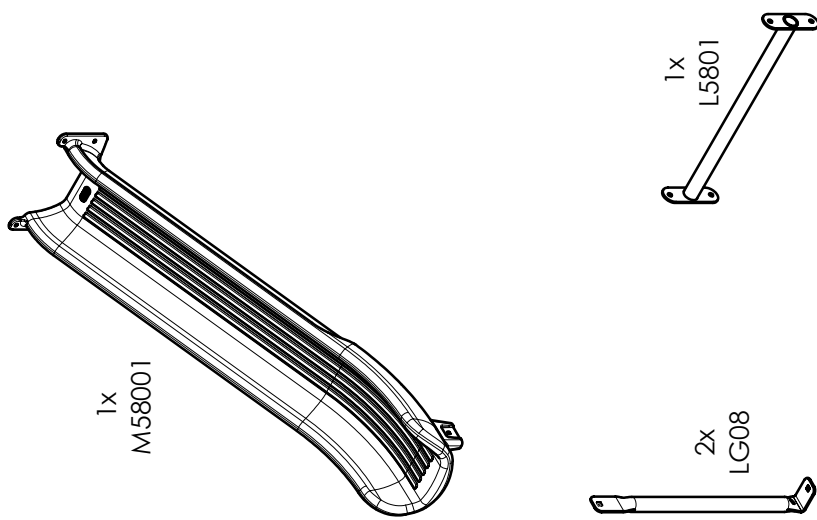
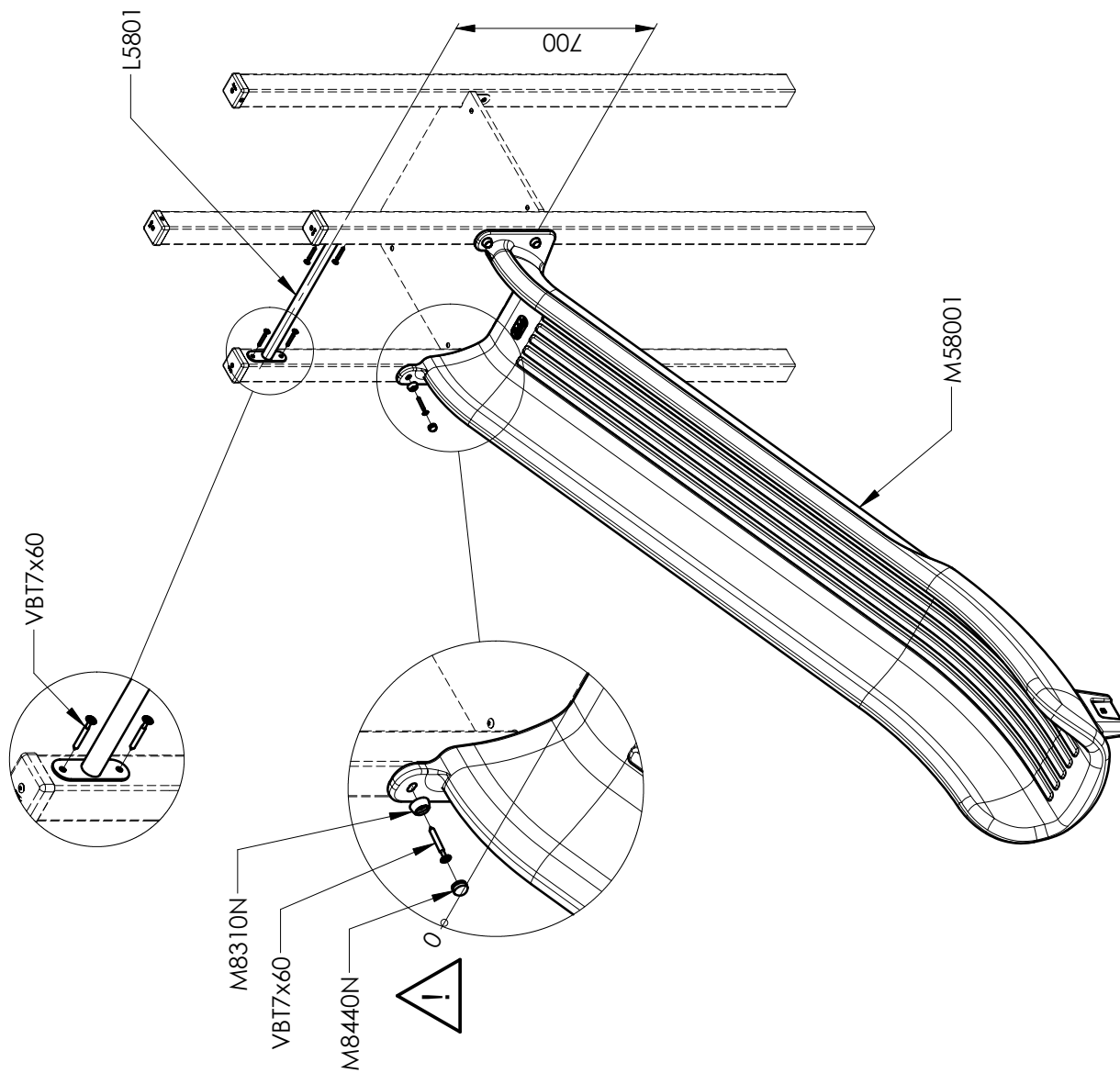


2



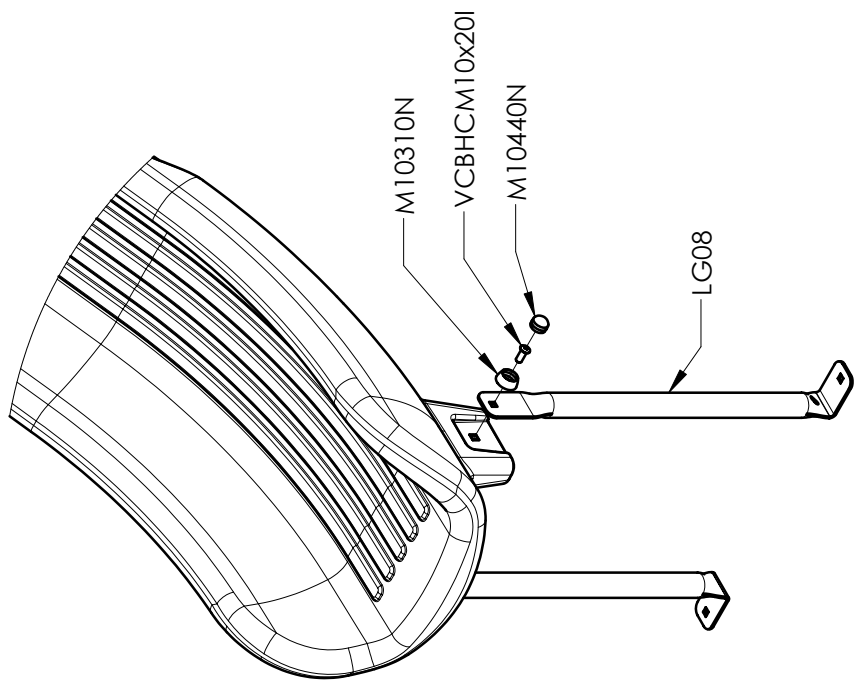
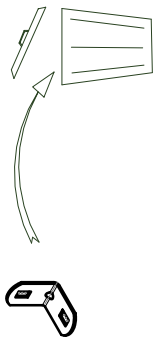


L5800	2
L5801	2
VBT7x60	12

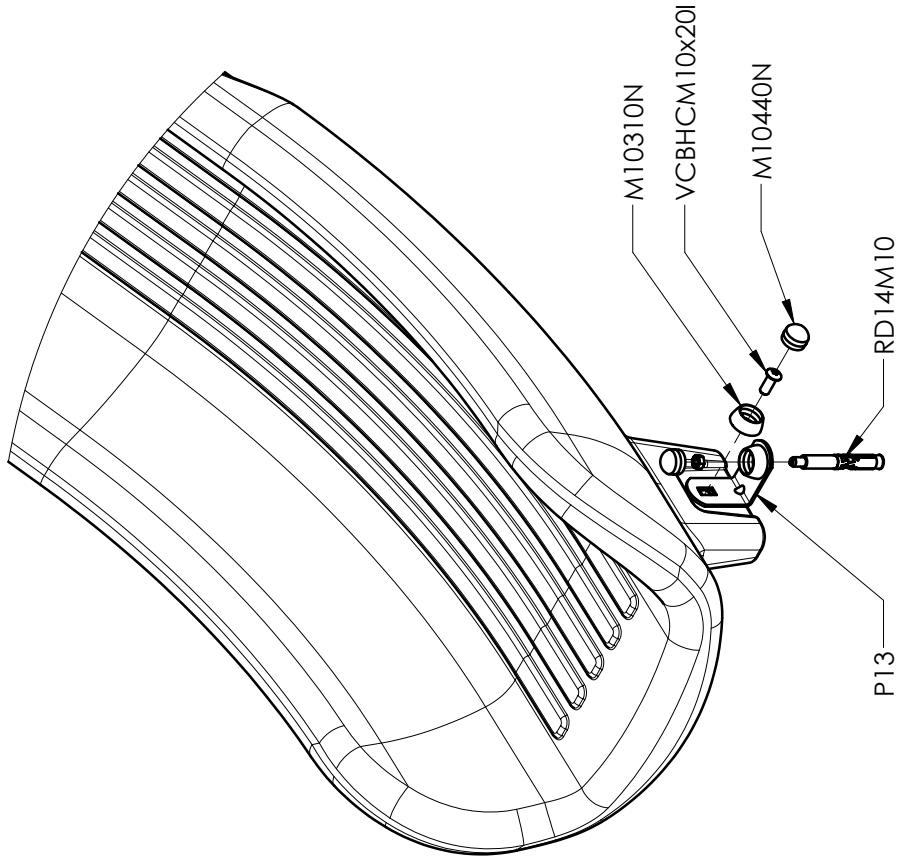
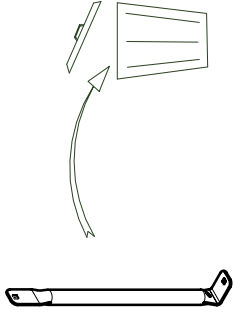


L5801	1
M8310N	4
M8440N	4
M10310N	2
M10440N	2
M58001	1
VB7x60	8
VCBHC10x20I	2

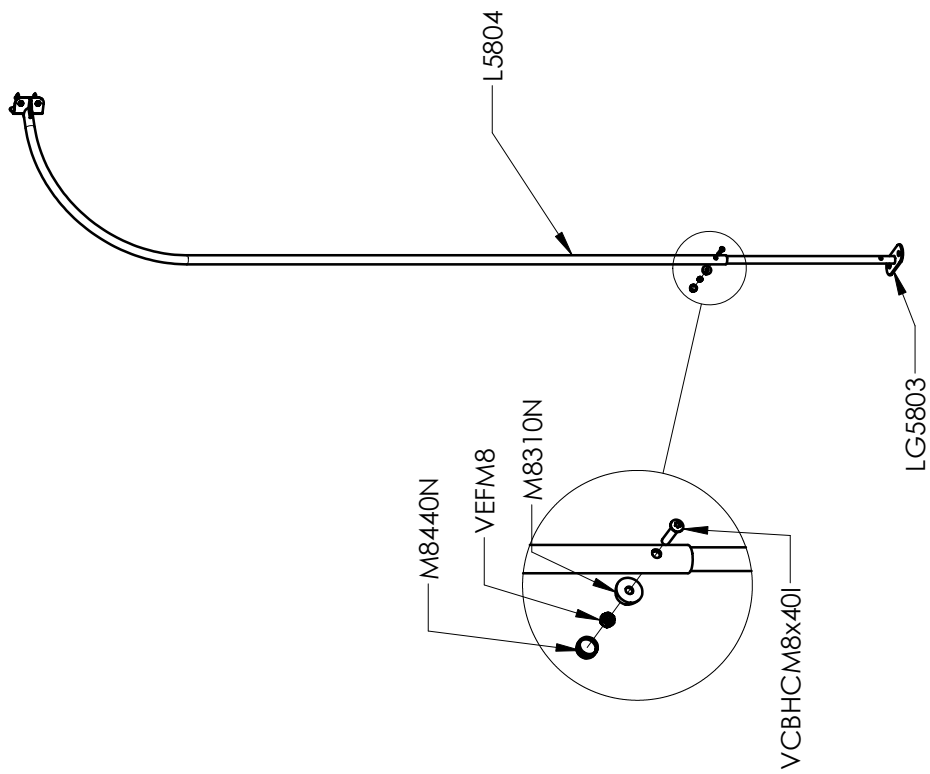
A



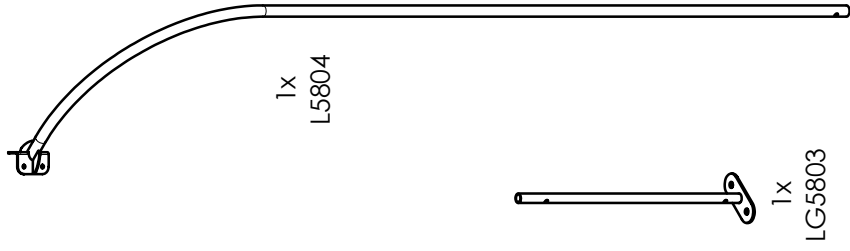
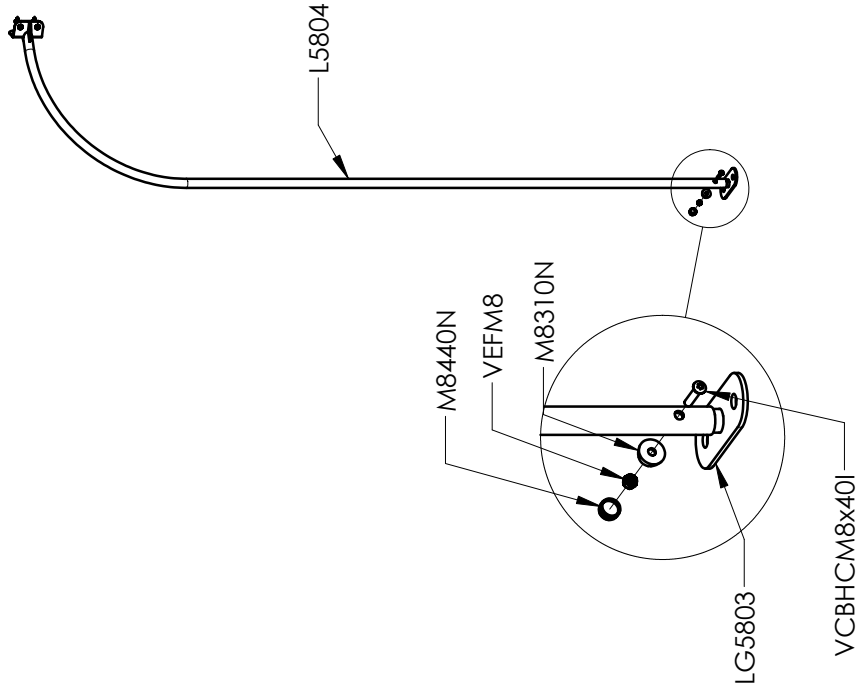
B



A



B



L5804	1
M8310N	1
M8440N	1
VEFM8	4
VCBHCM8x40I	1
VEFM8	1

