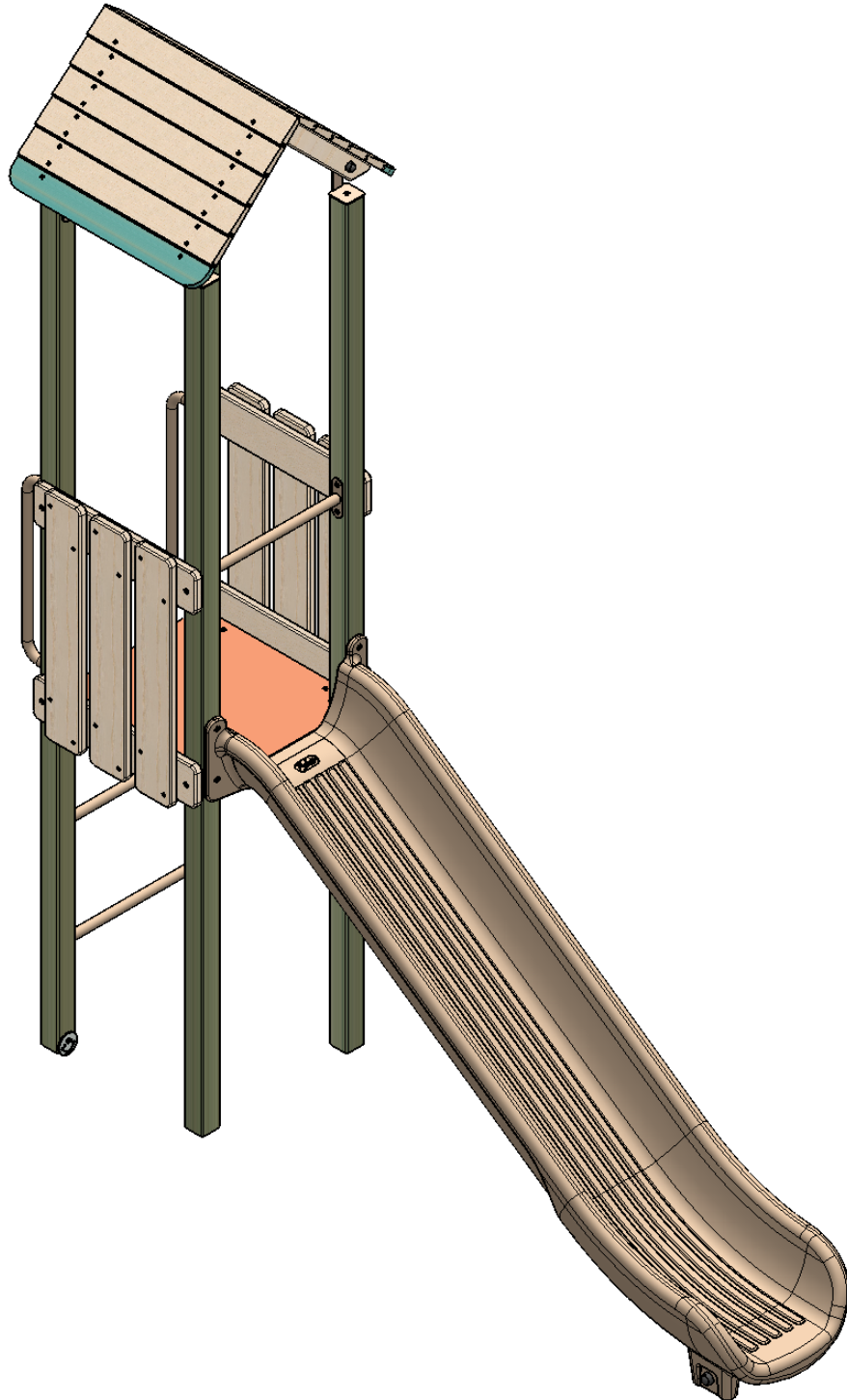


J5801

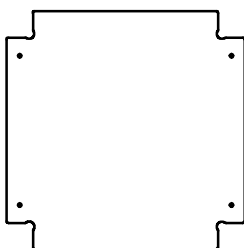
*Proludic*



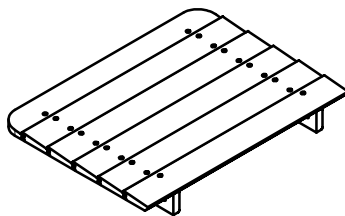
4x  
B5800



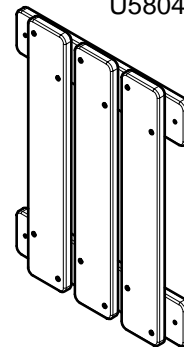
1x  
F5805



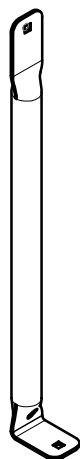
2x  
U5805



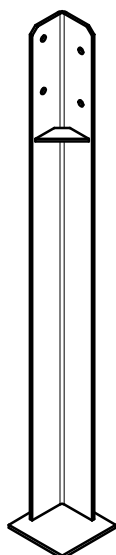
2x  
U5804



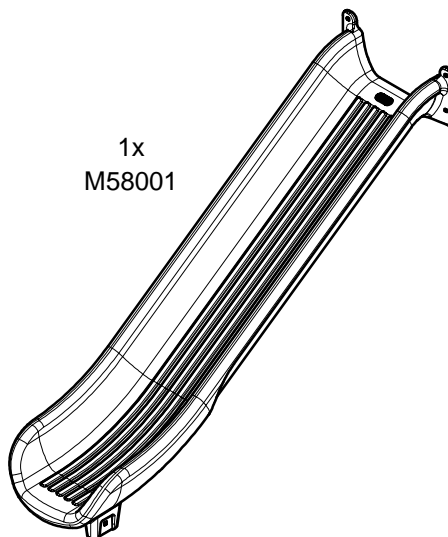
2x  
LG08



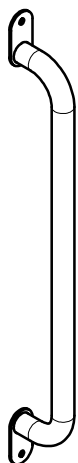
4x  
LG5800



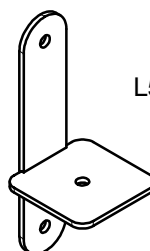
1x  
M58001



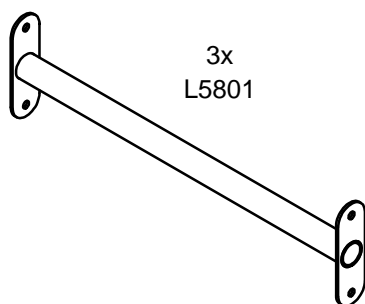
2x  
L5800



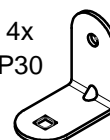
4x  
L5803



3x  
L5801

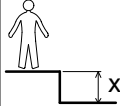
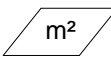


4x  
P30



LA000	1
M10310N	2
M10440N	2
M8310N	14
M8440N	14
MI0002	1
VB7*60	56
VCBHCM10*20I	2
VCBHCM8*30I	4
VCBHCM8*60I	6
VEFM8	10



N°		
1	1 m	6.5 m <sup>2</sup>
2	1.17 m	13.5 m <sup>2</sup>

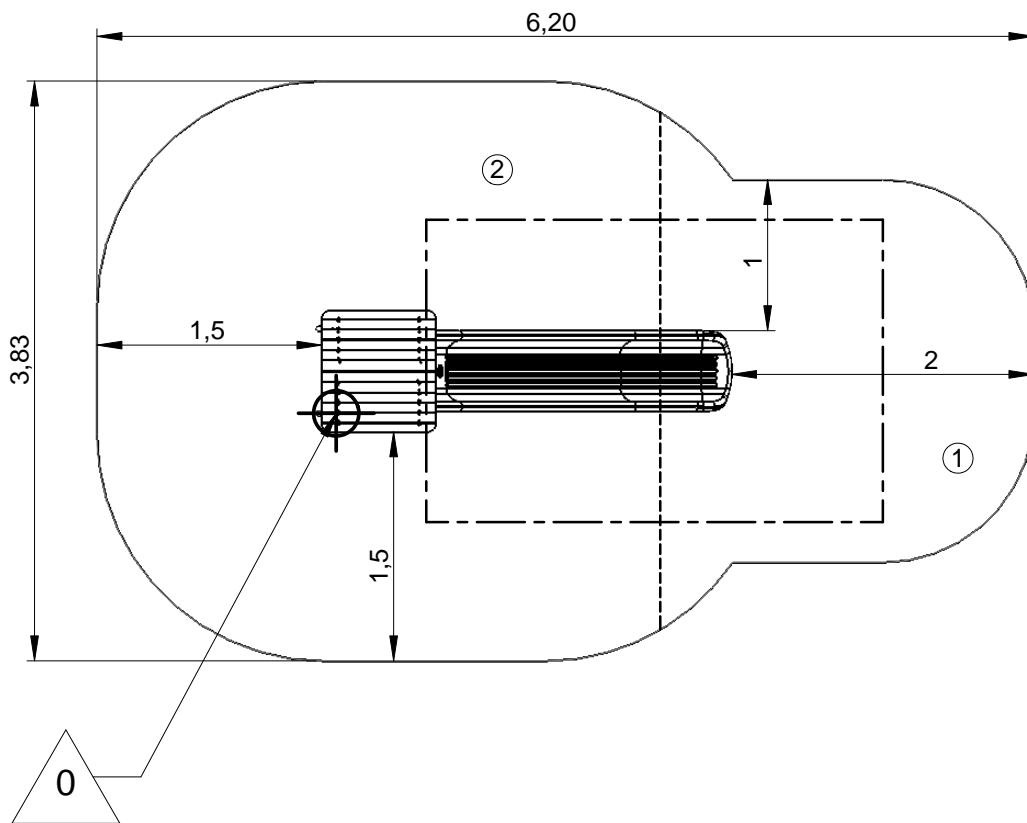
— Zone d'impact  
Impact area  
Area de impacto  
Fallraum  
Valzone

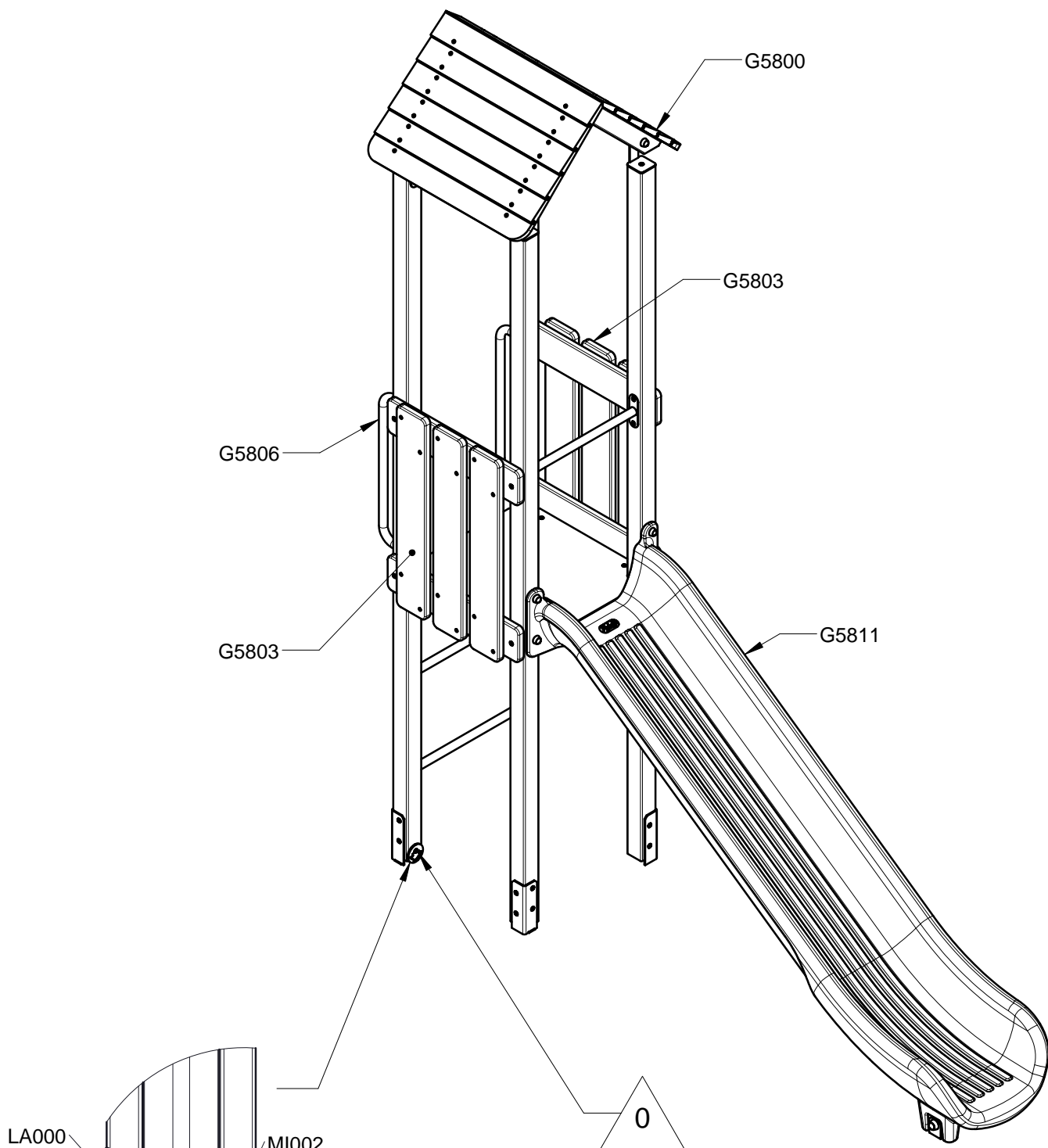


Point de référence  
Setting out point  
Punto de referencia  
Bezugspunkt  
Referentiepunt

- - - Espace libre  
Free space  
Espacio libre  
Freiraum  
Vrije ruimte

EN1176-1:2017  
EN1176-3:2017

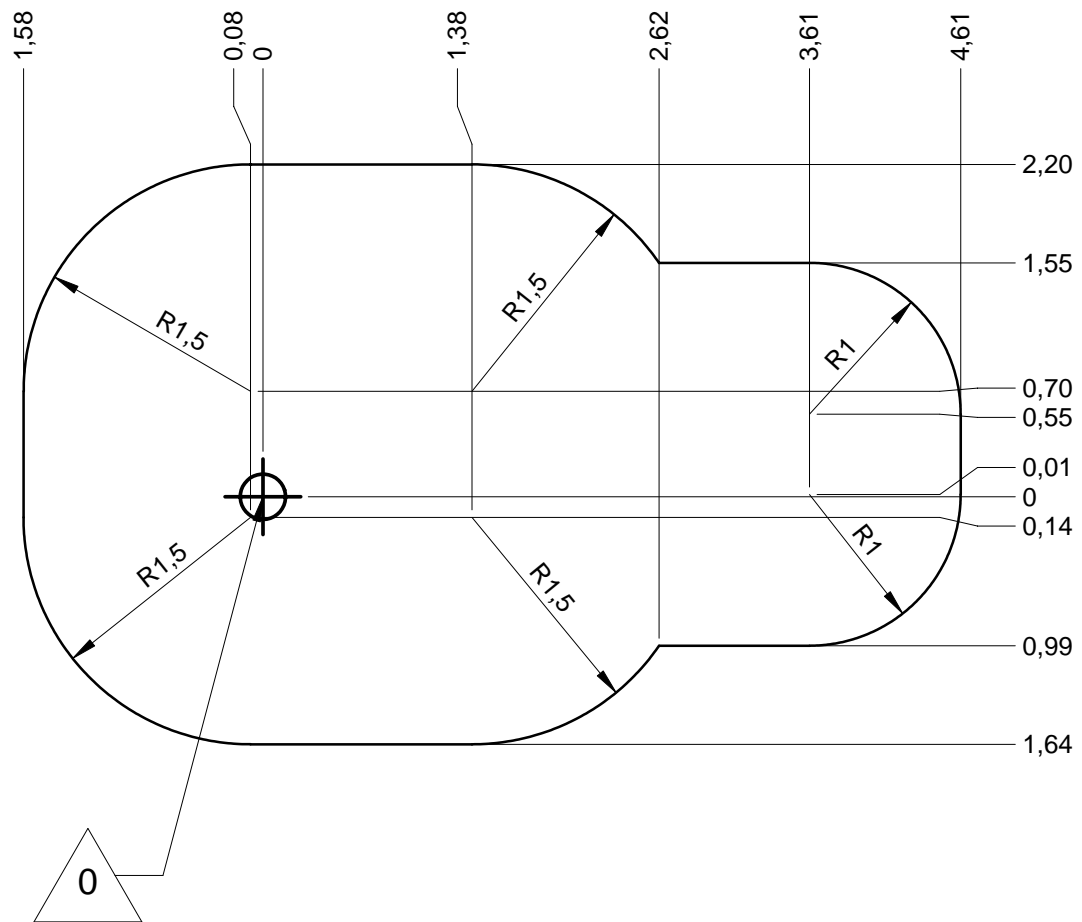




G5800	1
G5803	2
G5806	1
G5811	1

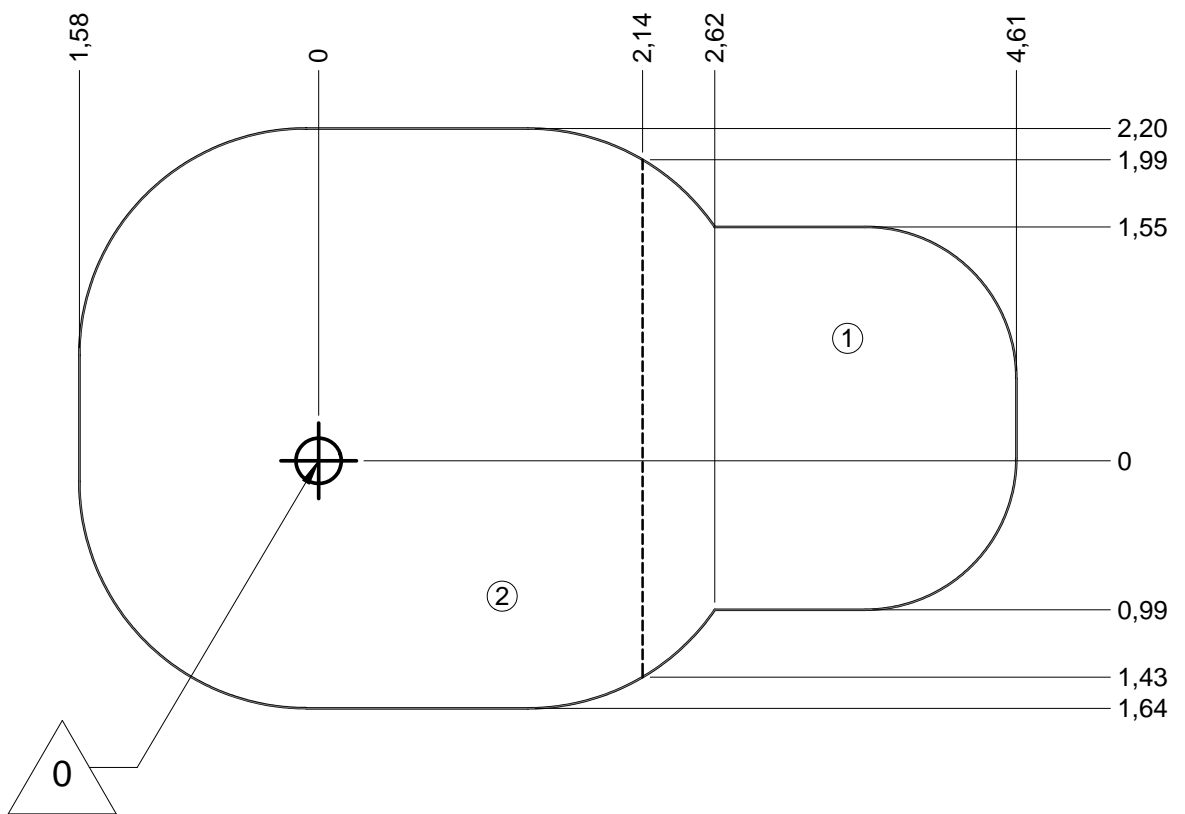
— Zone d'impact  
 Impact area  
 Area de impacto  
 Fallraum  
 Valzone

**20 m<sup>2</sup>**



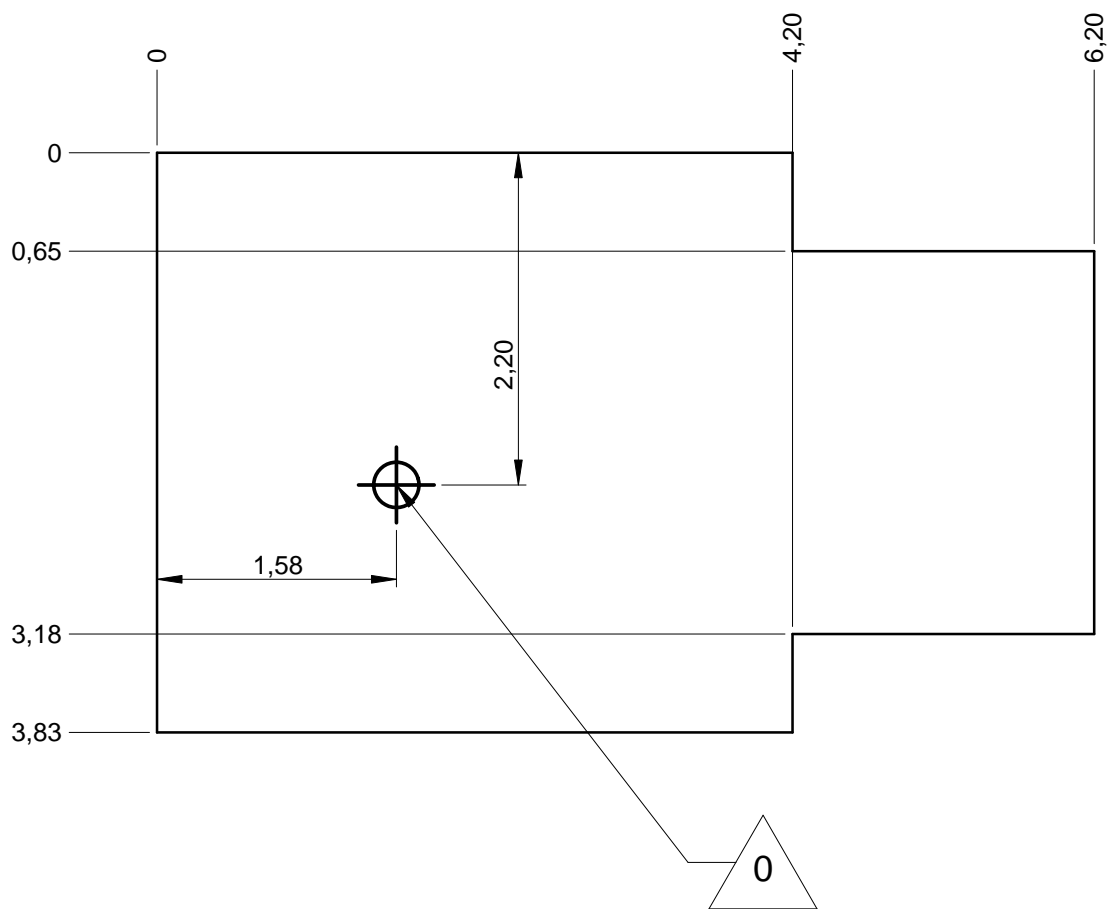
— Sol souple  
 Wetpour  
 Caucho continuo  
 Synthetischer Fallschutz  
 Gietvloer

20 m<sup>2</sup>

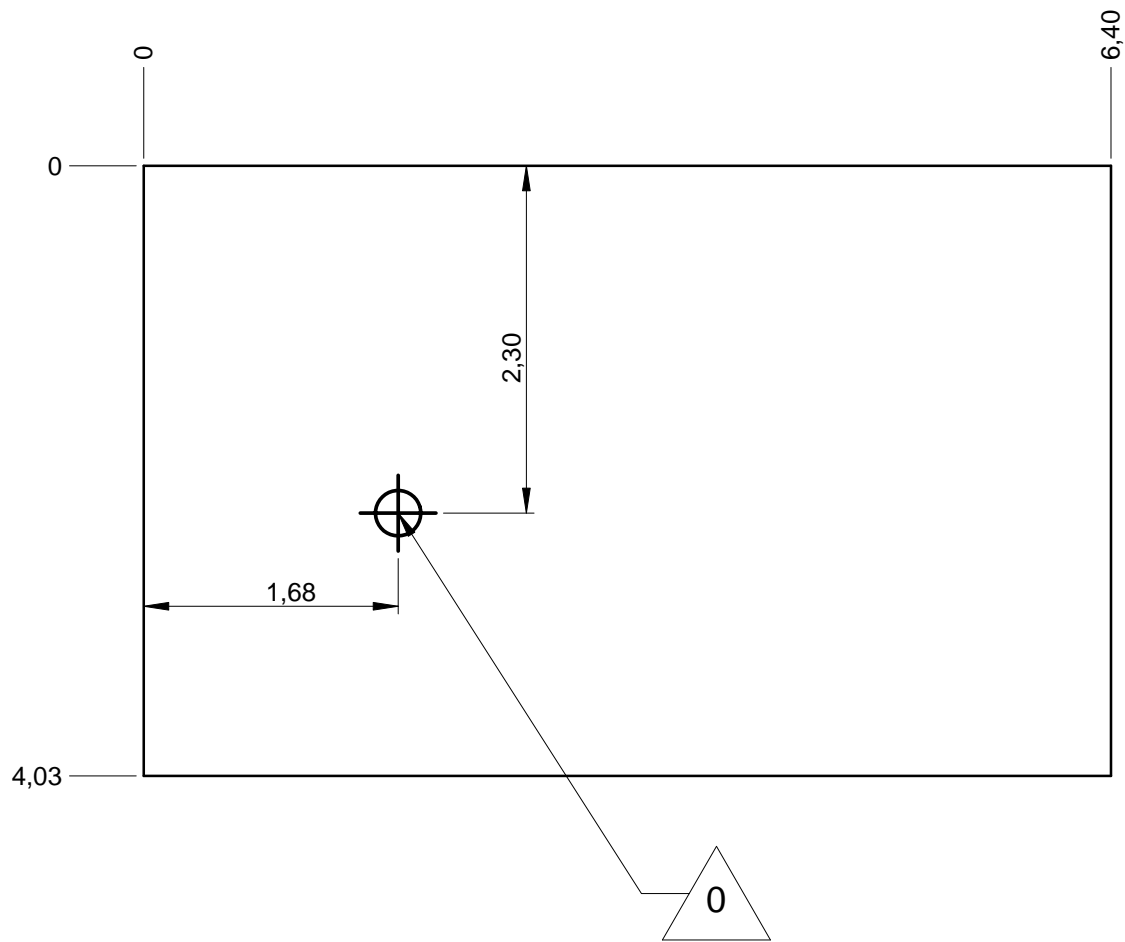


— Dalle béton  
Concrete pad  
Solera de hormigon  
Beton Bodenplatte  
Betonnen bodemplaat

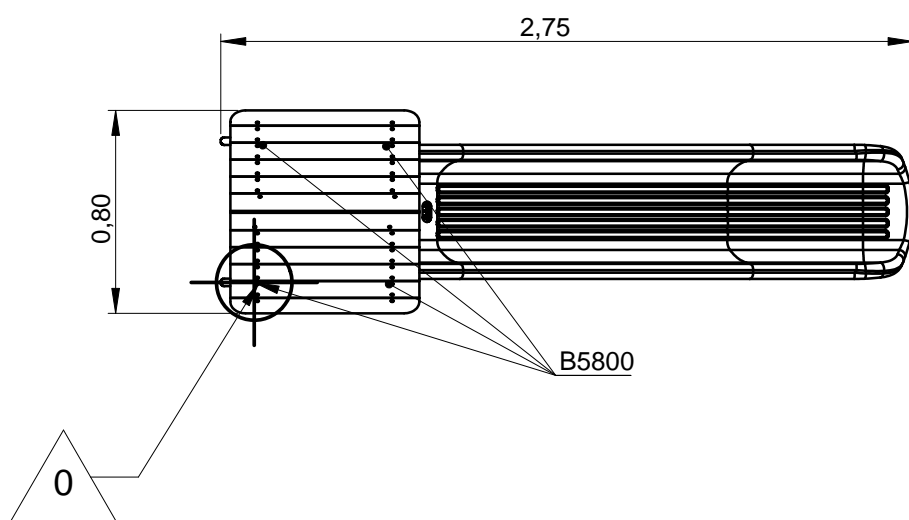
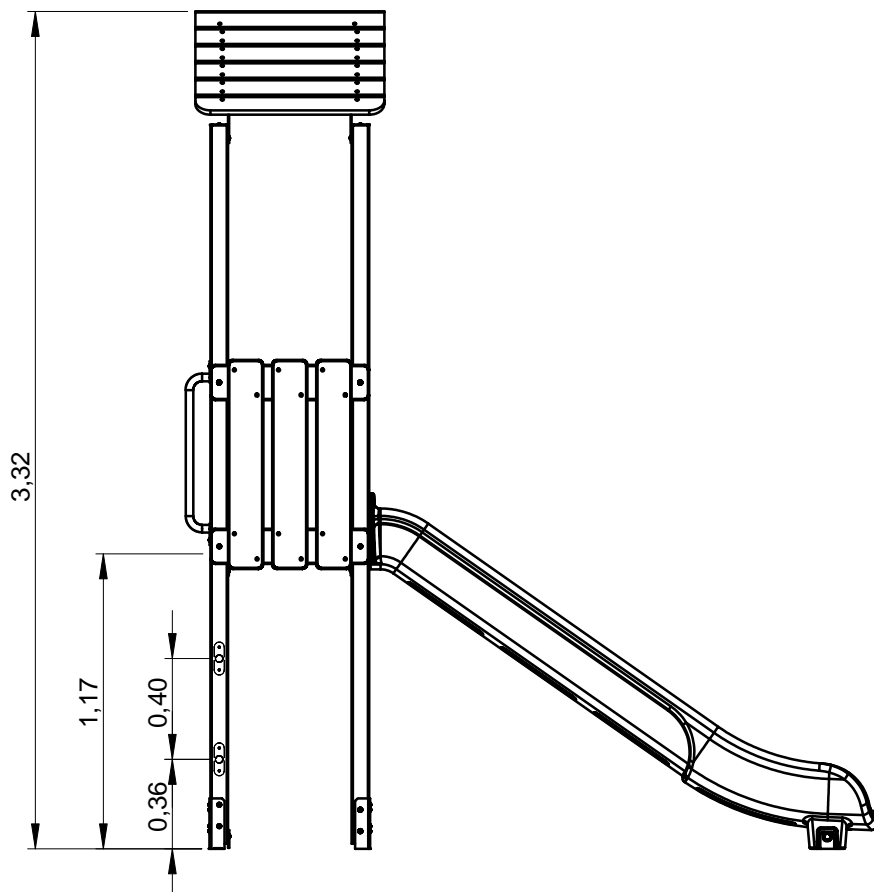
21 m  
22 m<sup>2</sup>



— Sol fluent  
Loos partucule material 22 m  
Arenero  
Loses Bodenmaterial 26 m<sup>2</sup>  
Los bodemmaterial



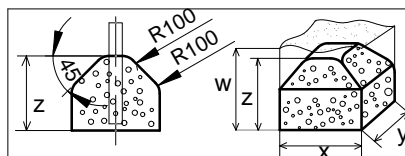
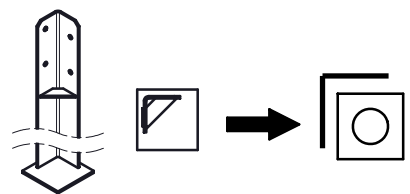
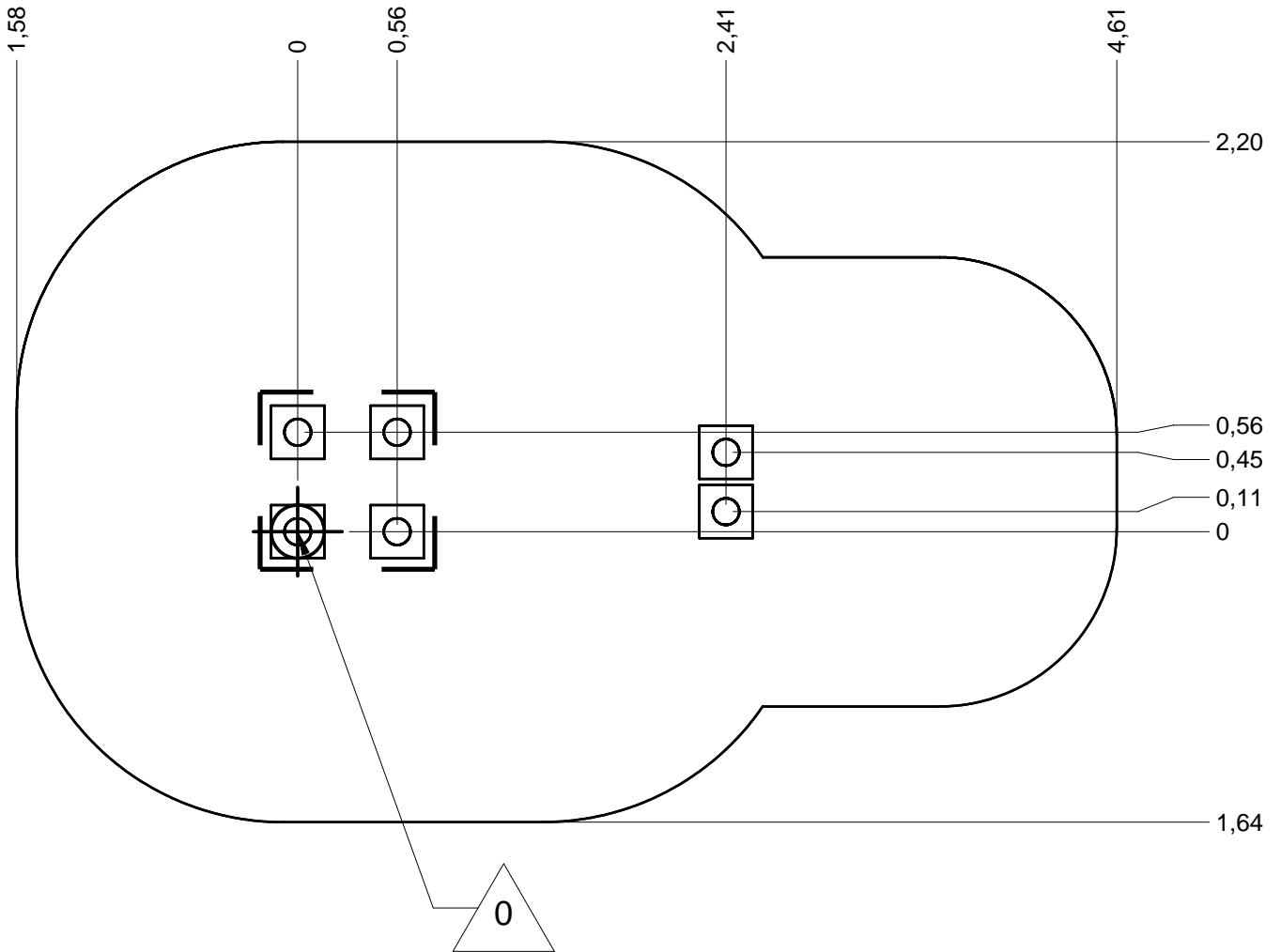




# J5801A

*ProLudic*

Implantation  
 Footing plan  
 Implantación  
 Fundamentplan  
 Funderingstekening



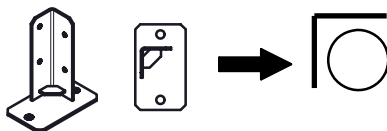
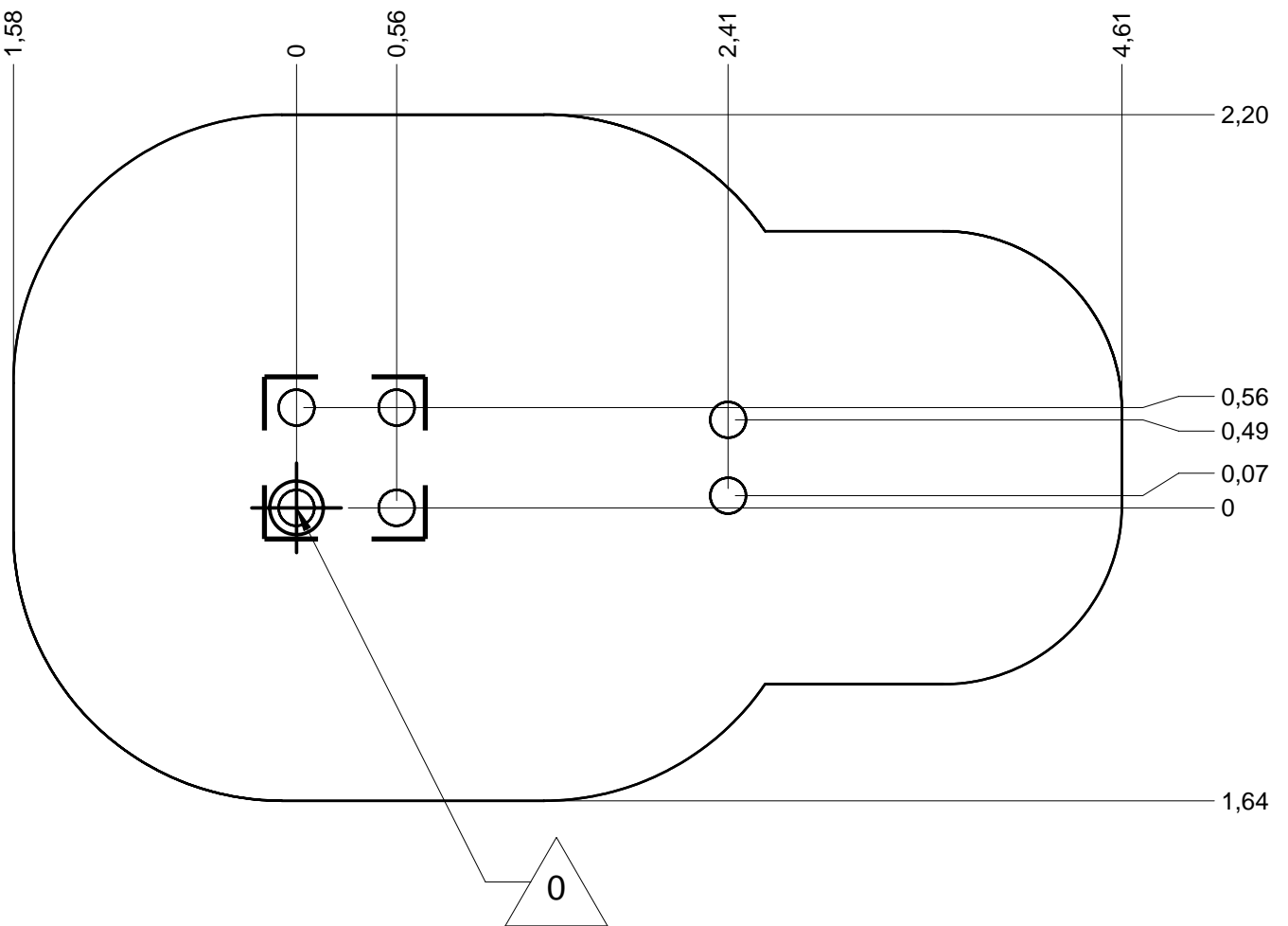
	x	y	z	w
	0.3	0.3	0.3	0.6
	0.4	0.4	0.3	0.6
	0.6	0.3	0.3	0.6

x2   
 4H   
 0.2 m<sup>3</sup>

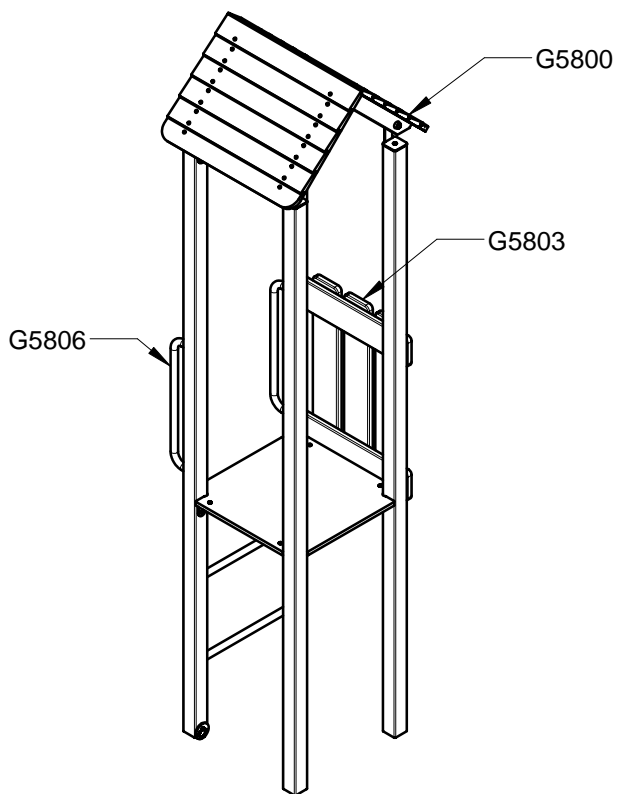
# J5801B

*ProLudic*

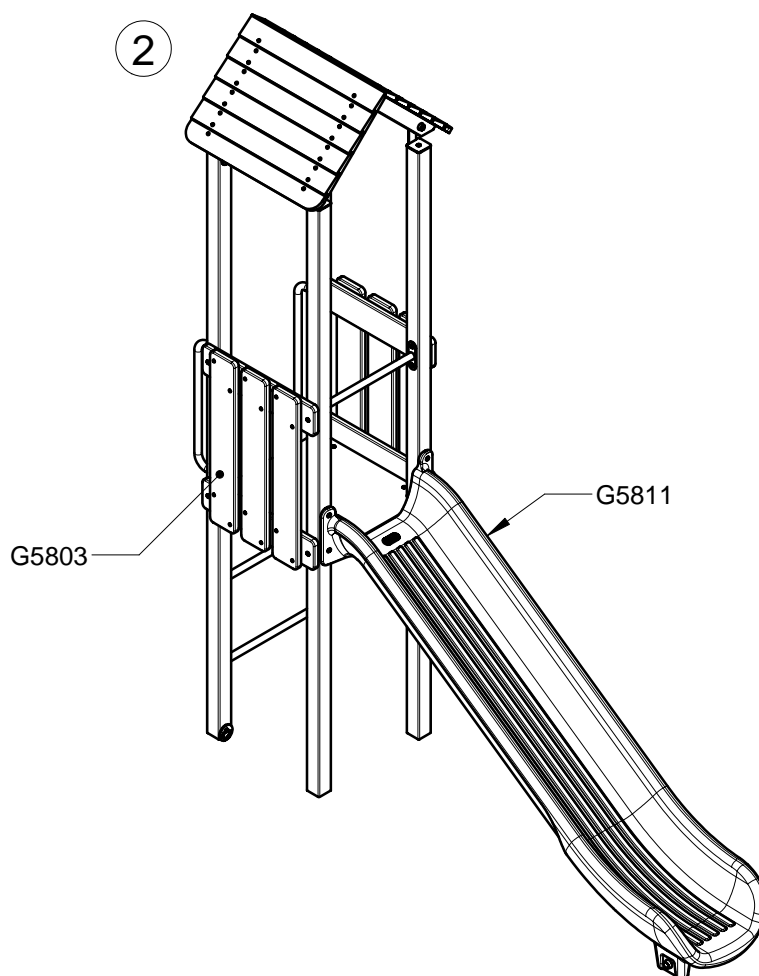
Implantation  
Footing plan  
Implantación  
Fundamentplan  
Funderingstekening



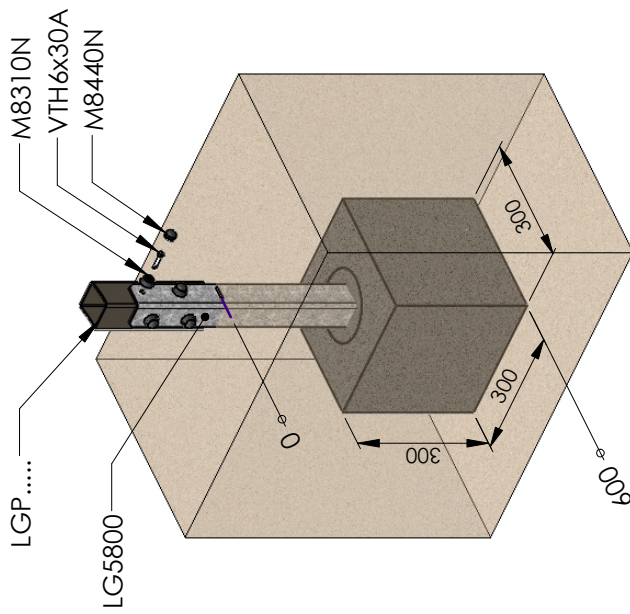
1



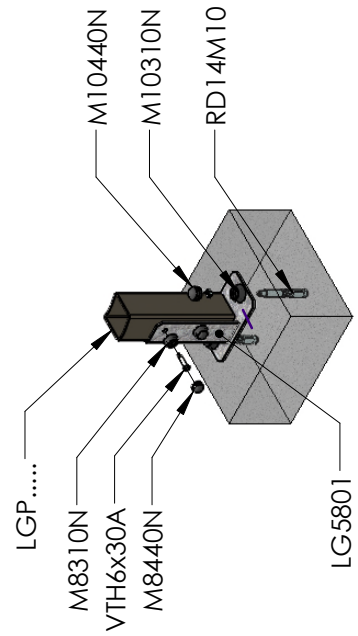
2



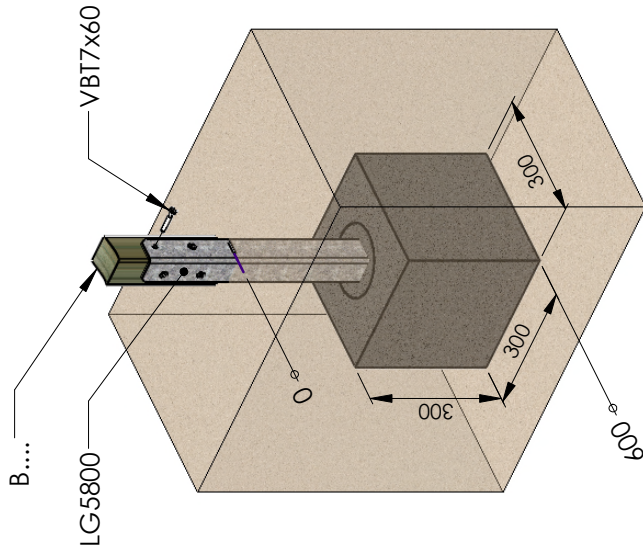
### LGP.... A



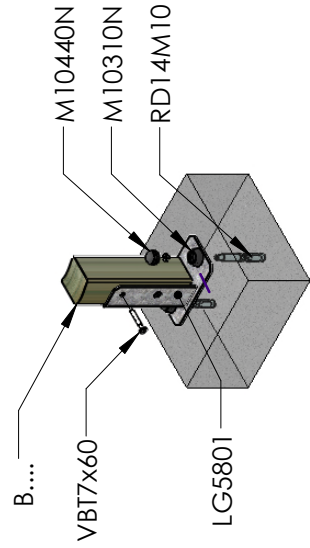
### LGP.... B



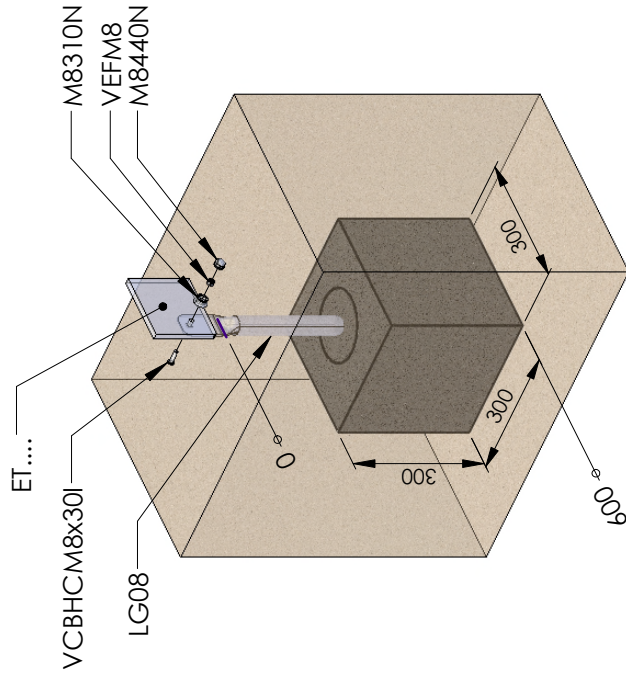
### B.... A



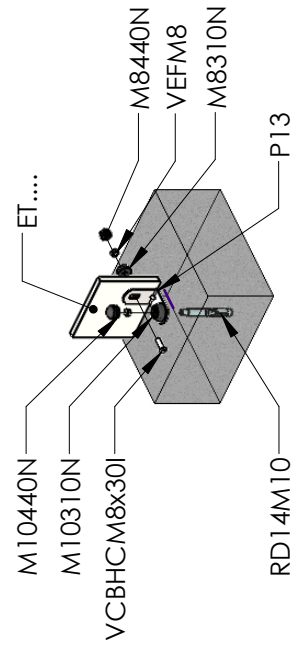
### B.... B

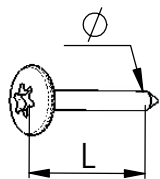


### ET.... A

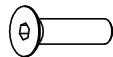


### ET.... B

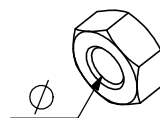




VBT 6 x 30  
 $\varnothing$  L (mm)



VFHC



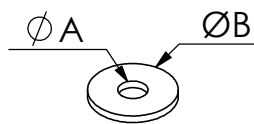
VEC M10  
 $\varnothing$




VEF




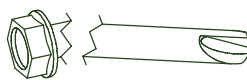
VEB



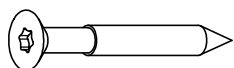
VR6x18  
 $\varnothing A$   $\varnothing B$



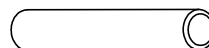
**1000 - 1800 RPM**  
 Vitesse de rotation  
 Rotation speed

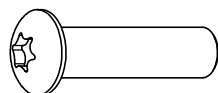
**< 14 N.m**  
 Couple de rupture  
 Breakage torque



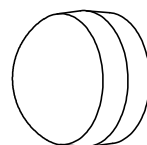
VWT



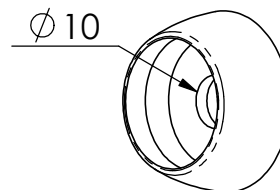
VGC



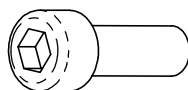
VCBHC



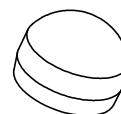
M10 440N



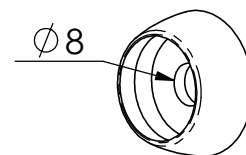
M10 310 N



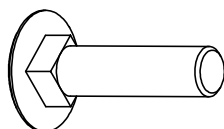
VBTR



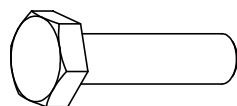
M8440N



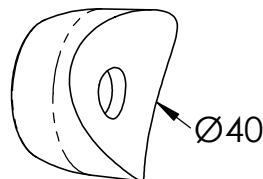
M8310N



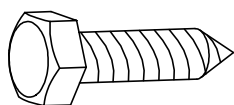
VTRCC



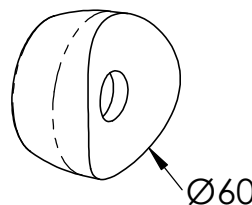
VTH



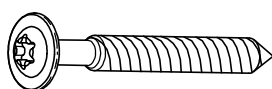
MI2503



VTF

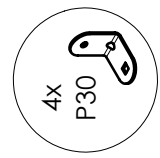
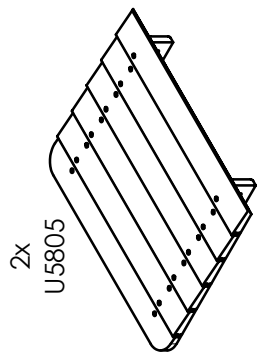
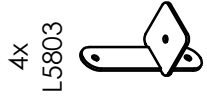
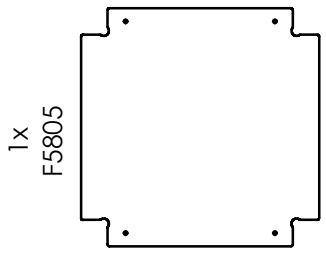
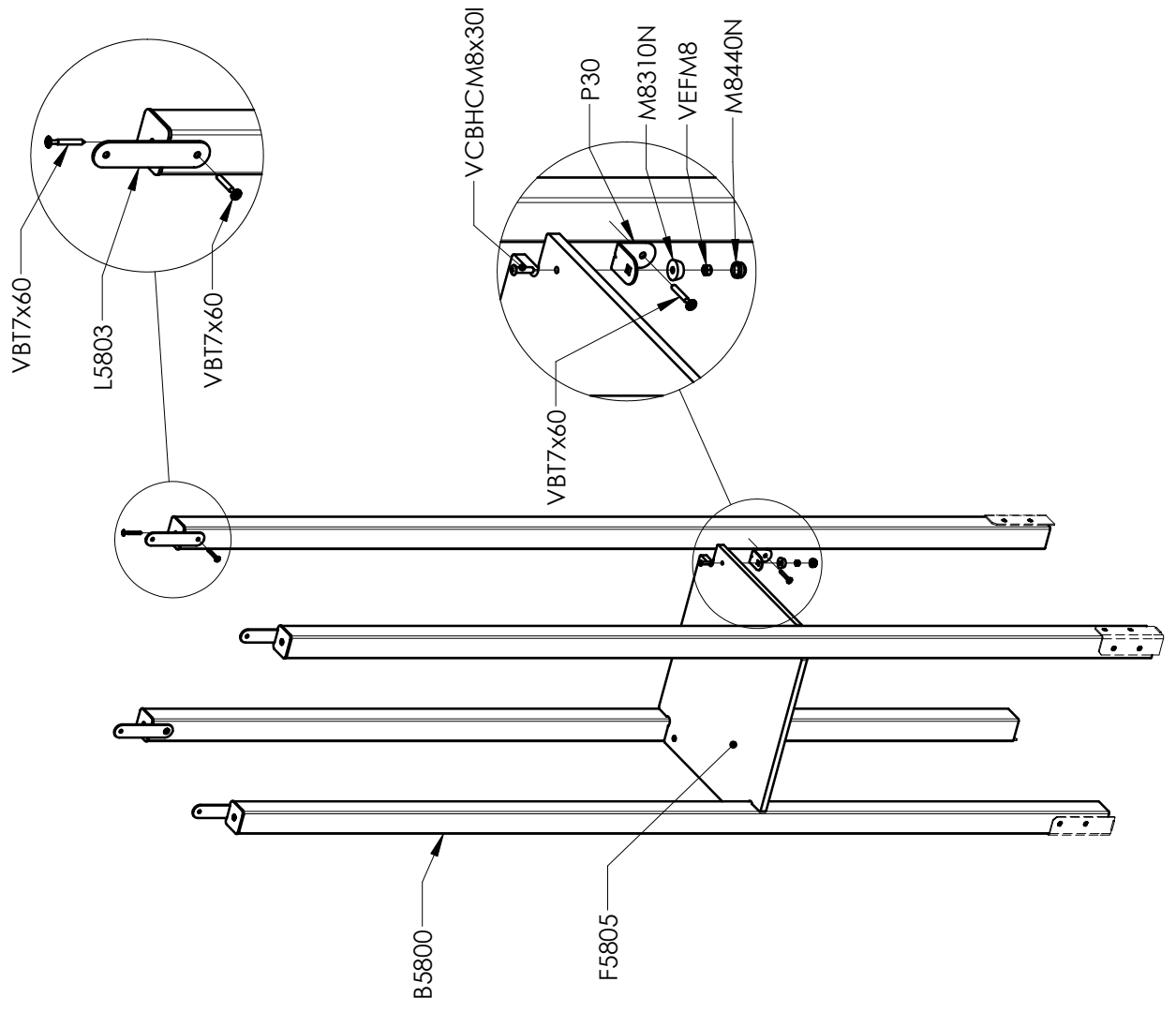
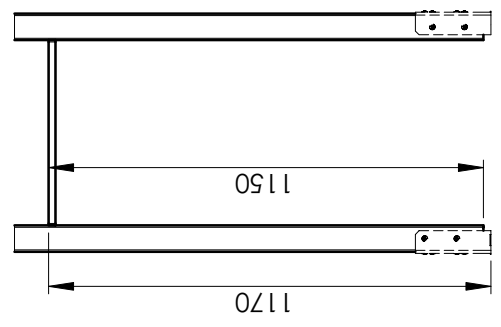


MI2701



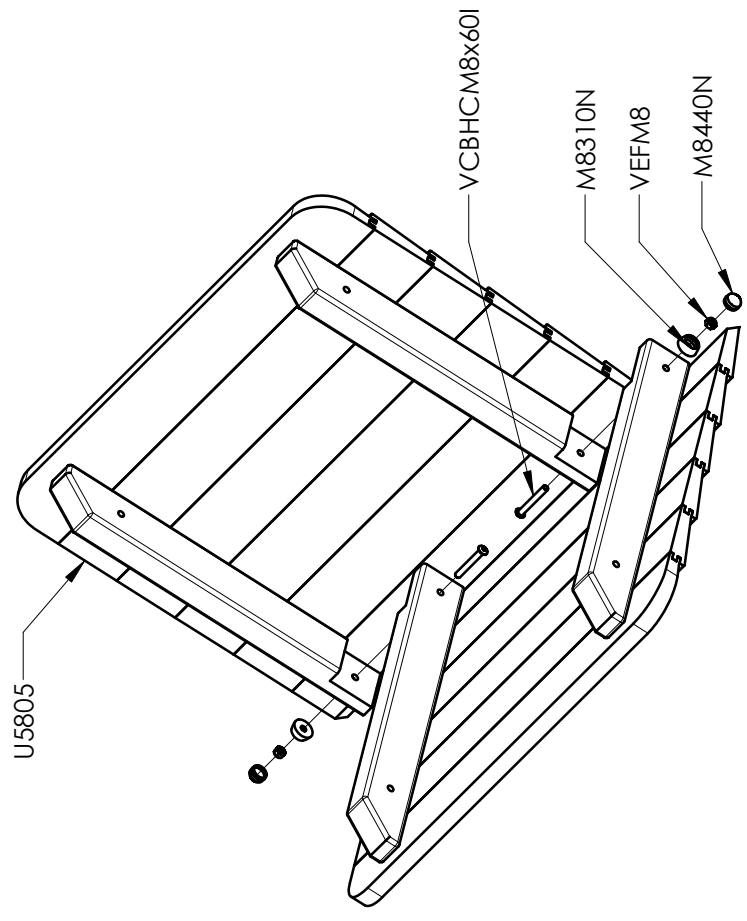
VBT

1

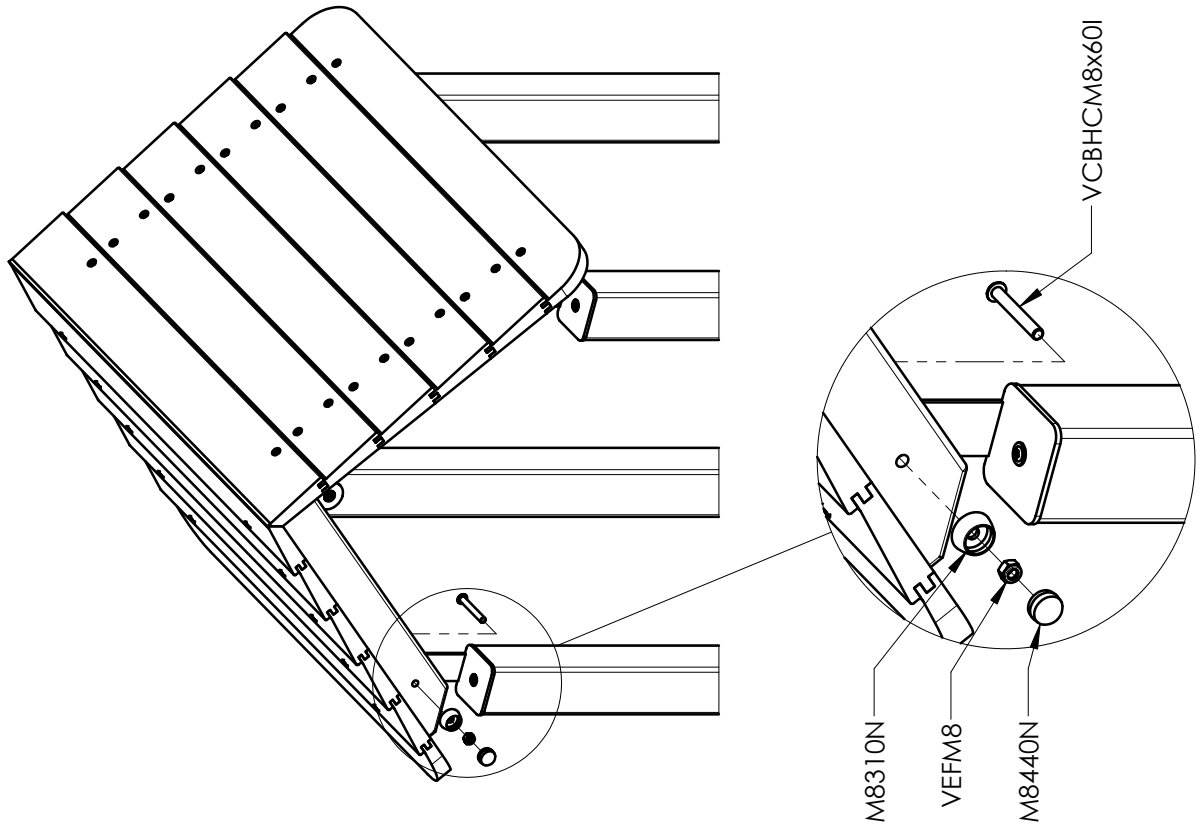


B5800	4
F5805	1
L5803	4
M8310N	10
M8440N	10
P30	4
U5805	2
VBT7x60	12
VCBHCM8x30I	4
VCBHCM8x60I	6
VEFM8	10

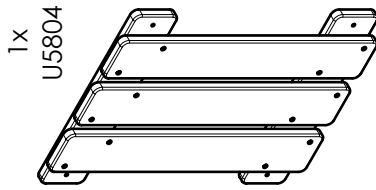
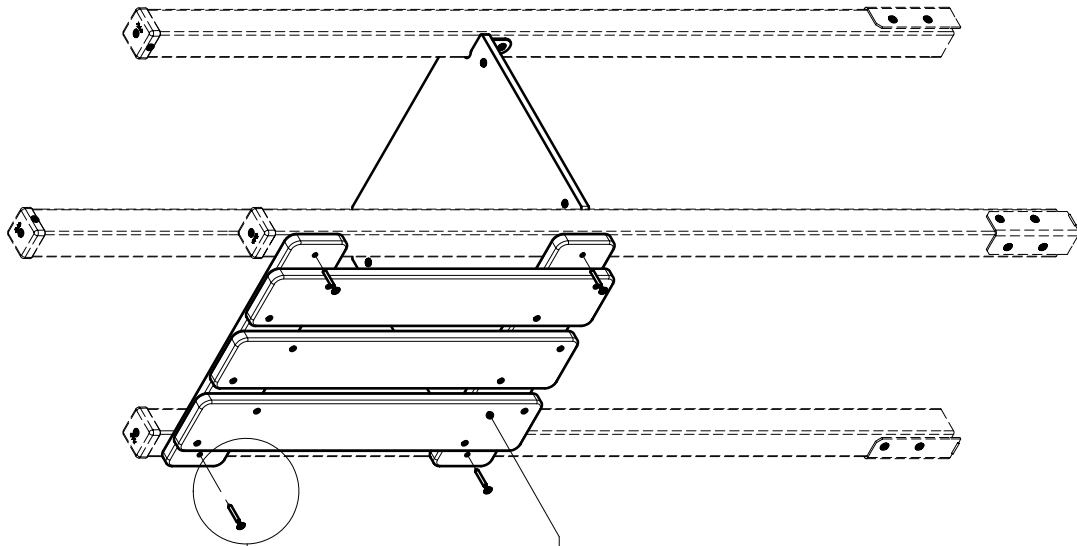
2



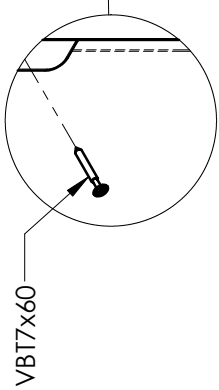
3



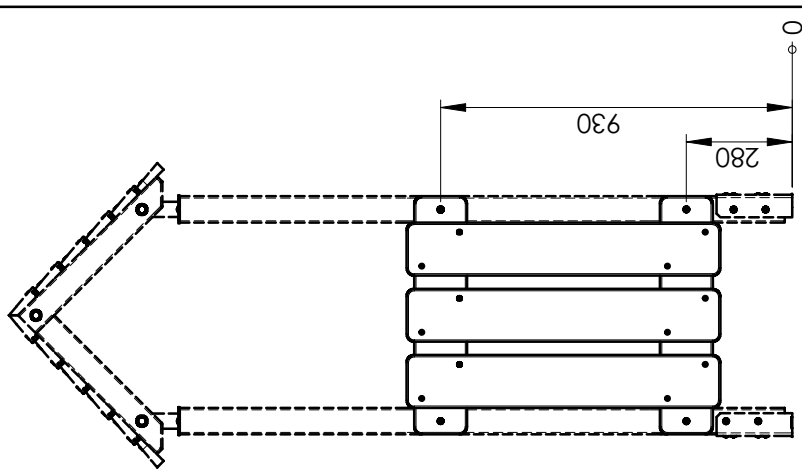
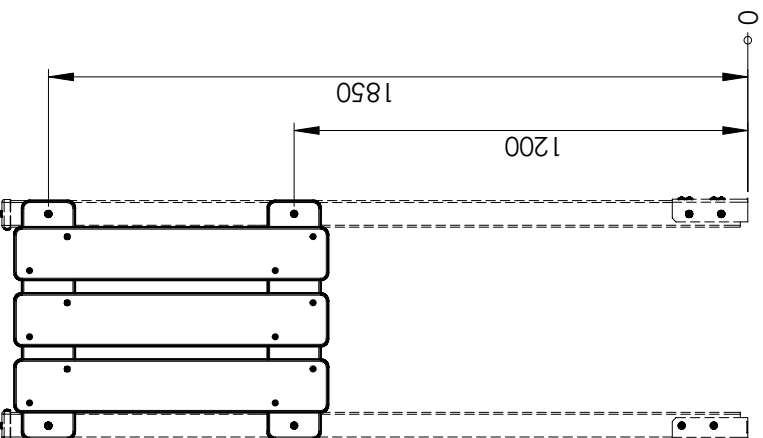




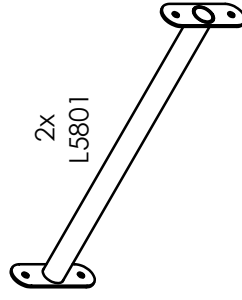
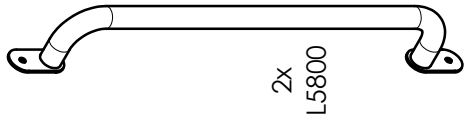
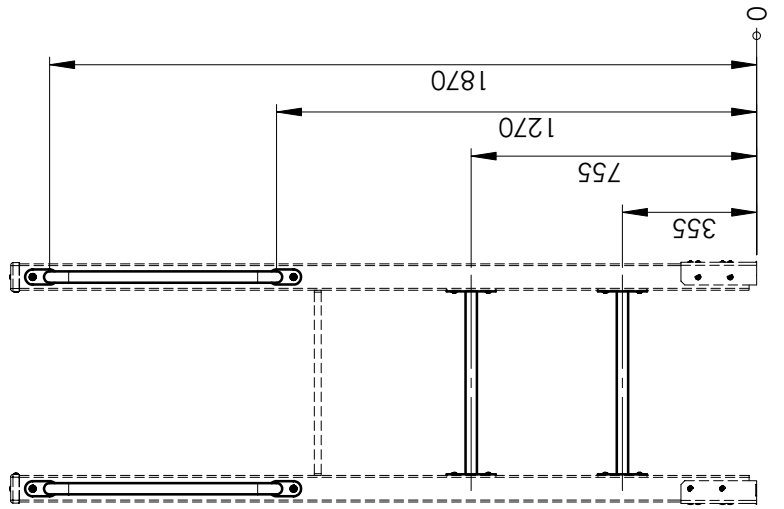
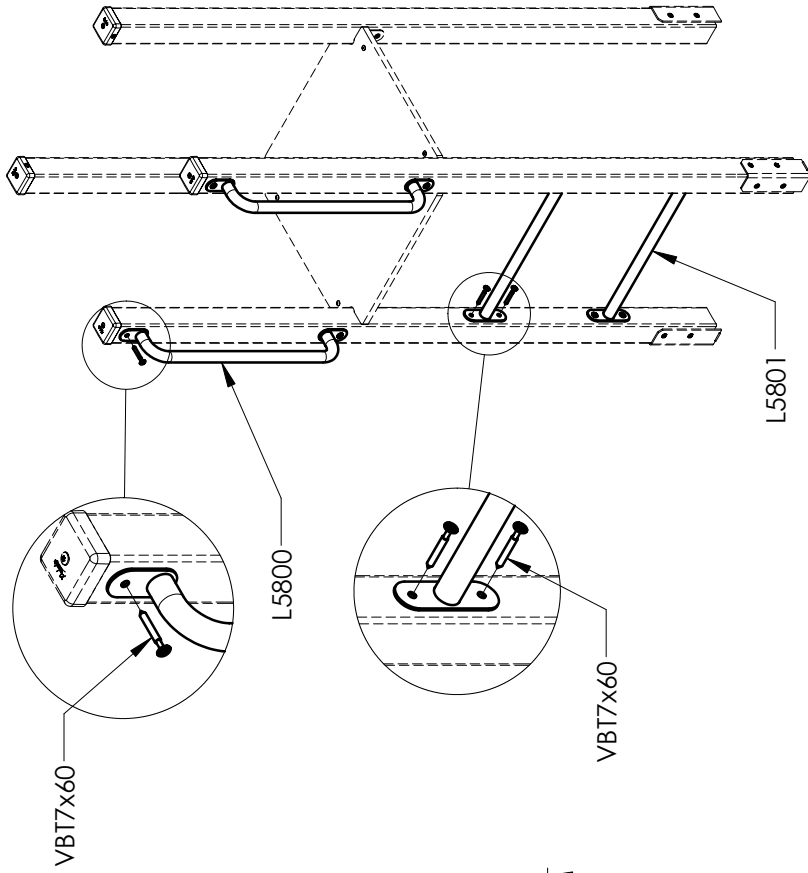
1 x  
U5804



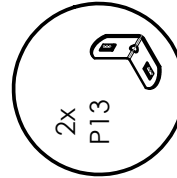
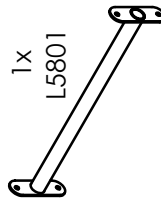
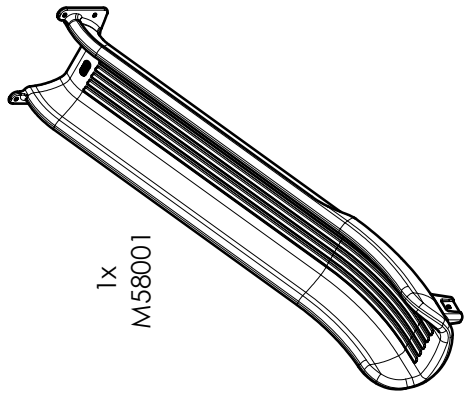
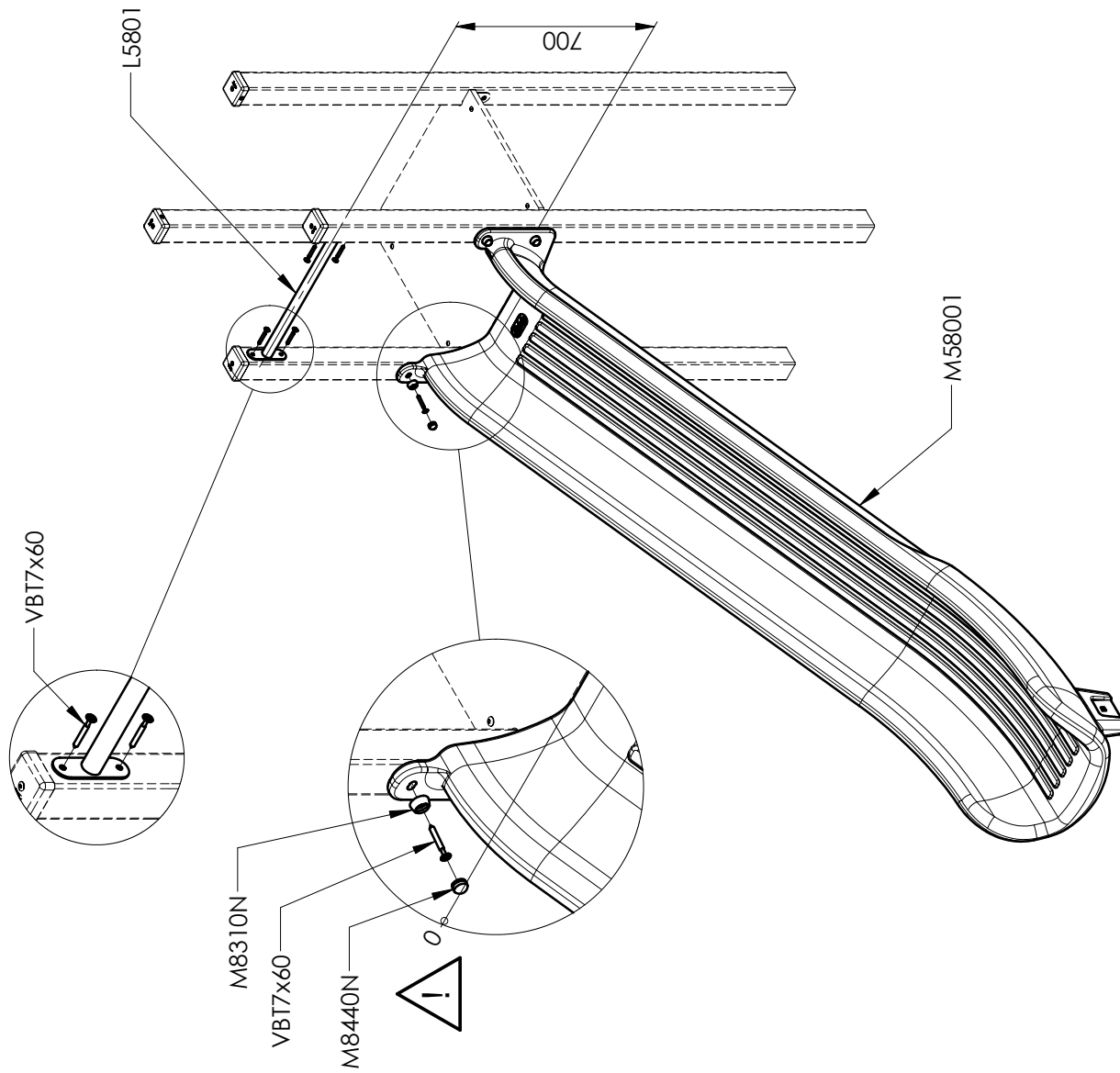
VB77x60



U5804	1	
VB77x60		4

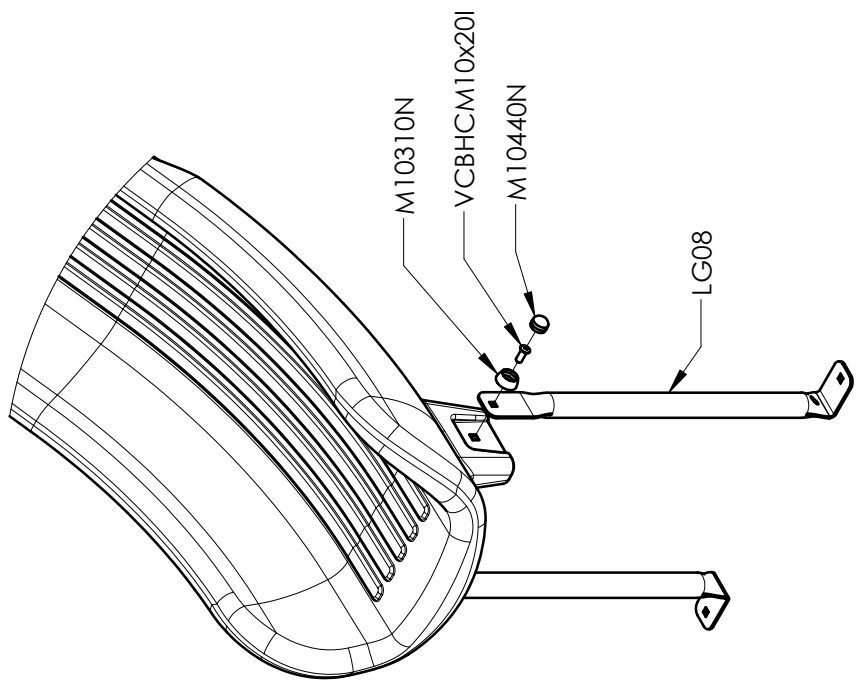
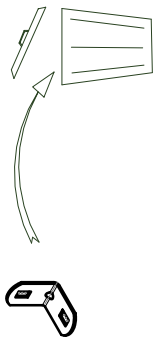


L5800	2
L5801	2
VBT7x60	12



L5801	1
M8310N	4
M8440N	4
M10310N	2
M10440N	2
M58001	1
VBT7x60	8
VCBHC M10x20I	2

**A**



**B**

