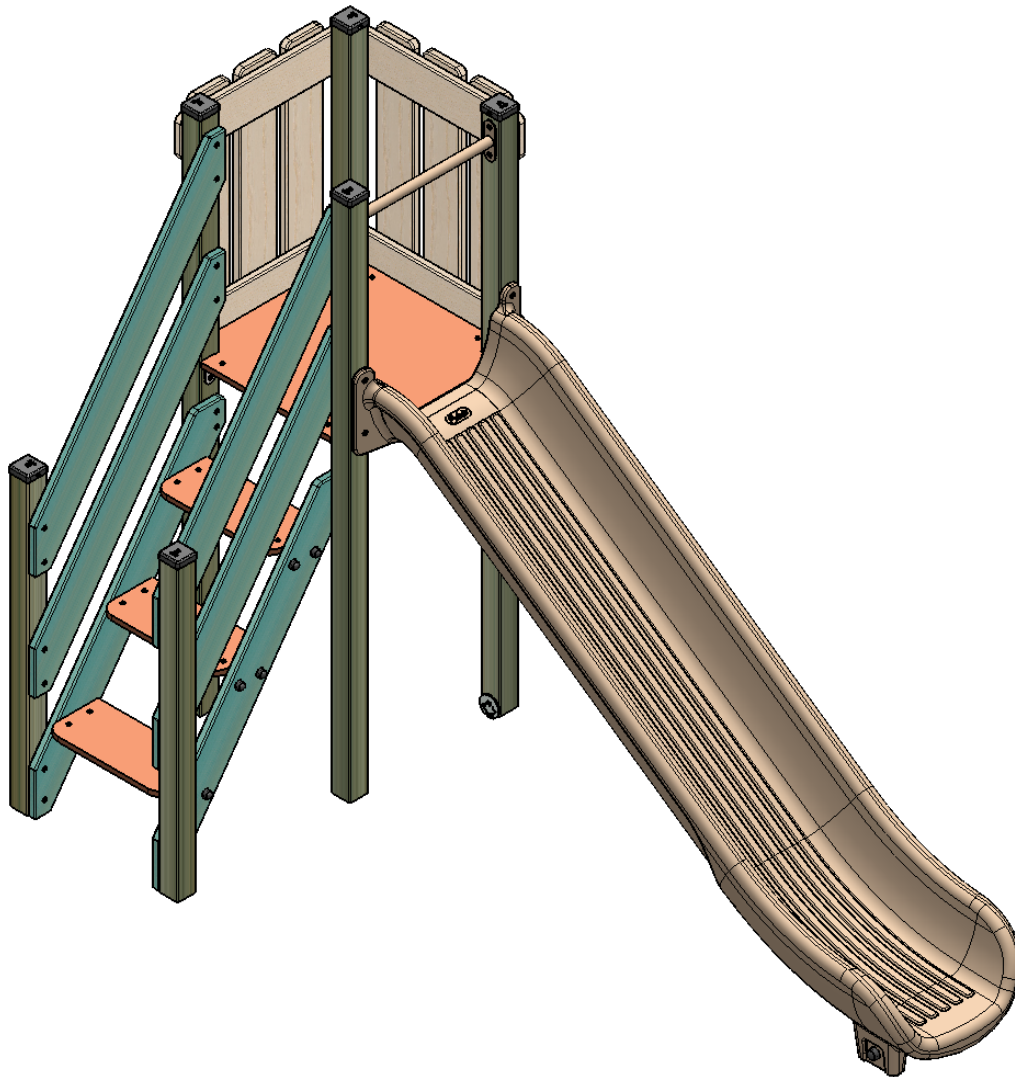


J5800

Proludic



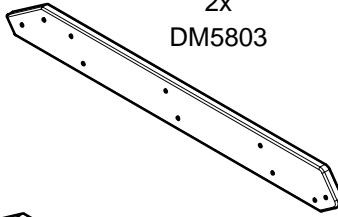
4x
B5801



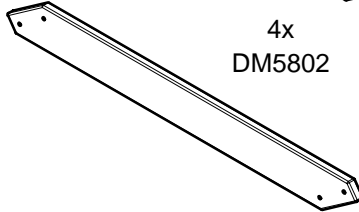
2x
B5802



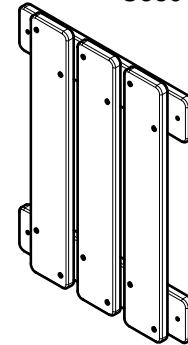
2x
DM5803



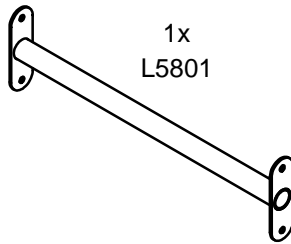
4x
DM5802



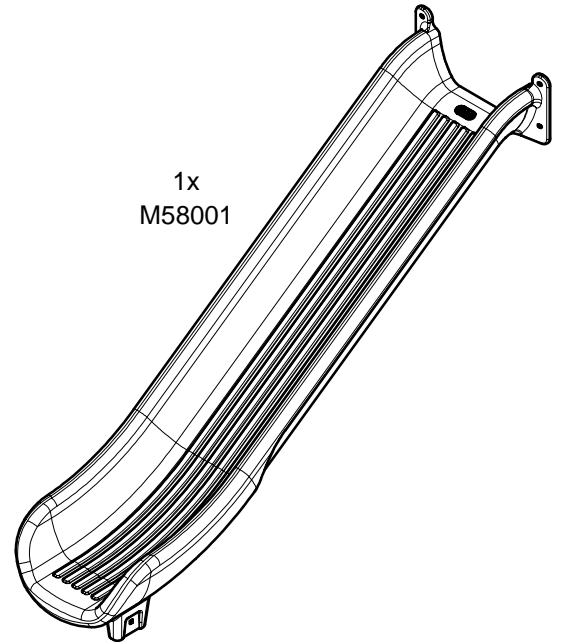
2x
U5804



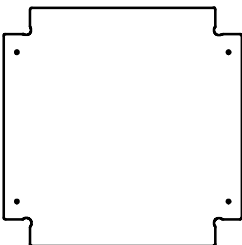
1x
L5801



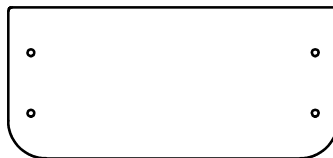
1x
M58001



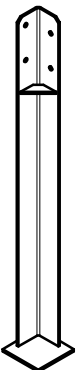
1x
F5805



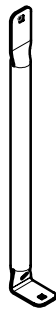
3x
F5810



6x
LG5800



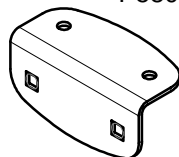
2x
LG08



4x
P30



6x
P5800

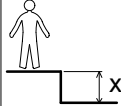
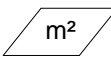


6x
M68*68



LA000	1
M10310N	2
M10440N	2
M8310N	32
M8440N	32
M10002	1
VBT6*35	12
VBT7*60	69
VCBHCM10*20I	2
VCBHCM8*30I	16
VCBHCM8*40I	12
VEFM8	28



N°		
1	1 m	6.5 m ²
2	1.17 m	14.5 m ²

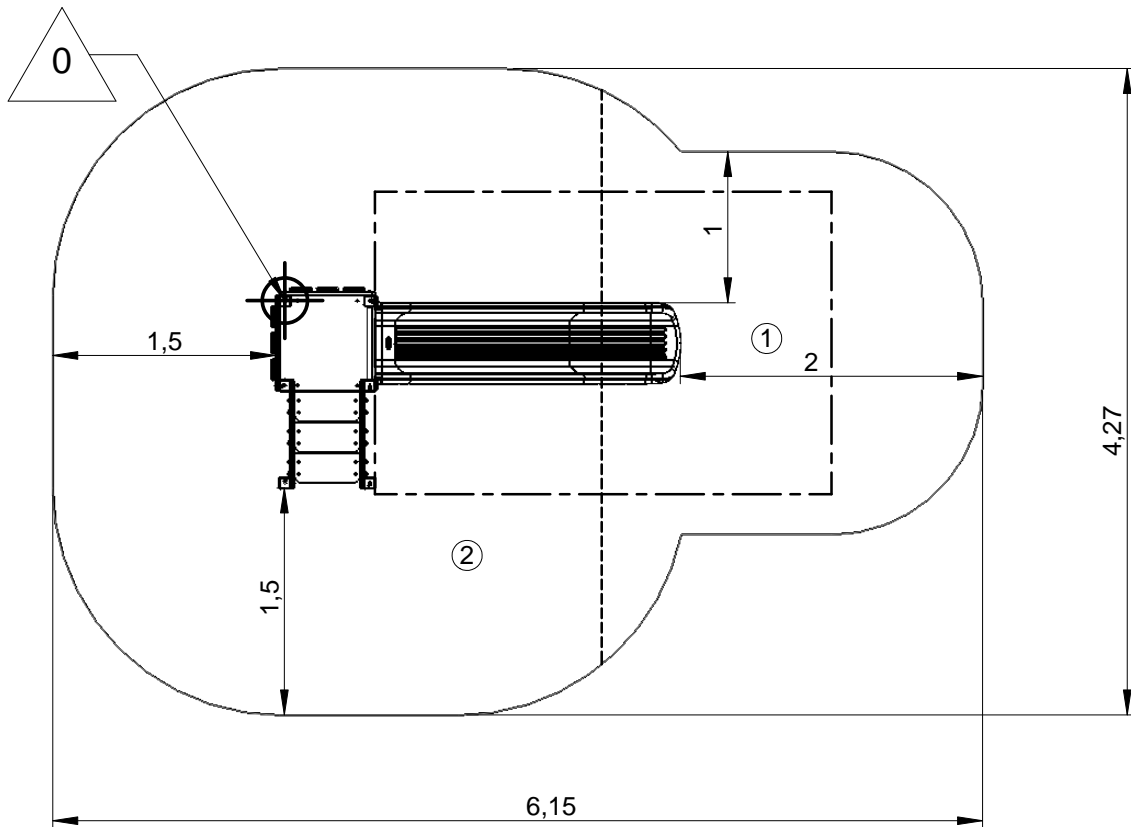
— Zone d'impact
Impact area
Area de impacto
Fallraum
Valzone

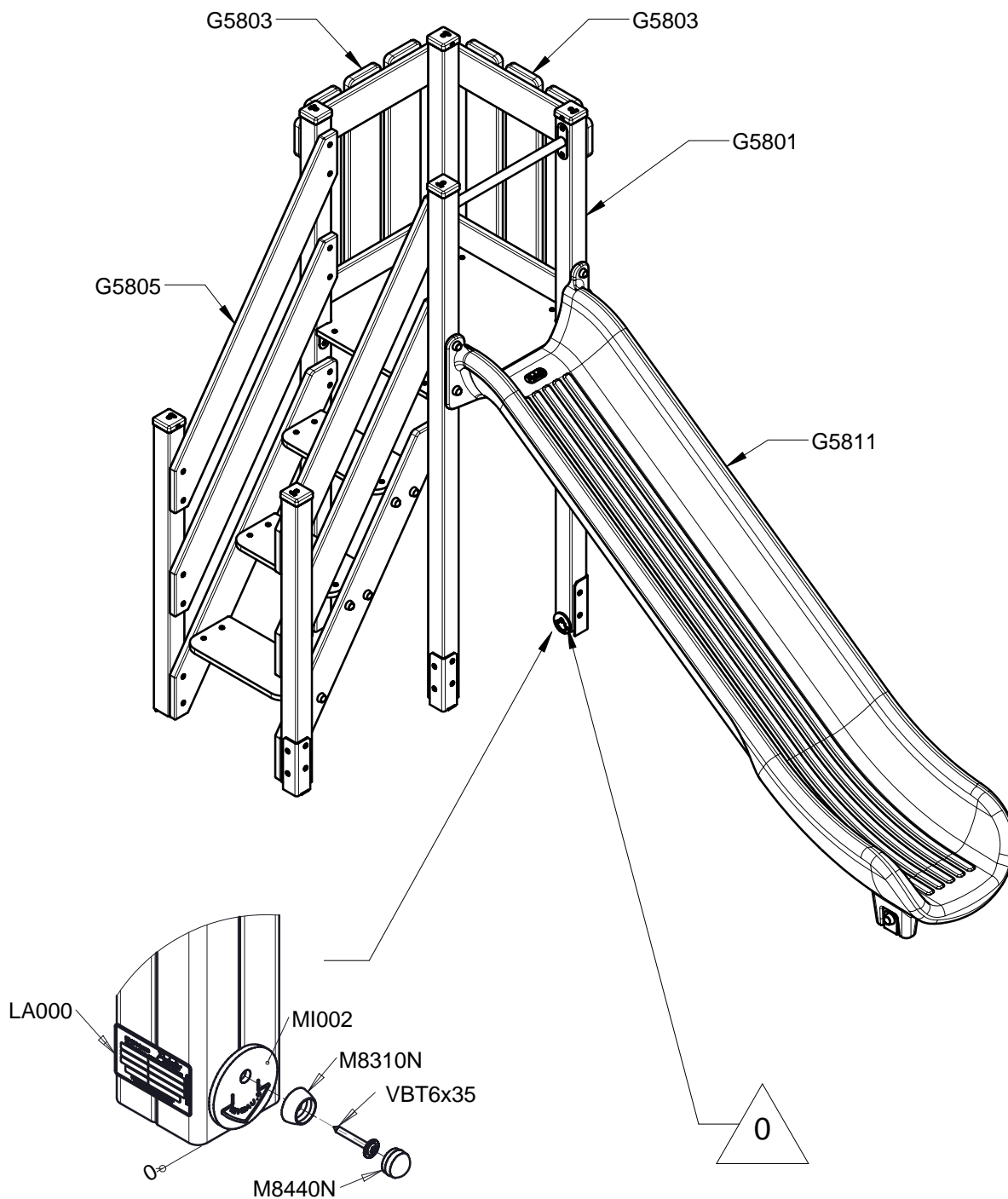


Point de référence
Setting out point
Punto de referencia
Bezugspunkt
Referentiepunt

- - - Espace libre
Free space
Espacio libre
Freiraum
Vrije ruimte

EN1176-1:2017
EN1176-3:2017

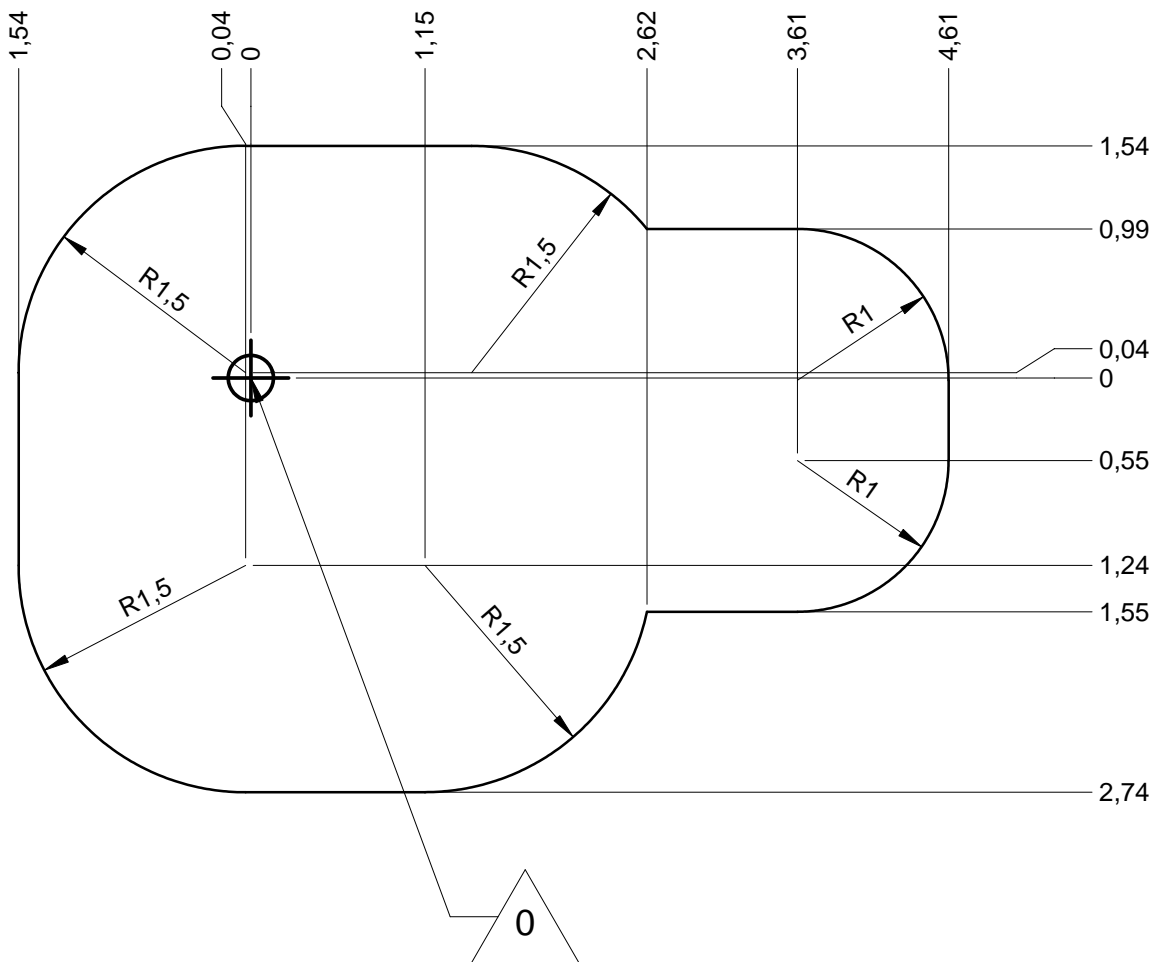




G5803	2
G5801	1
G5805	1
G5811	1

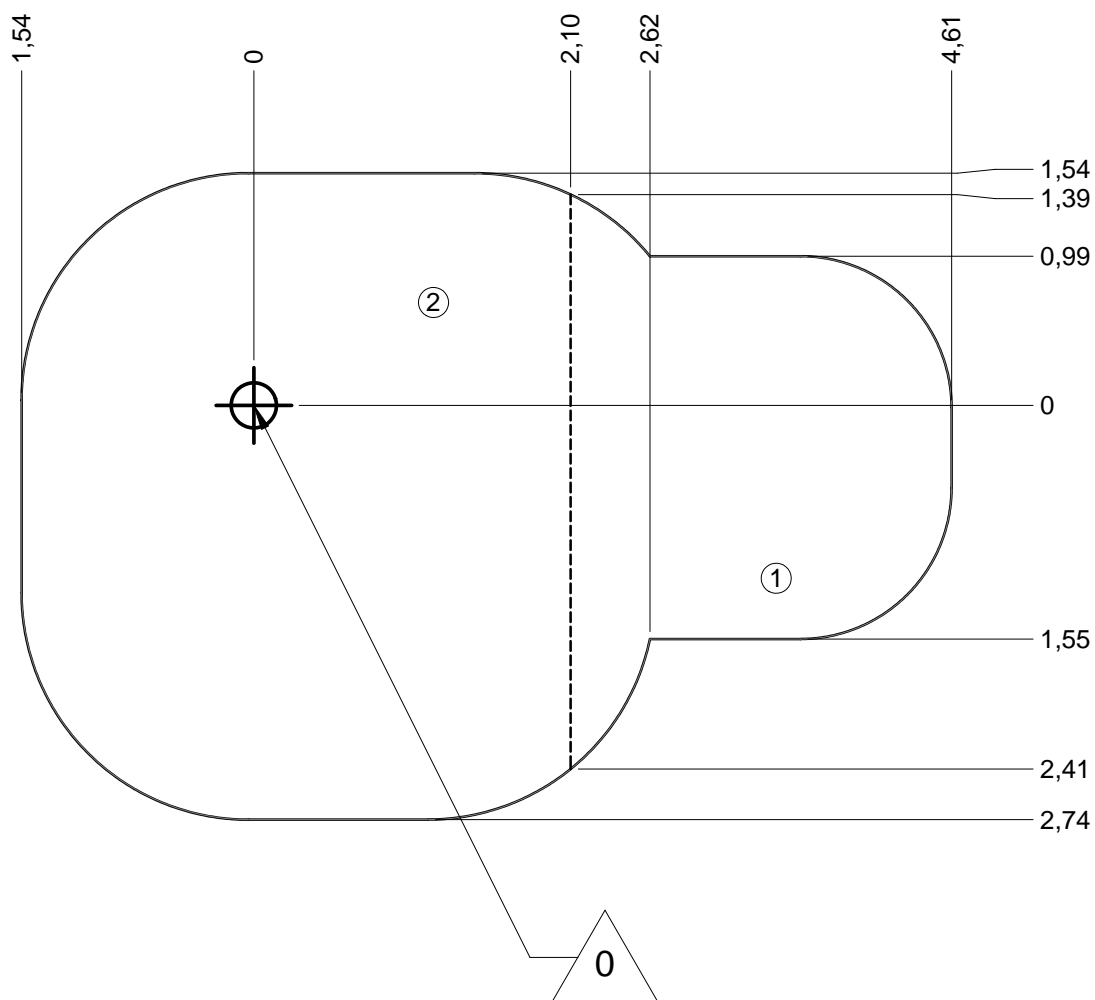
— Zone d'impact
 Impact area
 Area de impacto
 Fallraum
 Valzone

21 m²



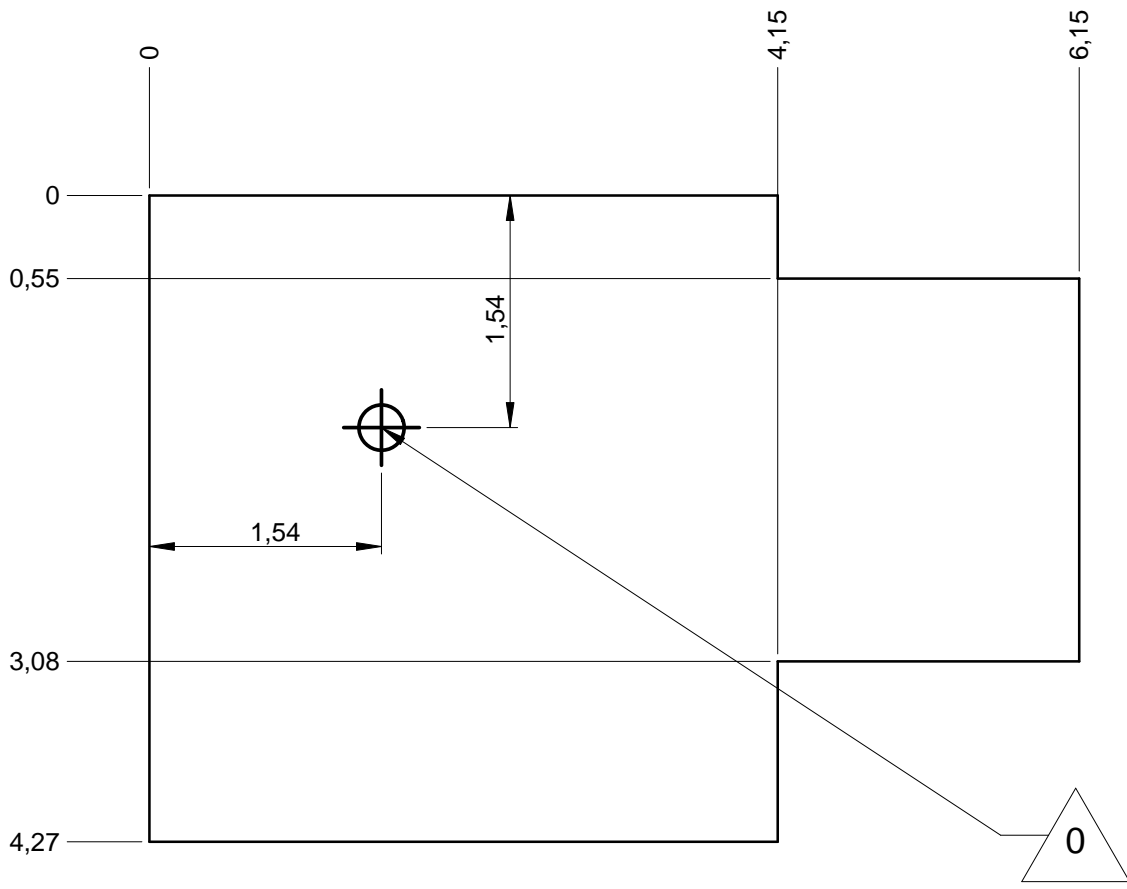
— Sol souple
 Wetpour
 Caucho continuo
 Synthetischer Fallschutz
 Gietvloer

21 m²

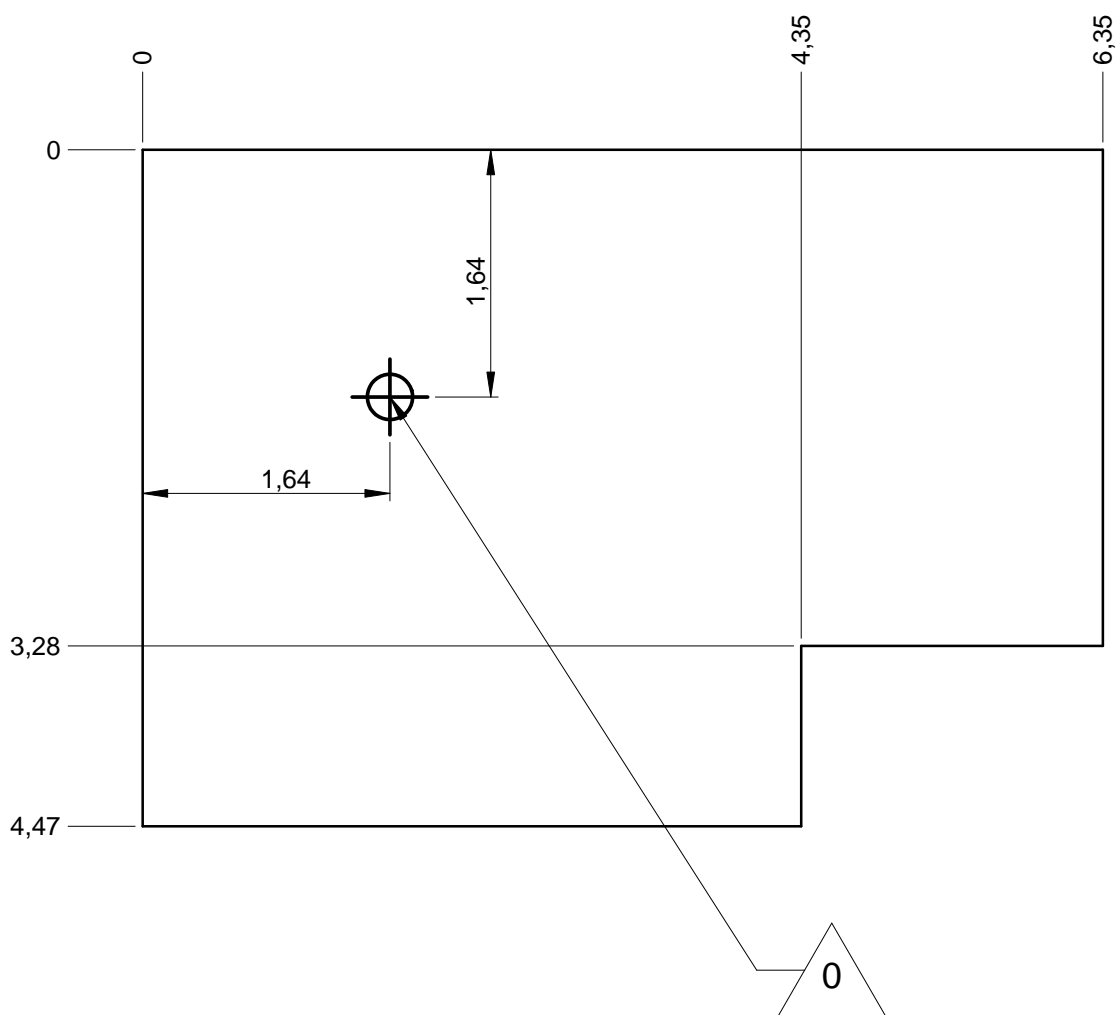


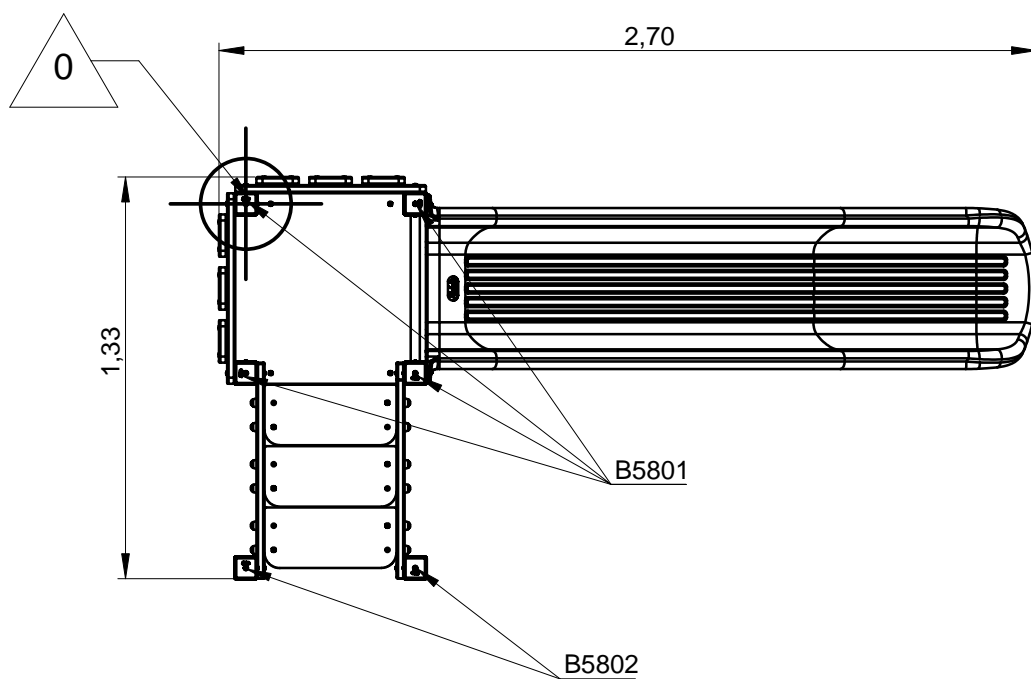
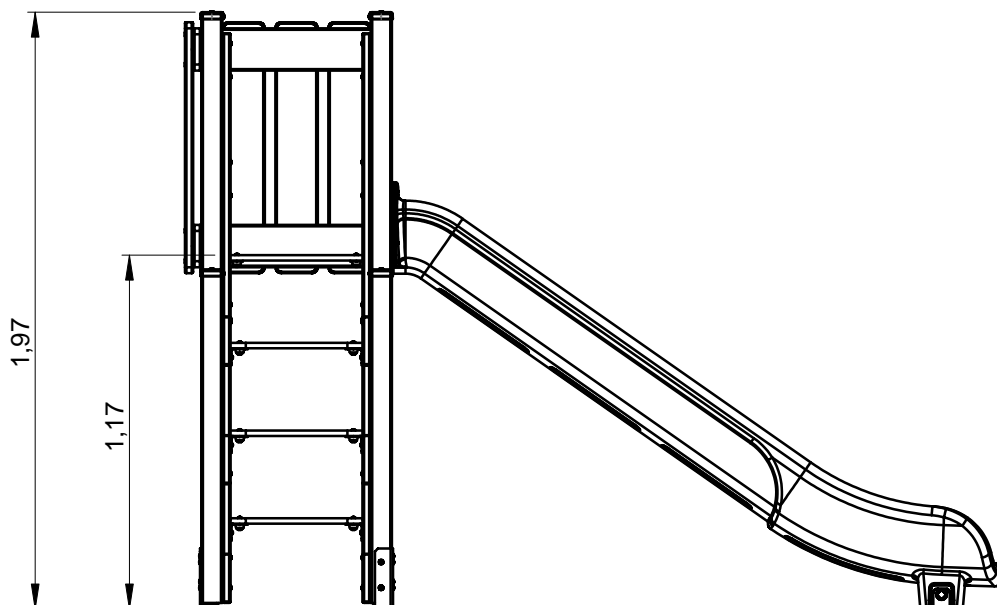
— Dalle béton
Concrete pad
Solera de hormigon
Beton Bodenplatte
Betonnen bodemplaat

21 m
23 m²



— Sol fluent
Loos partucule material 23 m
Arenero
Loses Bodenmaterial 27 m²
Los bodemmaterial

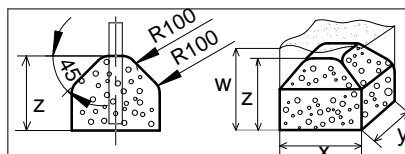
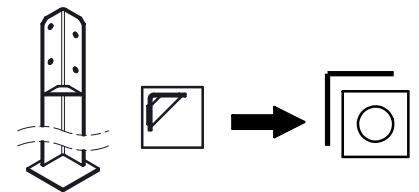
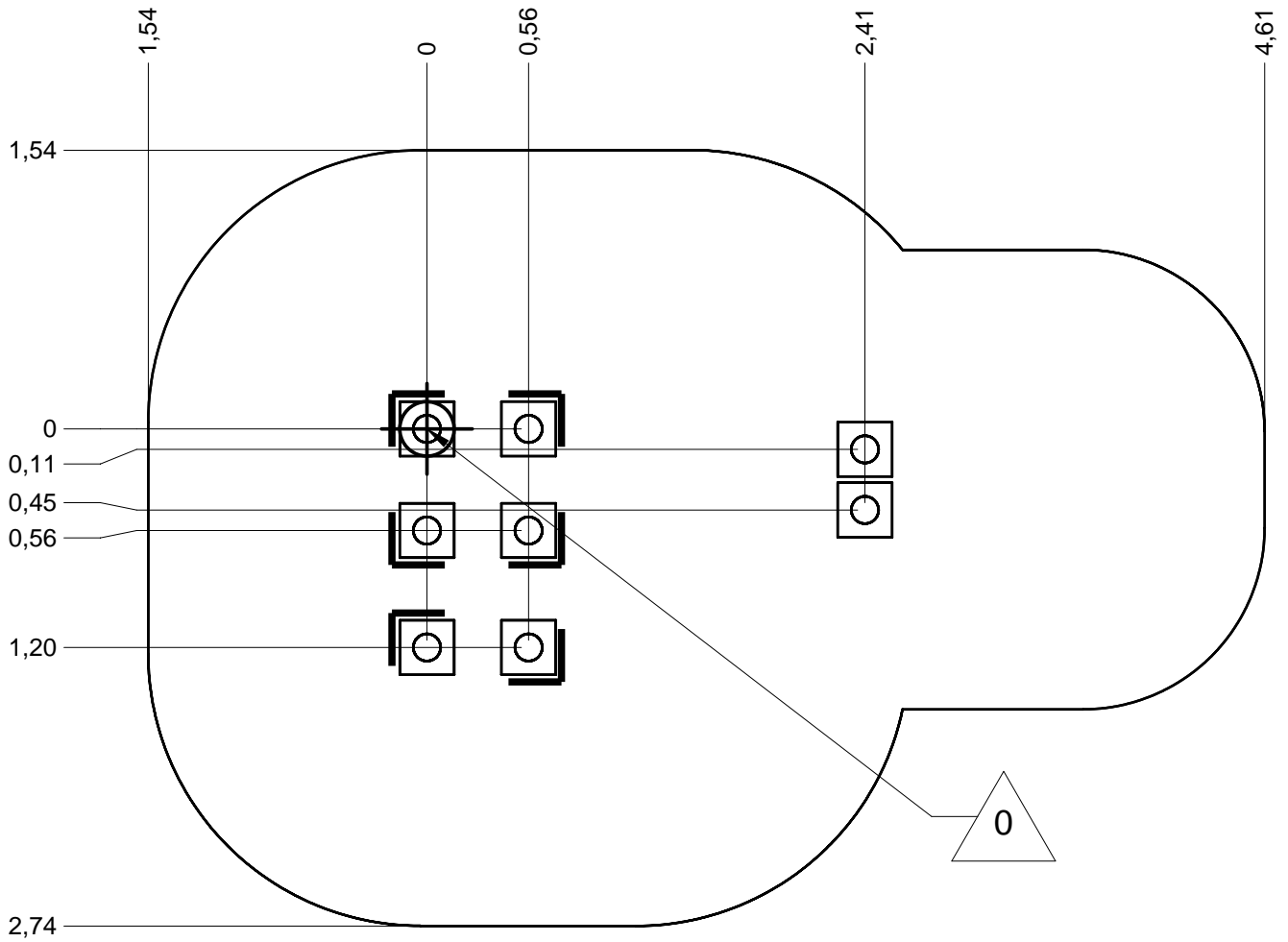




J5800A

ProLudic

Implantation
 Footing plan
 Implantación
 Fundamentplan
 Funderingstekening



	x	y	z	w
	0.3	0.3	0.3	0.6
	0.4	0.4	0.3	0.6
	0.6	0.3	0.3	0.6

x2

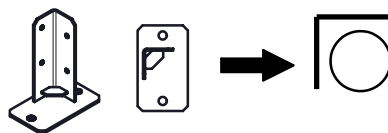
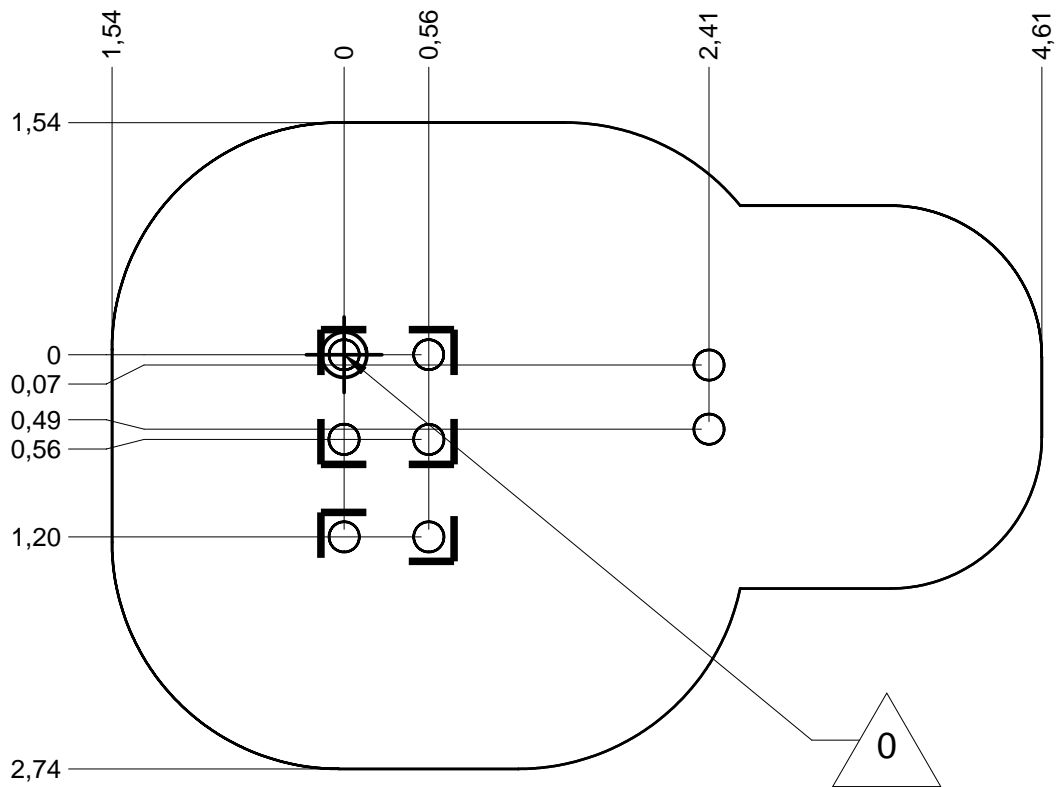
4H

0.3 m³

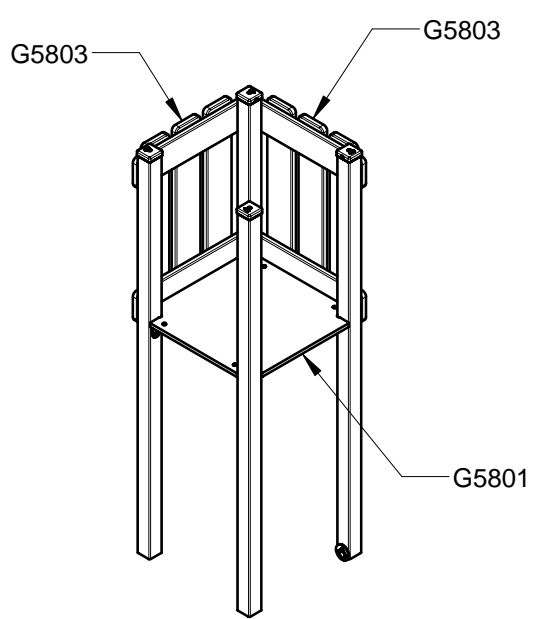
J5800B

Proludic

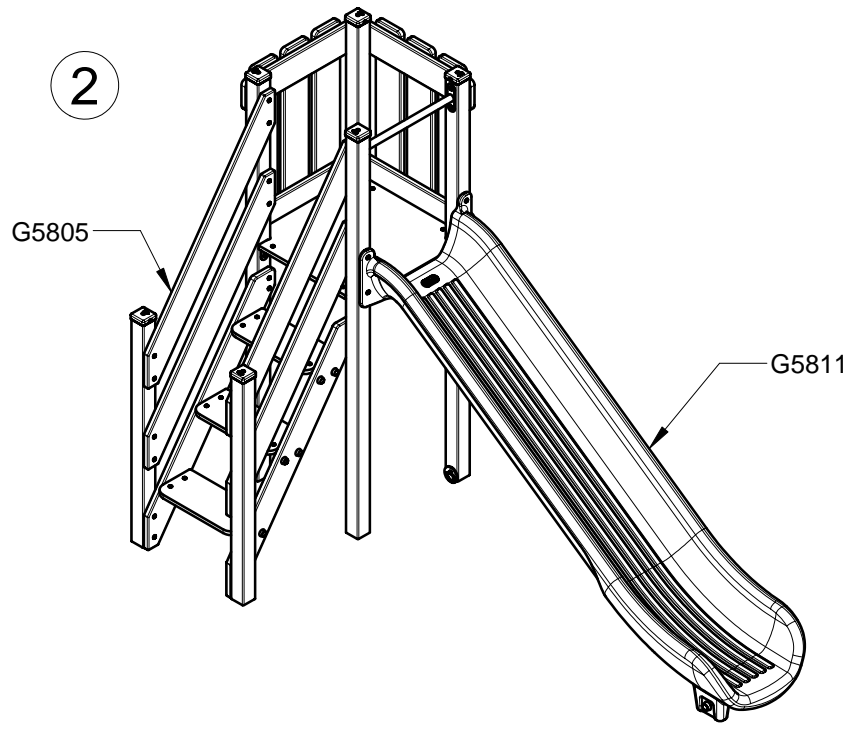
Implantation
Footing plan
Implantación
Fundamentplan
Funderingstekening



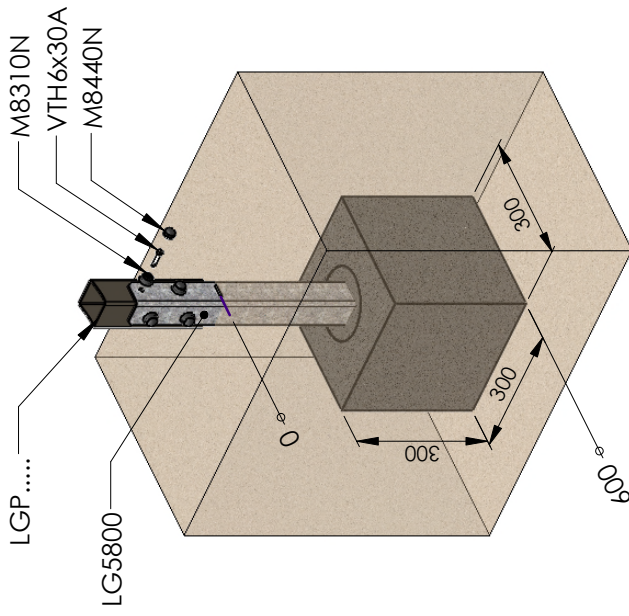
1



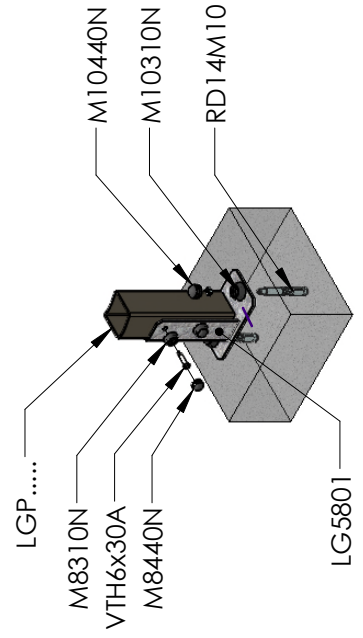
2



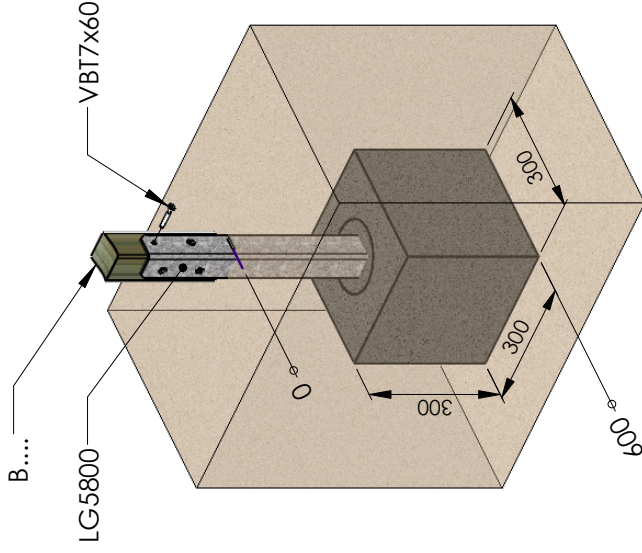
LGP.... A



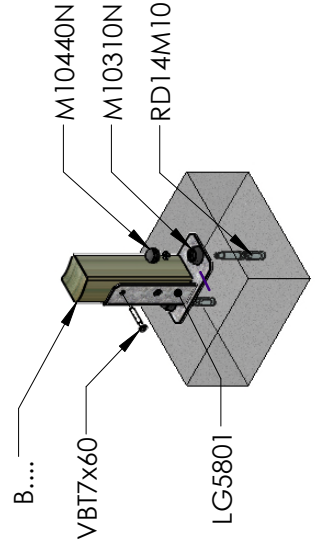
LGP.... B



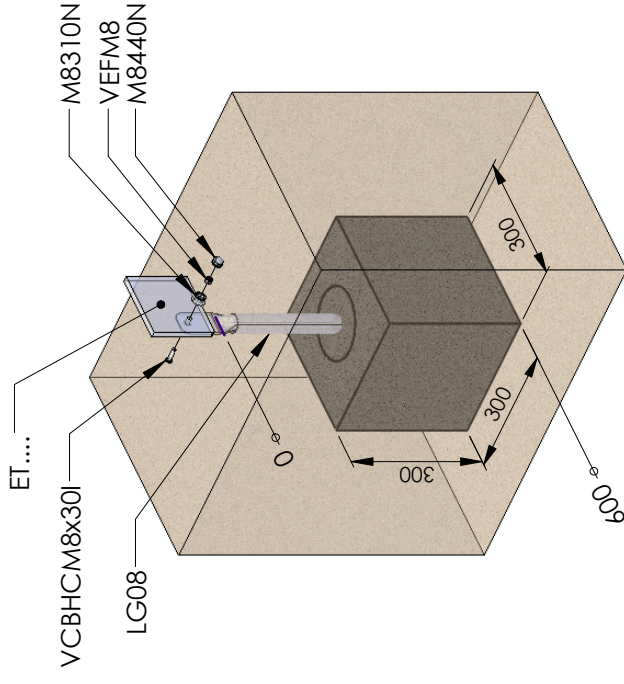
B.... A



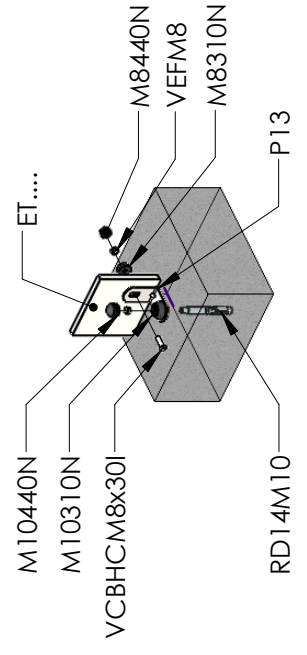
B.... B

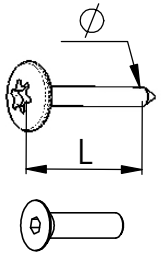


ET.... A



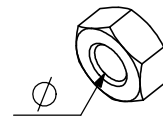
ET.... B



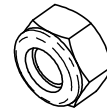


VBT 6 x 30
 \varnothing L (mm)

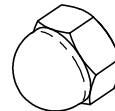
VFHC



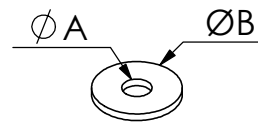
VEC M10
 \varnothing



VEF



VEB

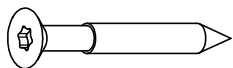


VR6x18
 $\varnothing A$ $\varnothing B$

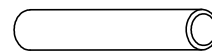
VTHA

1000 - 1800 RPM
 Vitesse de rotation
 Rotation speed

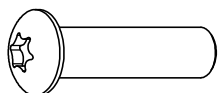
< 14 N.m
 Couple de rupture
 Breakage torque



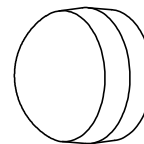
VWT



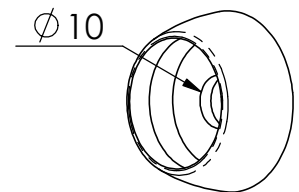
VGC



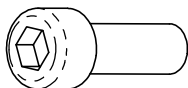
VCBHC



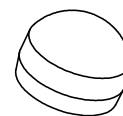
M10 440N



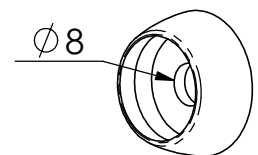
M10 310 N



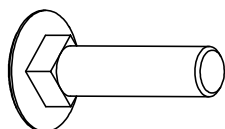
VBTR



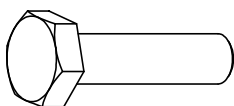
M8440N



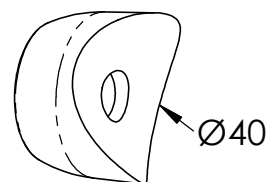
M8310N



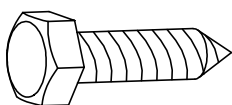
VTRCC



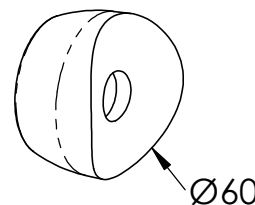
VTH



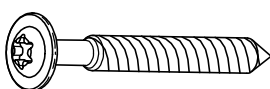
MI2503



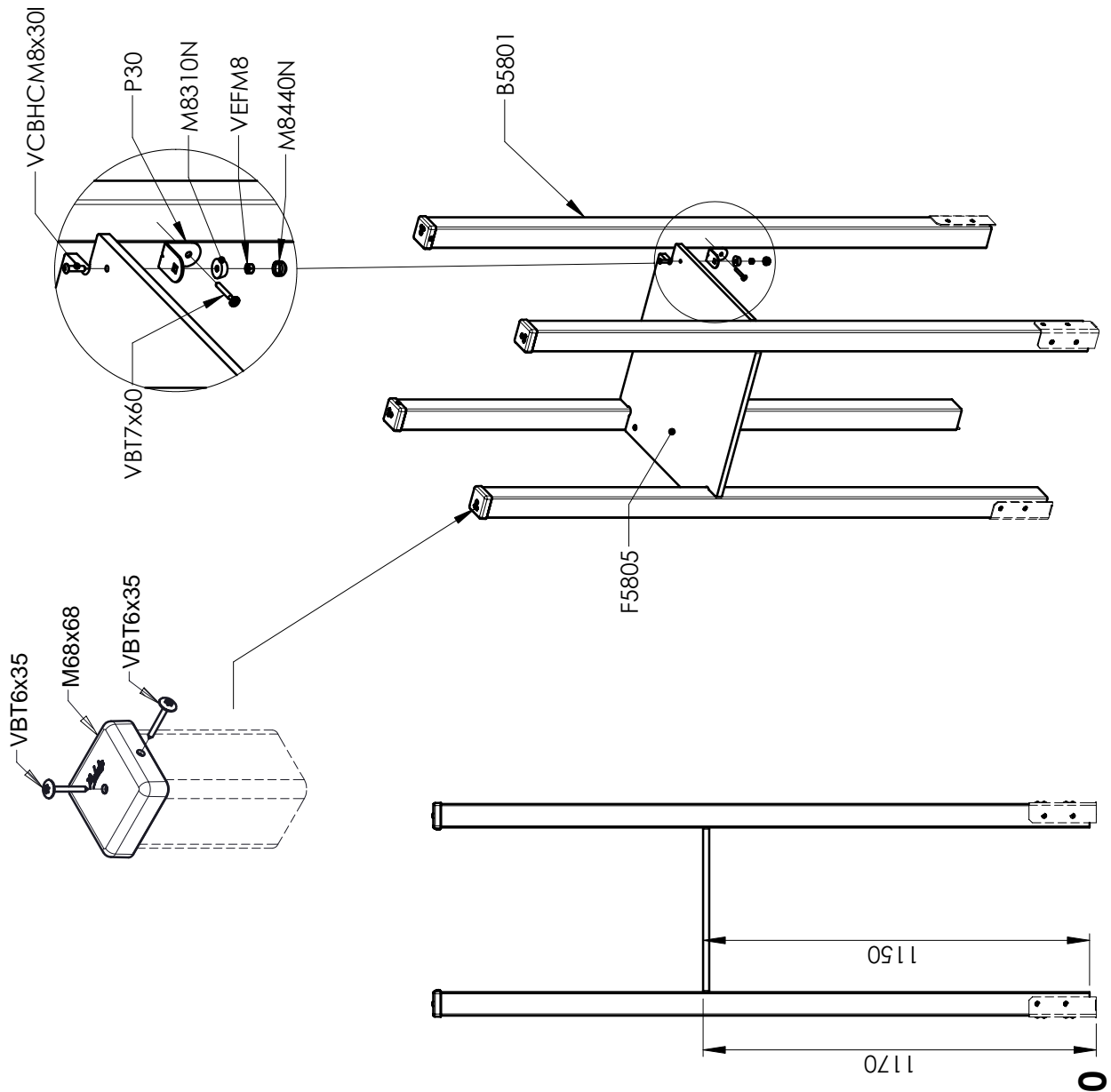
VTF



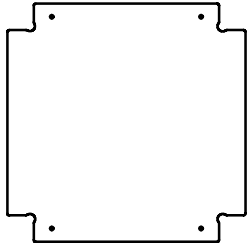
MI2701



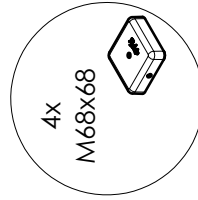
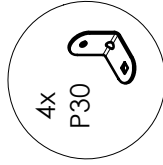
VBT



1x
F5805

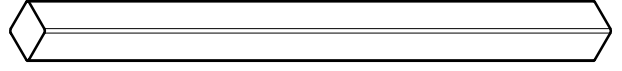
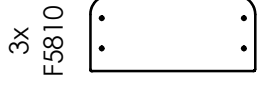
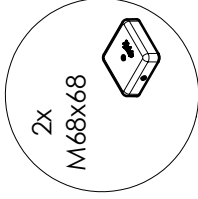
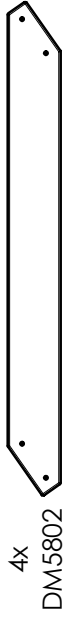
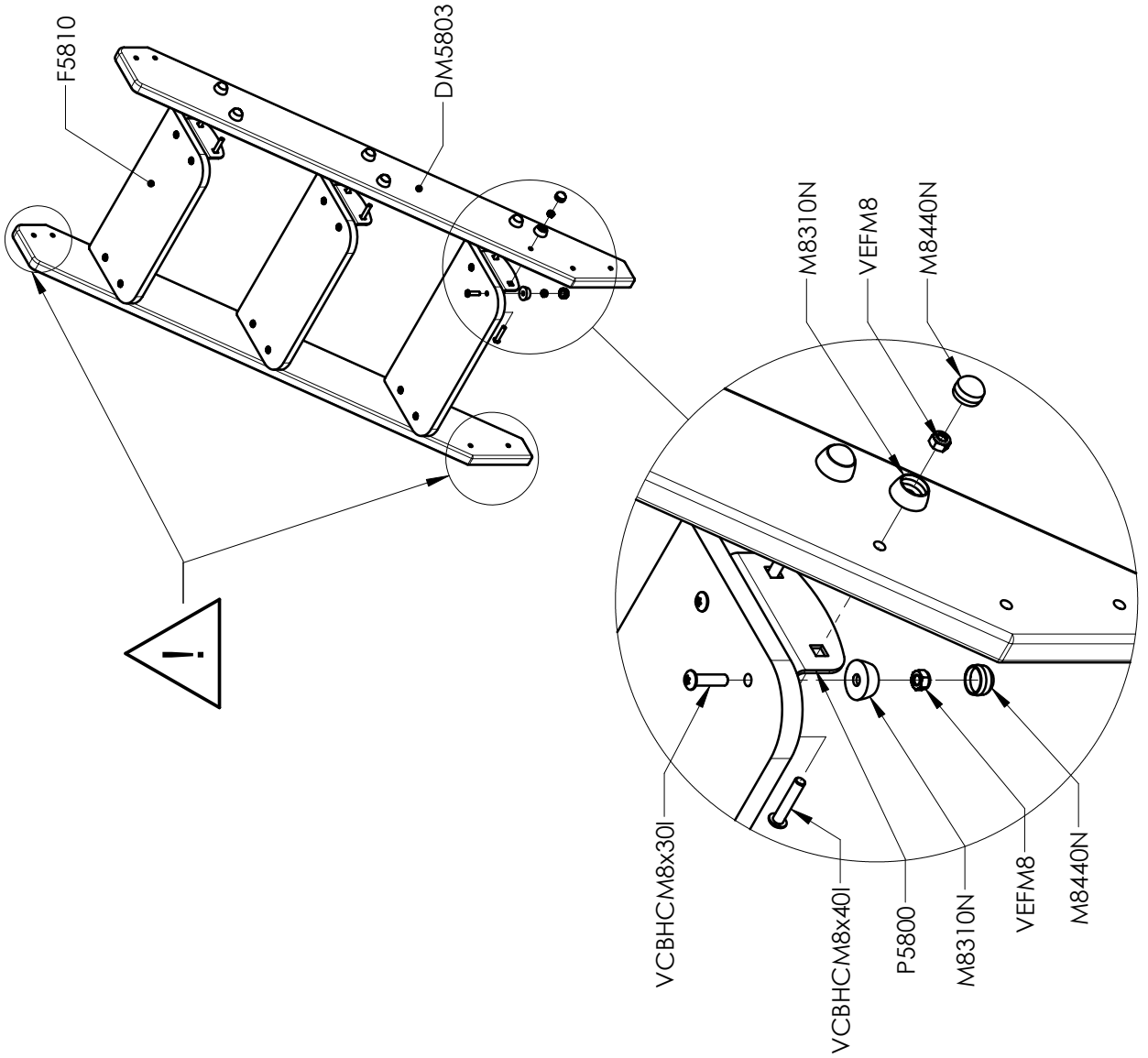
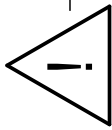


4x
B5801



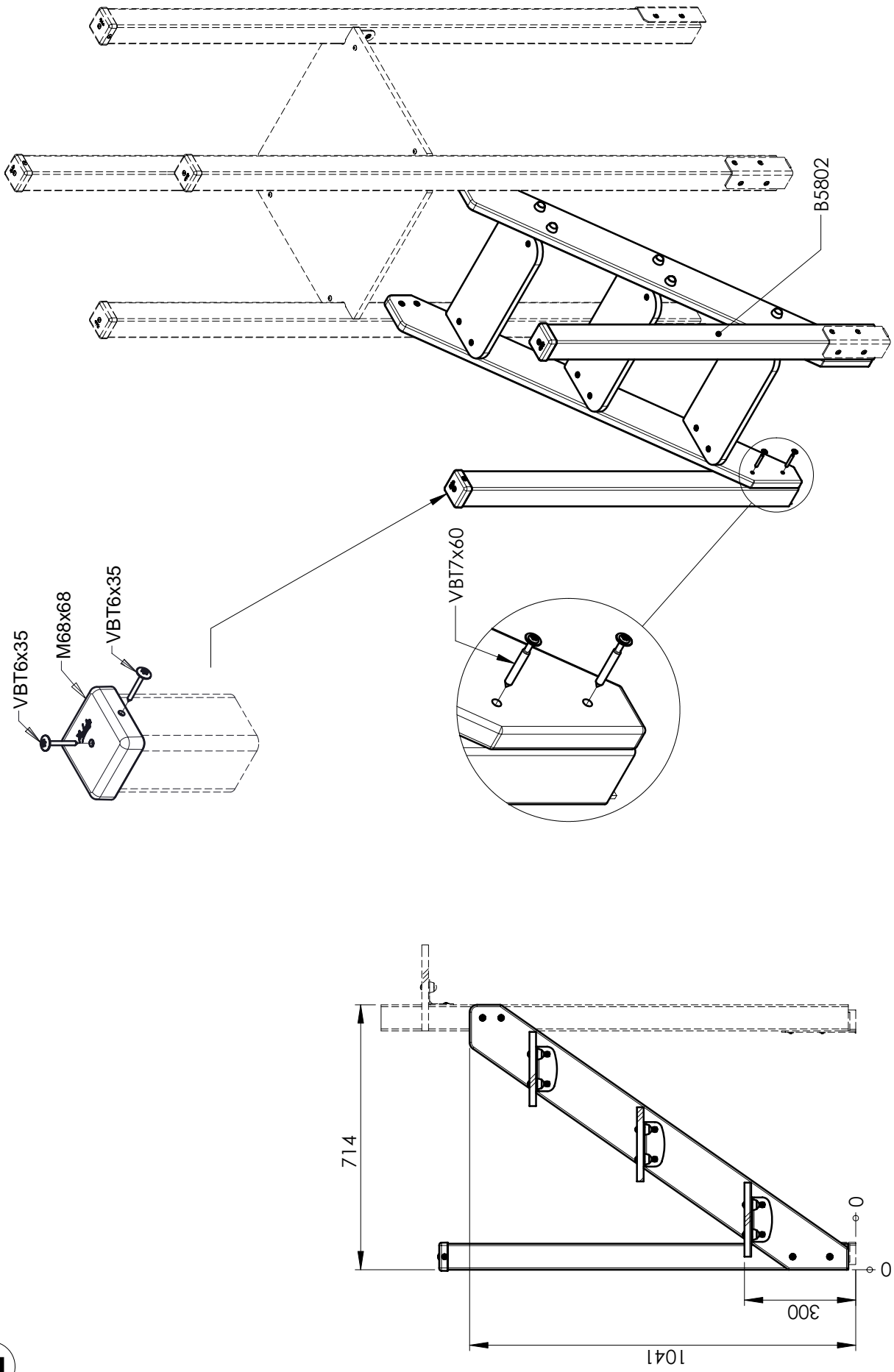
B5801	4
F5805	1
M68x68	4
M8310N	4
M8440N	4
P30	4
VBT6x35	8
VBT7x60	4
VCBHCM8x30I	4
VEFM8	4

1

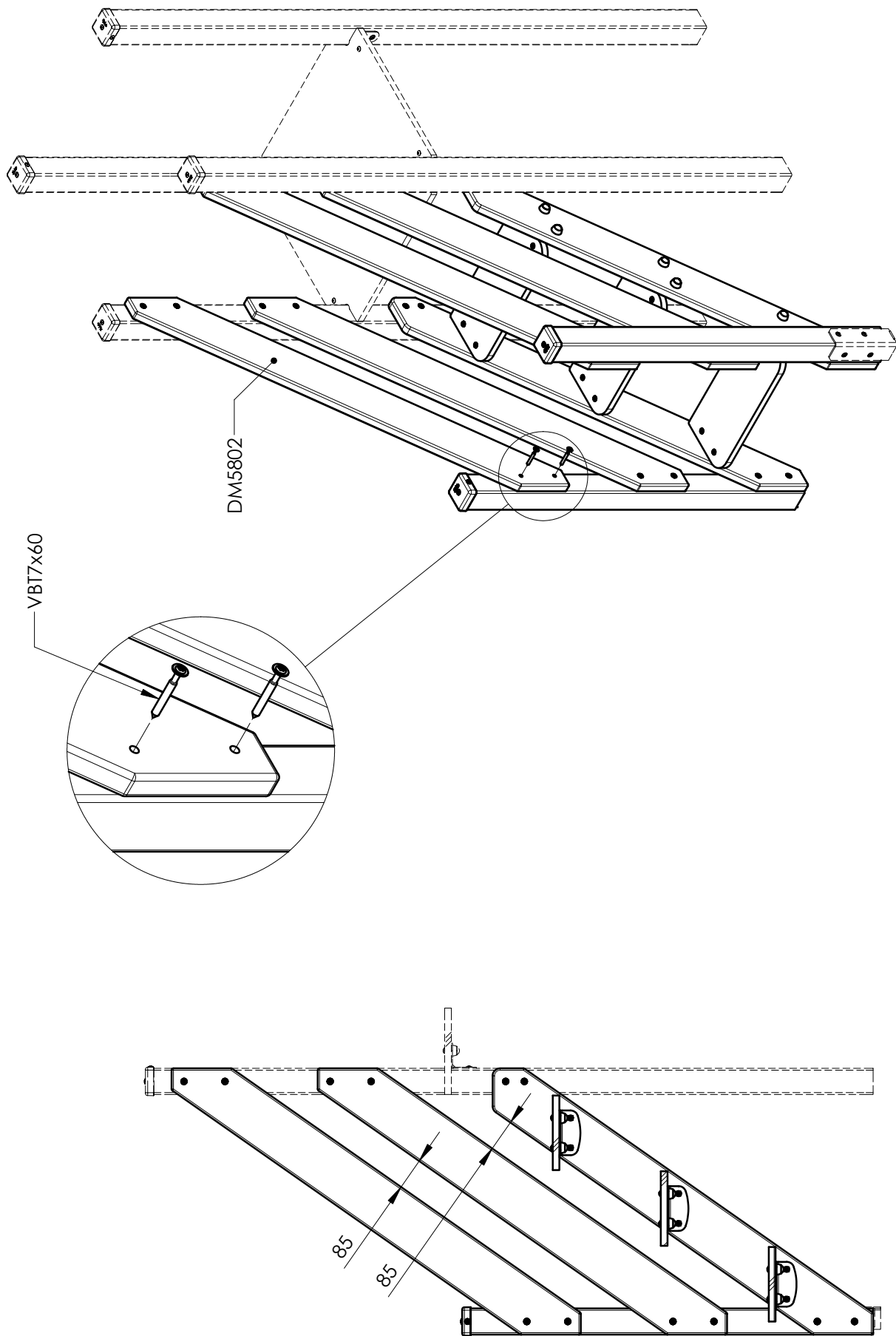


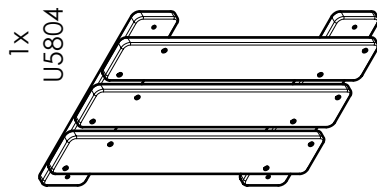
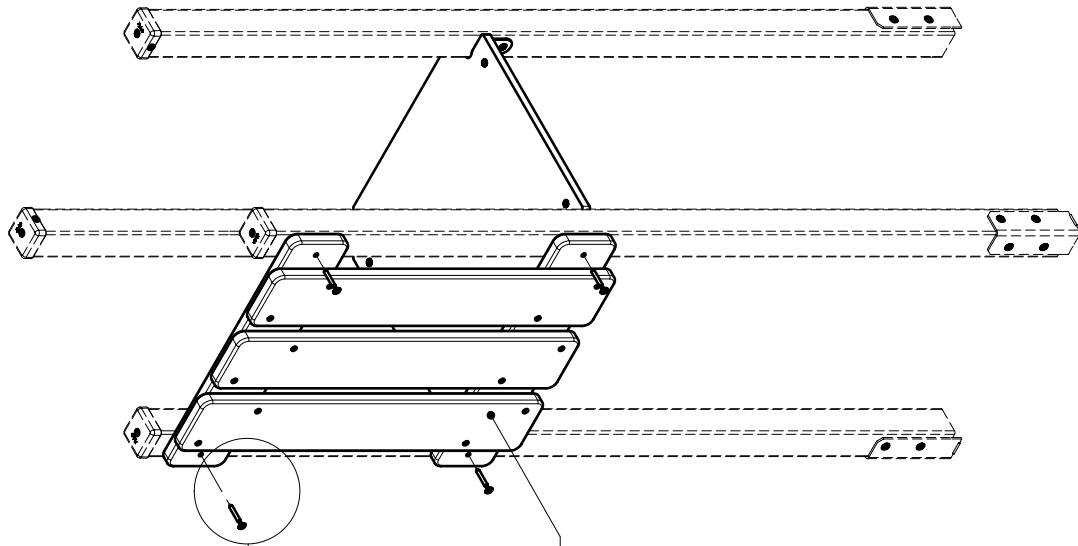
B5802	2
DM5802	4
DM5803	2
F5810	3
M68x68	2
M8310N	24
M8440N	24
P5800	6
VT6x35	4
VT7x60	24
VCBHCM8x30I	12
VCBHCM8x40I	12
VEFM8	24

2

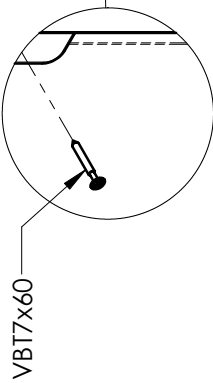


2

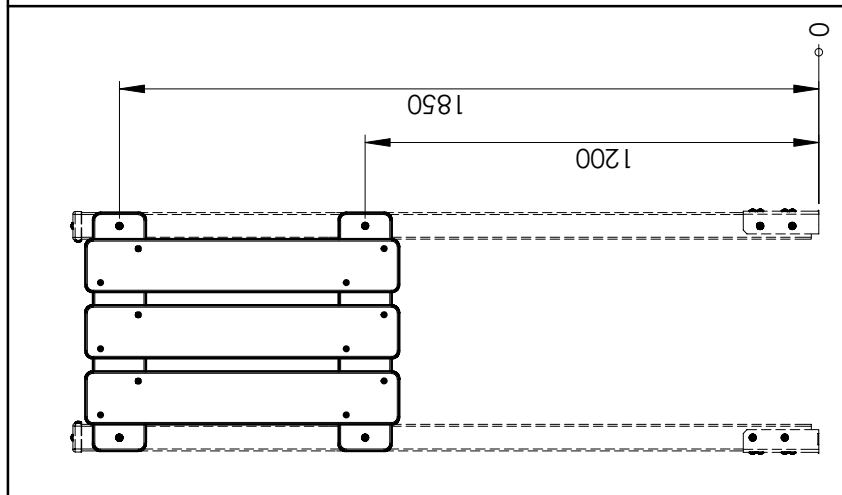
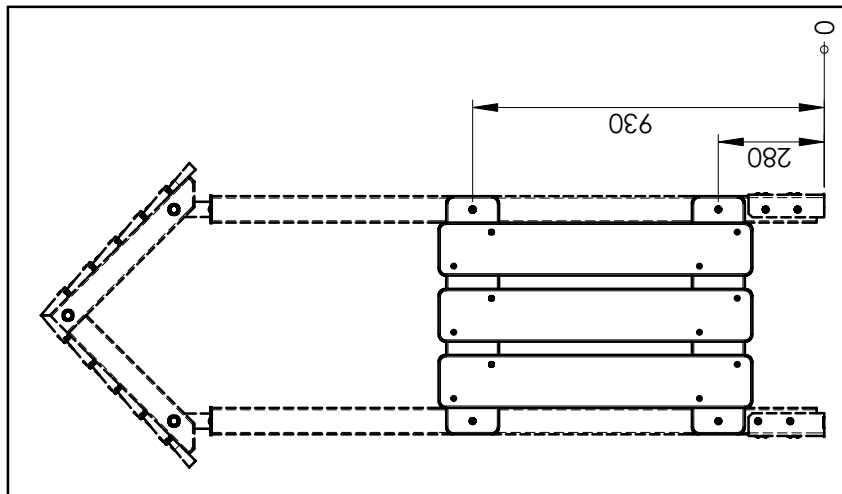




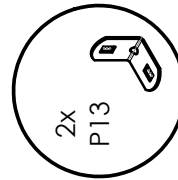
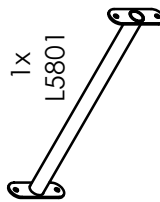
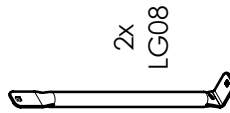
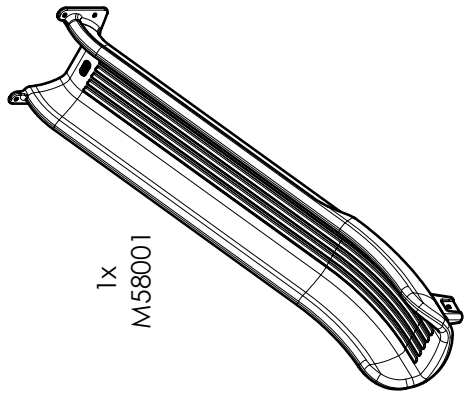
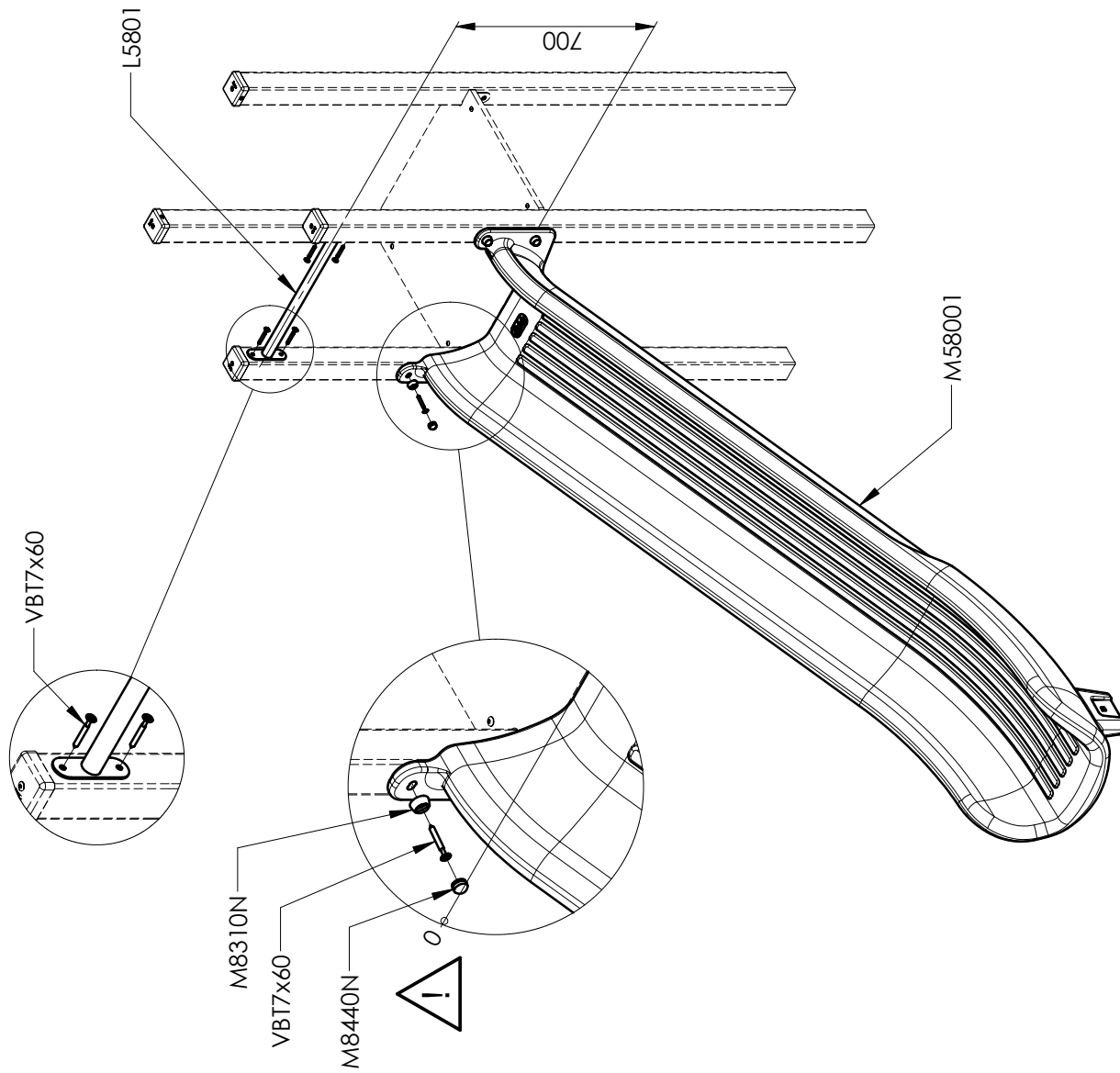
1 x
U5804



VB77x60

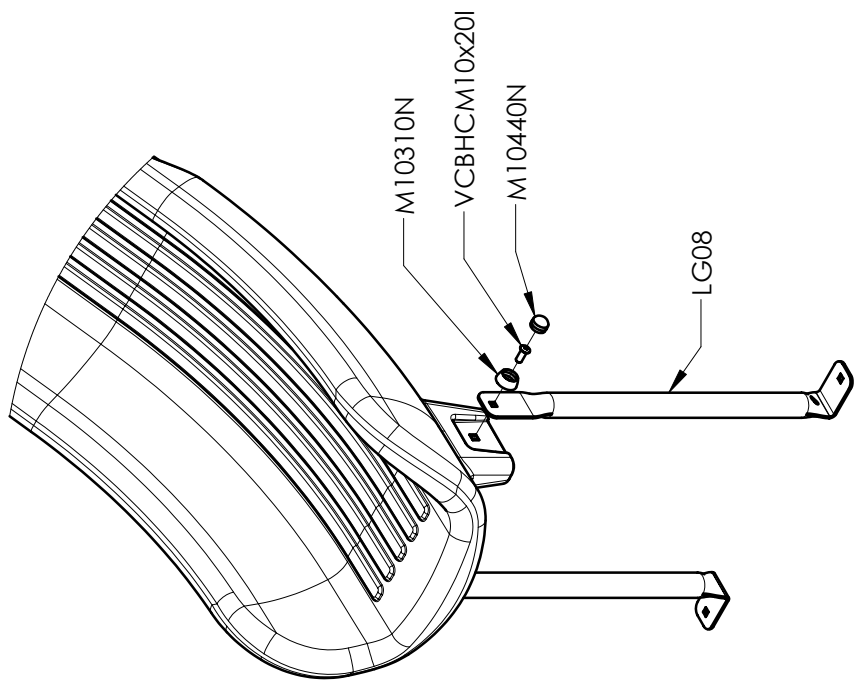
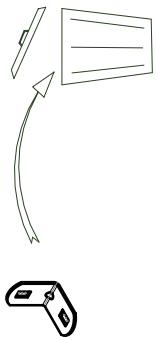


U5804	1	
VB77x60		4



L5801	1
M8310N	4
M8440N	4
M10310N	2
M10440N	2
M58001	1
VBT7x60	8
VCBHC10x20I	2

A



B

